



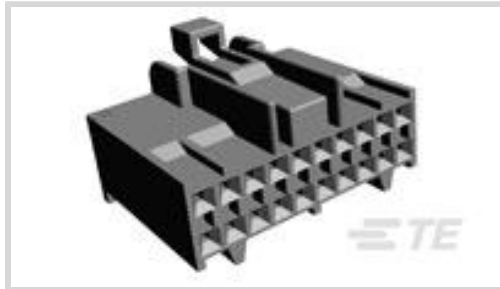
AMP

TE Internal #: 172047-2

Housing for Female Terminals, Wire-to-Board / Wire-to-Device, 20 Position, .118 in [3 mm] Centerline, Black, Signal, Cable Mount (Free-Hanging)

[View on TE.com >](#)

Connectors > Automotive Connectors > Automotive Housings



Connector & Housing Type: **Housing for Female Terminals**

Mating Tab Width: **.64 mm, 1.5 mm [.025 in, .059 in]**

Connector System: **Wire-to-Board, Wire-to-Device**

Number of Positions: **20**

Centerline (Pitch): **3 mm [.118 in]**

Features

Product Type Features

Connector Shape	Rectangular
Connector & Housing Type	Housing for Female Terminals
Connector System	Wire-to-Board, Wire-to-Device
Sealable	No
Hybrid Connector	No
Primary Locking Feature	On the Terminal

Configuration Features

Number of Positions	20
Number of Rows	2

Electrical Characteristics

Operating Voltage	12 VDC
Nominal Voltage Architecture	12 V

Body Features

Cable Exit Angle	180°
Primary Product Color	Black

Contact Features

Contact Size	.64mm
Contact Type	Receptacle



Mating Tab Width	.64 mm, 1.5 mm [.025 in][.059 in]
------------------	-----------------------------------

Mechanical Attachment

Terminal Position Assurance	No
Strain Relief	Without
Mating Alignment Type	Polarized
Mating Alignment	With
Connector Mounting Type	Cable Mount (Free-Hanging)

Housing Features

Housing Material	PA
Centerline (Pitch)	3 mm [.118 in]

Dimensions

Connector Height	19.7 mm [.776 in]
Product Width	32 mm [1.26 in]
Row-to-Row Spacing	3.5 mm [.138 in]

Usage Conditions

Operating Temperature (Max)	70 °C, 75 °C, 80 °C, 85 °C, 90 °C, 100 °C, 105 °C [158 °F][167 °F][176 °F][185 °F][194 °F][212 °F][221 °F]
Operating Temperature Range	-30 – 105 °C [-22 – 221 °F]

Operation/Application

Circuit Application	Signal
---------------------	--------

Industry Standards

UL Flammability Rating	UL 94HB
------------------------	---------

Packaging Features

Packaging Method	Loose Piece
------------------	-------------

Other

Serviceable	Yes
Connector Position Assurance Capable	No

Product Compliance

[For compliance documentation, visit the product page on TE.com>](#)

EU RoHS Directive 2011/65/EU	Compliant
------------------------------	-----------



EU ELV Directive 2000/53/EC	Compliant
China RoHS 2 Directive MIIT Order No 32, 2016	No Restricted Materials Above Threshold
EU REACH Regulation (EC) No. 1907/2006	Current ECHA Candidate List: JUNE 2023 (235) Candidate List Declared Against: JAN 2023 (233) Does not contain REACH SVHC
Halogen Content	Low Halogen - Br, Cl, F, I < 900 ppm per homogenous material. Also BFR/CFR/PVC Free
Solder Process Capability	Not applicable for solder process capability

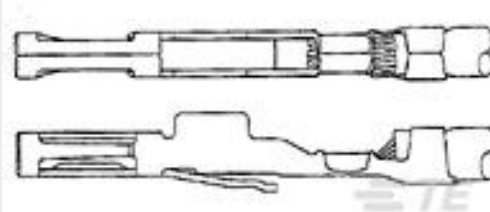
Product Compliance Disclaimer

This information is provided based on reasonable inquiry of our suppliers and represents our current actual knowledge based on the information they provided. This information is subject to change. The part numbers that TE has identified as EU RoHS compliant have a maximum concentration of 0.1% by weight in homogenous materials for lead, hexavalent chromium, mercury, PBB, PBDE, DBP, BBP, DEHP, DIBP, and 0.01% for cadmium, or qualify for an exemption to these limits as defined in the Annexes of Directive 2011/65/EU (RoHS2). Finished electrical and electronic equipment products will be CE marked as required by Directive 2011/65/EU. Components may not be CE marked. Additionally, the part numbers that TE has identified as EU ELV compliant have a maximum concentration of 0.1% by weight in homogenous materials for lead, hexavalent chromium, and mercury, and 0.01% for cadmium, or qualify for an exemption to these limits as defined in the Annexes of Directive 2000/53/EC (ELV). Regarding the REACH Regulation, the information TE provides on SVHC in articles for this part number is based on the latest European Chemicals Agency (ECHA) 'Guidance on requirements for substances in articles' posted at this URL: <https://echa.europa.eu/guidance-documents/guidance-on-reach>

Compatible Parts



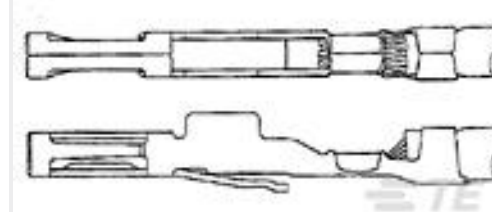
TE Part # CAT-T319-T273
TH/.025 CONNECTOR SYSTEM,
RECPT AND TAB



TE Part # 1-170291-1
DLI REC CONTACT



TE Part # 172850-2
DLI DOUBLE LOCK PLUG HSG 20P



TE Part # 1-170291-4
DLI REC CONTACT



TE Part # 172851-1
20P LOCKING DLI DBL LOCK

Customers Also Bought



TE Part #1-1123722-0
3.96 EP PLUG HSG 10P(NATURAL)



TE Part #172246-2
DLI CONN. 8 POS. RECEPT.



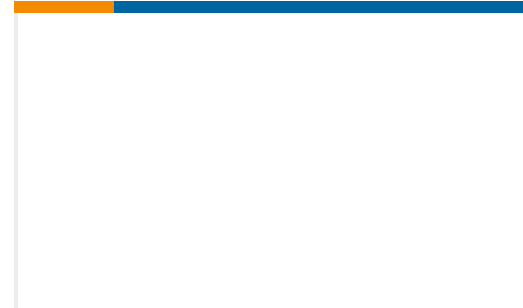
TE Part #172245-2
12P DLI PLUG HSG



TE Part #170002-4
SHUR PLUG 20-14 AWG 0.5 X 11.44
TPBR



TE Part #170923-1
CMNL PLG 2P FREE HNG



TE Part #174396-2
MIC-MK2 DBL LOCK PLATE 7POS.



TE Part #174399-2
MIC-MK2 DBL LOCK PLATE 13POS.



TE Part #174397-2
MIC MK-2 DBL LOCK PLATE 9P

Documents

Product Drawings

DLI HSG 20 POS MOD IV TYPE

Japanese

CAD Files

Customer View Model

[ENG_CVM_172047-2_O.3d_igs.zip](#)

English

Customer View Model

[ENG_CVM_172047-2_O.3d_stp.zip](#)

English

Customer View Model

[ENG_CVM_172047-2_O.2d_dxf.zip](#)

English

3D PDF

English

By downloading the CAD file I accept and agree to the [Terms and Conditions](#) of use.

Product Specifications

Product Specification

Japanese

Instruction Sheets

Customer Manual (non U.S.)

Japanese

Customer Manual (non U.S.)

English



[DLI CONNECTORS](#)

English

[Customer Manual \(non U.S.\)](#)

English

[DLI CONNECTORS](#)

English

[Agency Approvals](#)

[Agency Approval Document](#)

English