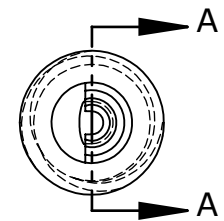
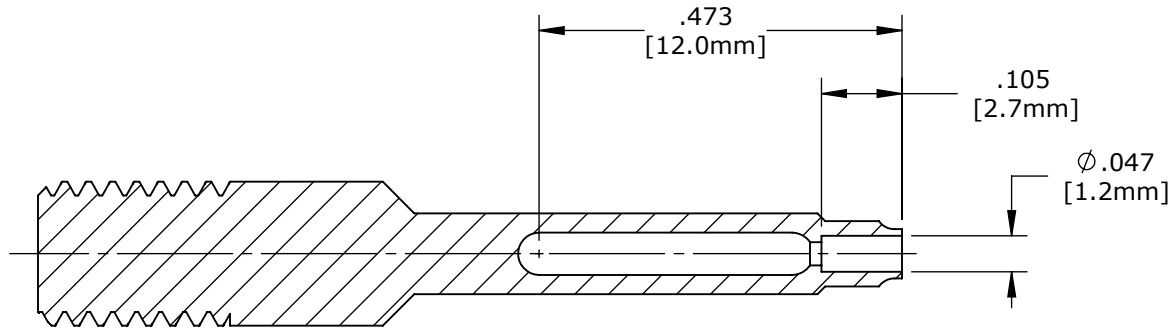
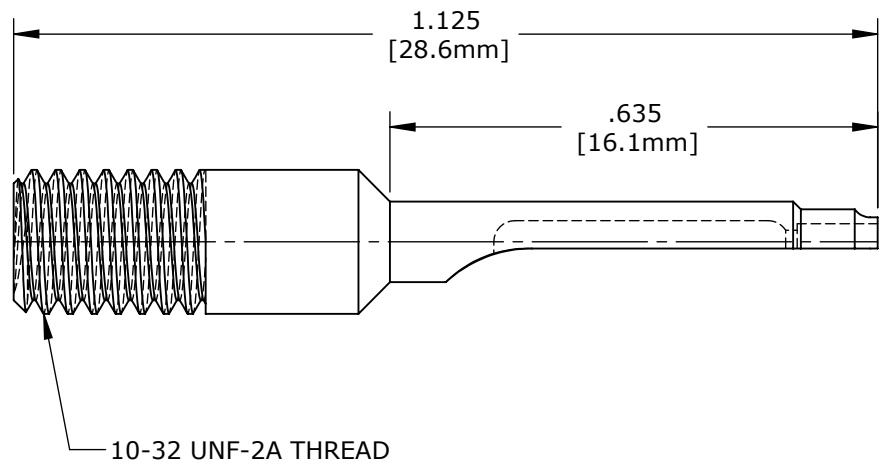


- NOTES:**
1. MATERIAL: STAINLESS STEEL.
 2. HEAT TREAT: FINISHED HARDNESS
 3. ALL DIMENSION FOR REFERENCE ONLY.




SECTION A-A



PROPRIETARY

THIS DOCUMENT CONTAINS CONFIDENTIAL INFORMATION PROPRIETARY TO CONXALL CORPORATION. ANY REPRODUCTION, DISCLOSURE, OR USE OF THIS DOCUMENT /INFORMATION IS EXPRESSLY PROHIBITED UNLESS AUTHORIZED IN WRITING BY CONXALL CORPORATION.

DIMENSIONS IN BRACKETS [] ARE METRIC

D	AN	06-13-17	CREATED SHEET PER DOR 17-7819JS		
REV.	INIT.	DATE	DESCRIPTION		
ALL INFORMATION ILLUSTRATED IS THE PROPERTY OF "CONXALL CORPORATION." UNAUTHORIZED DUPLICATION OR DISTRIBUTION OF THIS DOCUMENT IS PROHIBITED.			ORIG. DRAWN BY:	DATE:	 601 E. WILDWOOD VILLA PARK, IL 60181
ALL UNITS ARE IN FEET, INCHES, FRACTION OF INCHES AND DECIMALS.			PAK	01/25/11	
≡ CRITICAL CHARACTERISTIC FLAG PER SPEC. XXXX			CHECKED BY:		TITLE: CONTACT INSERTION BIT #26 CONTACTS PIN / SOCKET SIZE 24 AWG BARREL CUSTOMER: STANDARD PRODUCT
			APPROVED BY:		
SCALE	SIZE	SHEET	PART NUMBER: 356-26		
NTS	A	1 OF 1	FILE:	DIRECTORY:	REV
			356-26	SLW	D