

RoHS COMPLIANT BY EXEMPTION

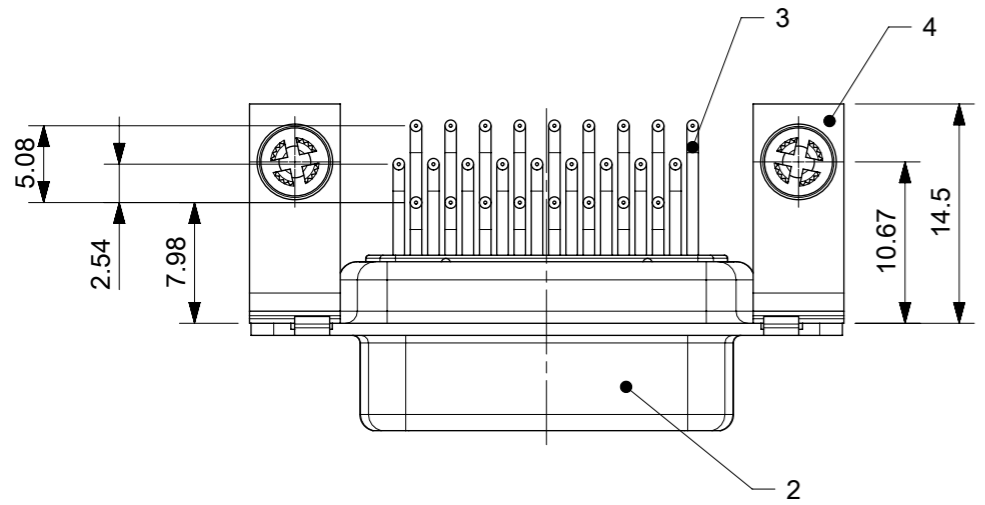


TABLE FOR PART NUMBERS

MOLEX PART#	FCT PART#	X-X	A[mm]	B[mm]	C[mm]	E*[mm]	F*[mm]	NO. OF CONTACTS 1./2./3. ROW	FORMERLY PART NO
1731130157	F15-26S135G0-5979	15-26	39.1	24.7	33.3	Ø1	Ø3	9/9/8	CT15-26S135-5805
1731130158	F25-44S135G0-5979	25-44	53	38.5	47.04			15/15/14	CT25-44S135-5805

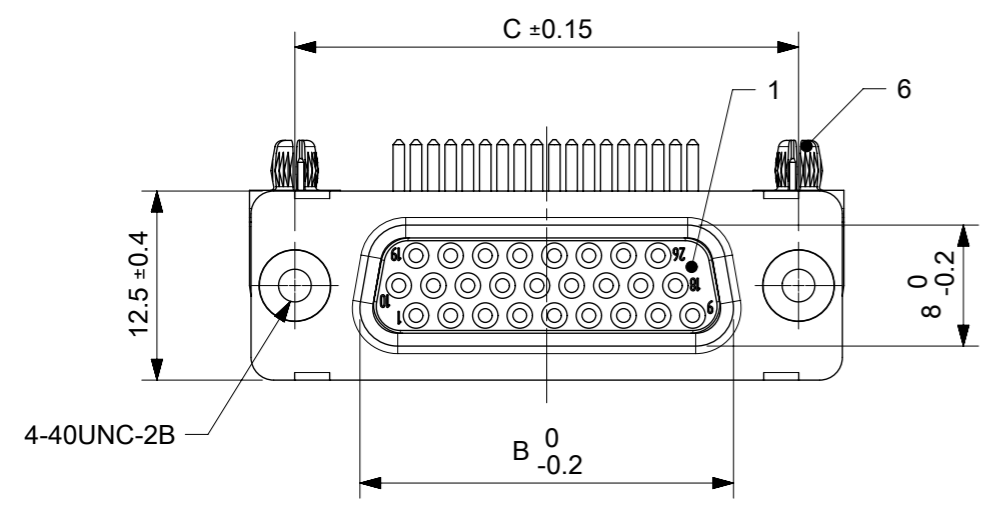
*PCB HOLE PATTERNS, ØE, ØF, ON SUPPLEMENT 1731131003

TABLE FOR GENERAL TOLERANCES

PERMISSIBLE DEVIATIONS FOR BASIC SIZE RANGE				
0.5 UPTO 3	OVER 3 UPTO 6	OVER 6 UPTO 30	OVER 30 UPTO 120	OVER 120 UPTO 400
±0.1	±0.1	±0.2	±0.3	±0.5

X-X NO. OF CONTACTS 09-15, 15-26, 25-44

NO.	St.	PART	TYPE DESCRIPTION/MATERIAL	SURFACE PLATING/COLOUR/CLASS
6	2	SNAP-IN RIVET	PCB 1.6mm / BRASS	TIN PLATED
5	2	CLINCH NUT	4-40 / STEEL	TIN PLATED
4	2	BRACKET	F1080-29 / STEEL	TIN PLATED
3	X-X	SIGNAL CONTACT, MACHINED	HS135 / BRASS	0.8µm Au
2	1	SHELL	STEEL	TIN PLATED
1	1	INSULATOR	THERMOPLASTIC, GF	BLACK



THIS DRAWING CONTAINS INFORMATION THAT IS PROPRIETARY TO MOLEX ELECTRONIC TECHNOLOGIES, LLC AND SHOULD NOT BE USED WITHOUT WRITTEN PERMISSION

DIMENSION UNITS mm	SCALE 2:1	CURRENT REV DESC: OBSOLETE PART NUMBER AS PER PCN#509457.	<p>HPD HIGH DENSITY D-SUB, RIGHT ANGLE PCB CONNECTOR, WITH MACHINED FEMALE SOCKET CONTACTS</p>			
GENERAL TOLERANCES (UNLESS SPECIFIED)		EC NO: 680890				DOCUMENT NUMBER
ANGULAR TOL ± °		DRWN: SANTHN	2021/06/01			
4 PLACES ±		CHK'D: GGA	2021/11/25			
3 PLACES ±		APPR: GGA	2021/11/25			
2 PLACES ±		INITIAL REVISION:				
1 PLACE ±		DRWN: RLALSANGI	2017/04/14			
0 PLACES ±		APPR: ISHWARG	2017/06/07			
DRAFT WHERE APPLICABLE MUST REMAIN WITHIN DIMENSIONS	THIRD ANGLE PROJECTION	DRAWING	SERIES	MATERIAL NUMBER	CUSTOMER	SHEET NUMBER
		A3-SIZE	173113	SEE TABLE	GENERAL MARKET	1 OF 1

