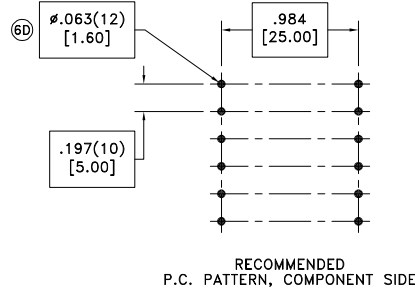
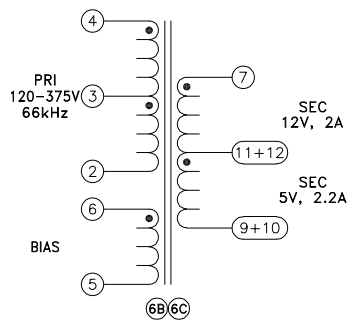
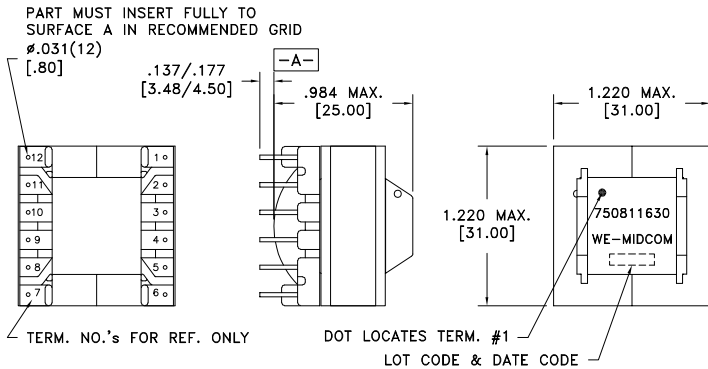


CUSTOMER TERMINAL	RoHS	LEAD(Pb)-FREE
Sn96%, Ag4%	Yes	Yes



ELECTRICAL SPECIFICATIONS @ 25°C unless otherwise noted:

PARAMETER	TEST CONDITIONS	VALUE
D.C. RESISTANCE	2-3 @20°C	0.300 ohms ±20%
D.C. RESISTANCE	3-4 @20°C	0.205 ohms ±20%
D.C. RESISTANCE	5-6 @20°C	0.020 ohms ±20%
D.C. RESISTANCE	7-11 @20°C	0.010 ohms ±20%
D.C. RESISTANCE	9-11 tie(9+10, 11+12), @20°C	0.005 ohms max.
INDUCTANCE	2-4 10kHz, 100mVAC, Ls	1.04mH ±10%
LEAKAGE INDUCTANCE	2-4 tie(5+6, 7+9+10+11+12), 100kHz, 100mVAC, Ls	15uH max.
DIELECTRIC	3-11 4500VAC, 1 second	4500VAC, 1 minute
DIELECTRIC	6-11 4500VAC, 1 second	4500VAC, 1 minute
DIELECTRIC	3-6 625VAC, 1 second	500VAC, 1 minute
URNS RATIO	(3-2):(4-3)	1:1, ±1%
URNS RATIO	(4-2):(6-5)	10:1, ±1%
URNS RATIO	(4-2):(7-11)	17.5:1, ±1%
URNS RATIO	(4-2):(11-9)	23.33:1, ±1%
URNS RATIO	(4-2):(12-10)	23.33:1, ±1%



GENERAL SPECIFICATIONS:

OPERATING TEMPERATURE RANGE: -40°C to +125°C including temp rise.

- Ⓞ Designed to comply with the following requirements as defined by IEC61558-2-17:
- Ⓞ - Reinforced insulation for a primary circuit at a working voltage of 250VAC.

REV.	DATE	Packaging Specifications	
6G	2/21	Method: Tray	
6F	1/12	PKG-0872	
6E	11/11	www.we-online.com/midcom	
6D	4/11	SEE REVISION SHEET FOR REVISION LEVEL	

Tolerances unless otherwise specified:
 Angles: ±1° Decimals: ±.005 [.13]
 Fractions: ±1/64 Footprint: ±.001 [.03]

This drawing is dual dimensioned. Dimensions in brackets are in millimeters.

DRAWING TITLE
TRANSFORMER

eiSos p/n: 750811630

PART NO.
750811630

SPECIFICATION SHEET 1 OF 1