

MATERIALS AND FINISHES

BODY, JAM NUT, WASHER BRASS
PLATED GOLD

CENTER CONTACT PHOSPHOR BRONZE
PLATED GOLD

INSULATOR TEFLON

LOCKWASHER PHOSPHOR BRONZE
PLATED GOLD

2.54 REF
.100
2 PLACES

2.54 REF
.100
2 PLACES

1.20 REF
.047
4 PLACES

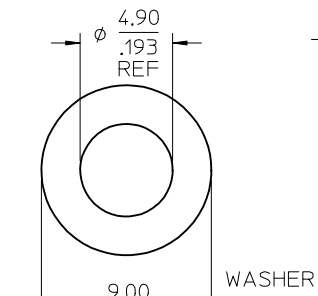
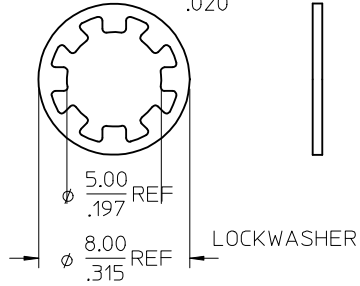
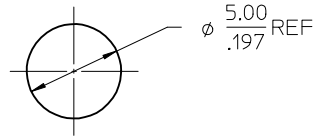
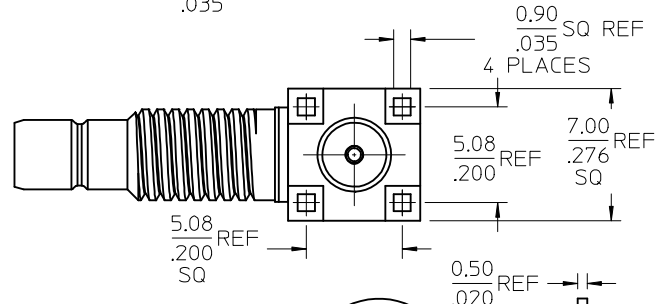
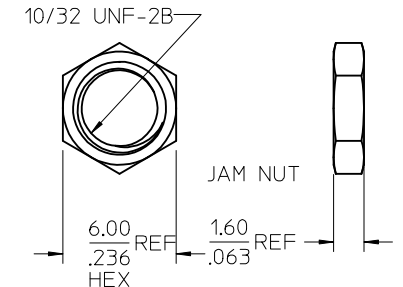
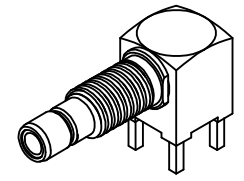
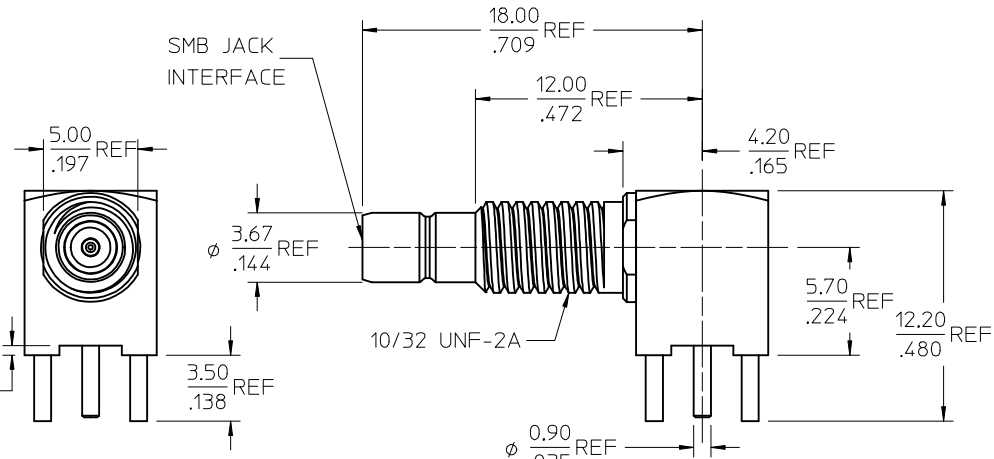
1.60 REF
.063
4 PLACES

RECOMMENDED PCB HOLE

NOTE:

RF LEAKAGE AND VSWR ARE NOT
APPLICABLE IN 73598-0099

RECOMMENDED MOUNTING HOLE
PANEL THICKNESS: 3.70(146) MAX
RECOMMENDED MOUNTING TORQUE:
0.51 N-m(4.50 IN-LBS) MAX



MIL-STD-348A, FIG 311.1	INTERFACE
PS-73598-0099	PRODUCT SPECIFICATION
SPECIFICATION	DESCRIPTION

73396-0570	SMALL TRAY PACKING (20 PCS)
73404-2270	73100-0097, ONE PER BAG
73100-0097	PLASTIC TRAYS (50 PCS)
PART NO.	PACKAGING

ADDED QUANTITIES PER RF15-E413	EC NO: URF2016-0432	DRW IN LIN 2015/12/04	CHKD: 2015/12/15	APPR: YCHENG	DESCRIPTION
QUALITY SYMBOLS ▽=0 ▽=0					

GENERAL TOLERANCES (UNLESS SPECIFIED)	DIMENSION STYLE	SCALE	DESIGN UNITS	THIRD ANGLE PROJECTION
mm INCH	MM/IN	METRIC		

DRAWN BY	DATE	TITLE
MARTIN	1993/07/29	SMB JACK,R/A PCB,50 OHMS SMB-J/RA/PCB
CHECKED BY	DATE	
APPROVED BY	DATE	

MATERIAL NO.	DOCUMENT NO.	SHEET NO.
SEE TABLE	SD-73100-0097	1 OF 1

MOLEX INCORPORATED	
THIS DRAWING CONTAINS INFORMATION THAT IS PROPRIETARY TO MOLEX INCORPORATED AND SHOULD NOT BE USED WITHOUT WRITTEN PERMISSION	