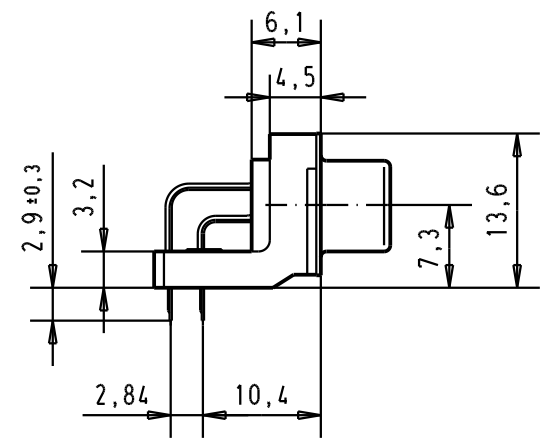
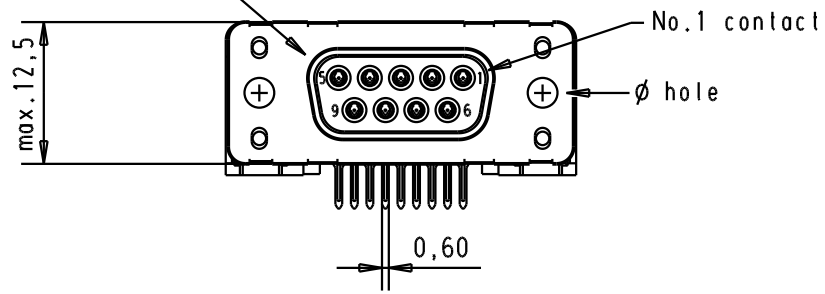
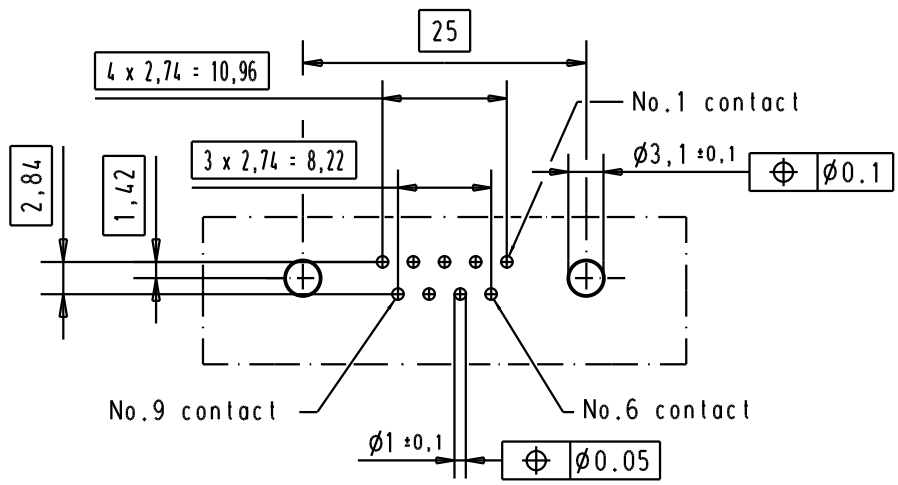
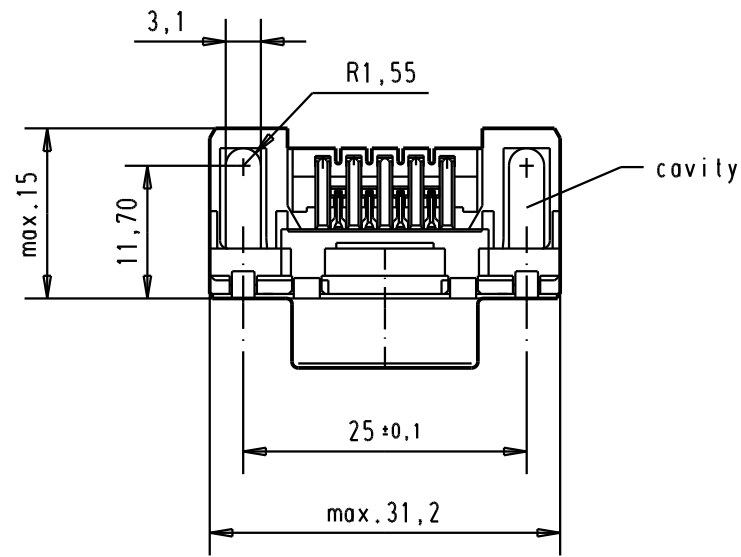


5 4 3 2 1

Mating face according to : MIL-C-24308 / DIN 41652 / CECC 75301-802



Printed board layout component side



						Det.	Name	<p>All Dim. in mm Orig. Size DIN A 4</p>	D-Sub 09 poles standard angle female, solder pin with hole	Moßstab/ Scale	
						Insp.				TB 0966113x60x	1.5:1
						Stand.					Blatt/ Page
09 66 113 3600	3.1 ± 0.1	1	31892	05/05/04	JH	HARTING EURL F-95972 Paris		Sub.	1		
09 66 113 6600	3.1 ± 0.1	2	29773	18-APR-02	CV						
09 66 113 7600	3.1 ± 0.1	3	27960	30/nov/00	ALSPACE						
Part number	ø hole	Performance level	Mod.	Dat.	Name						

