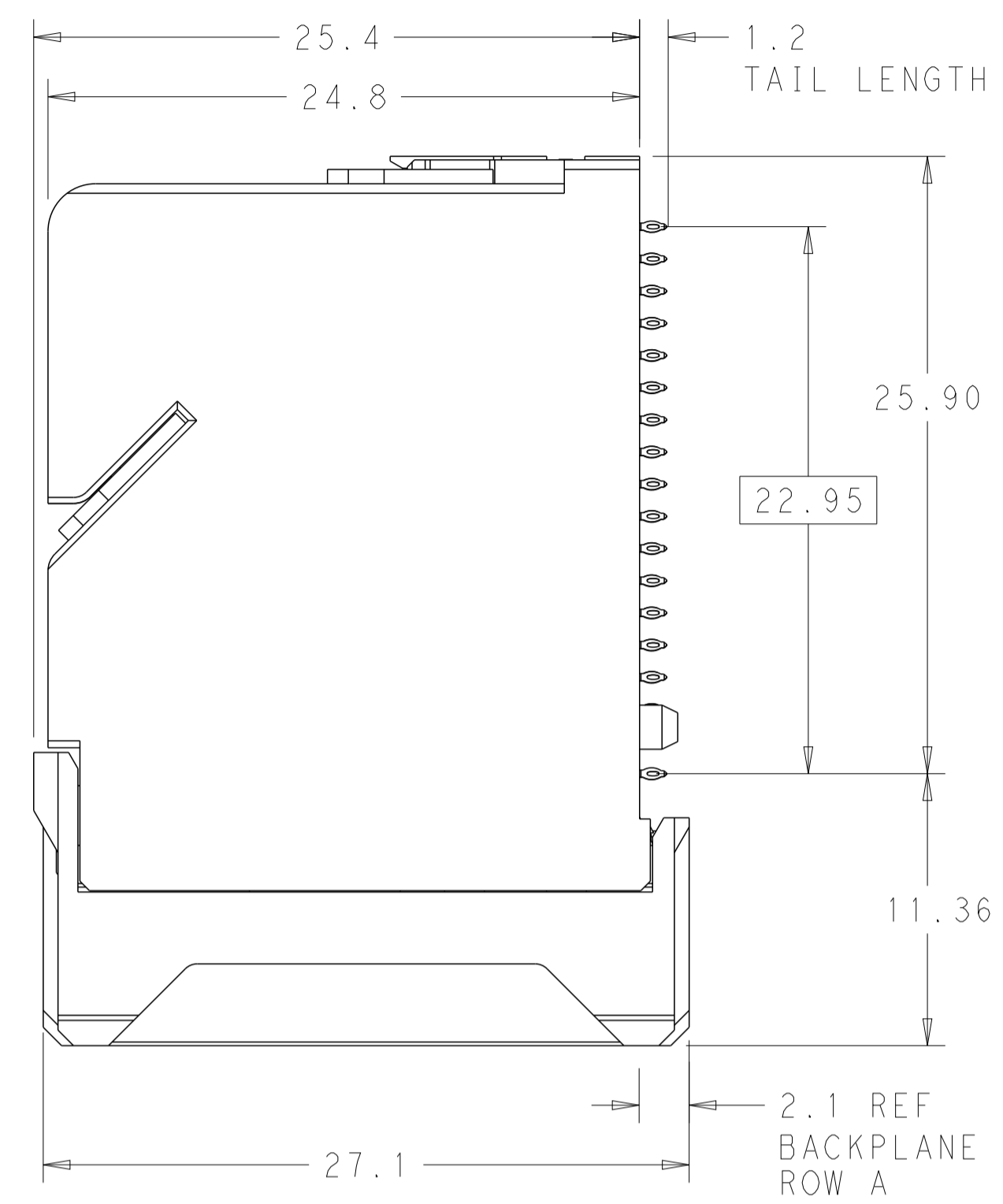
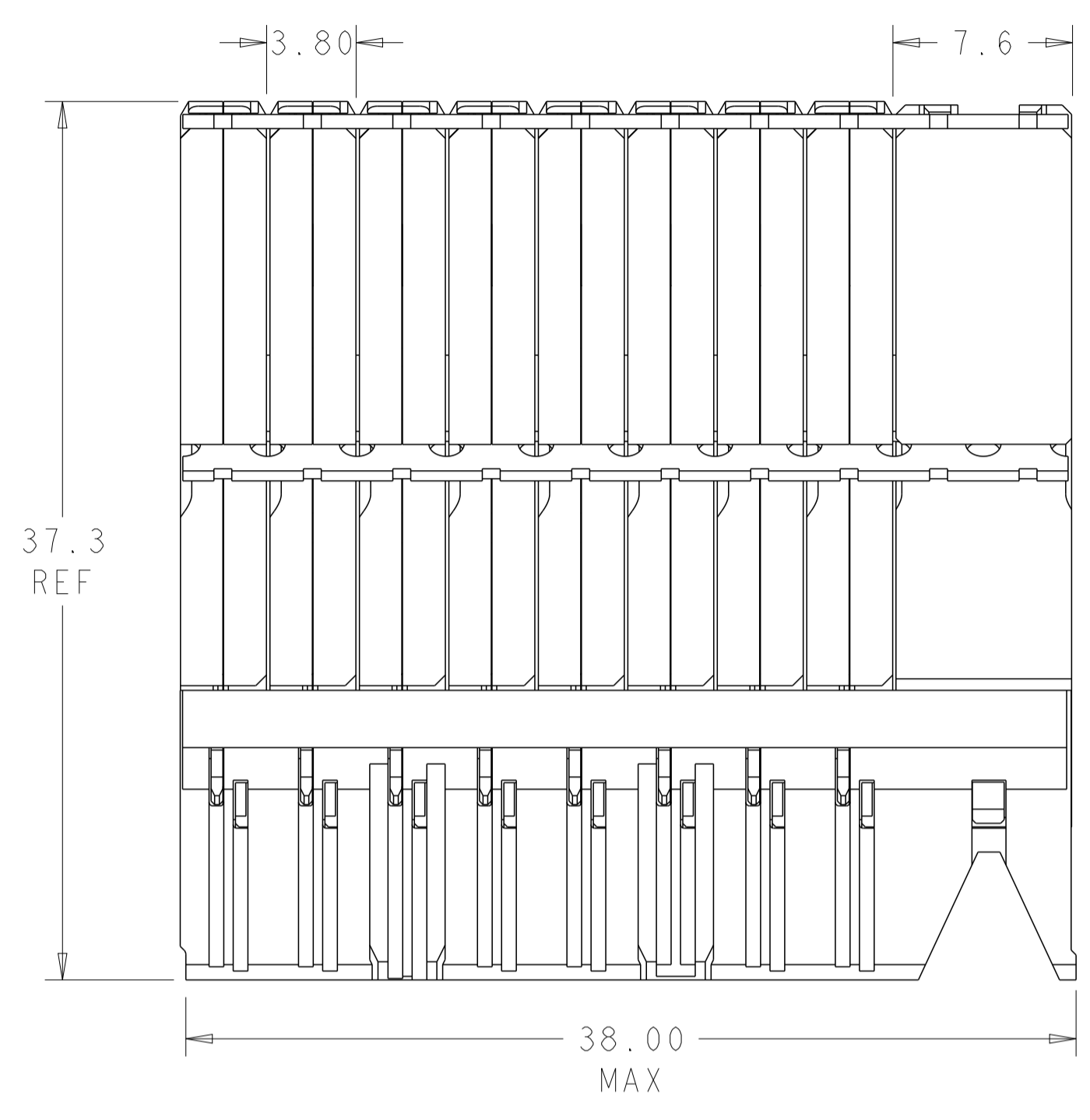
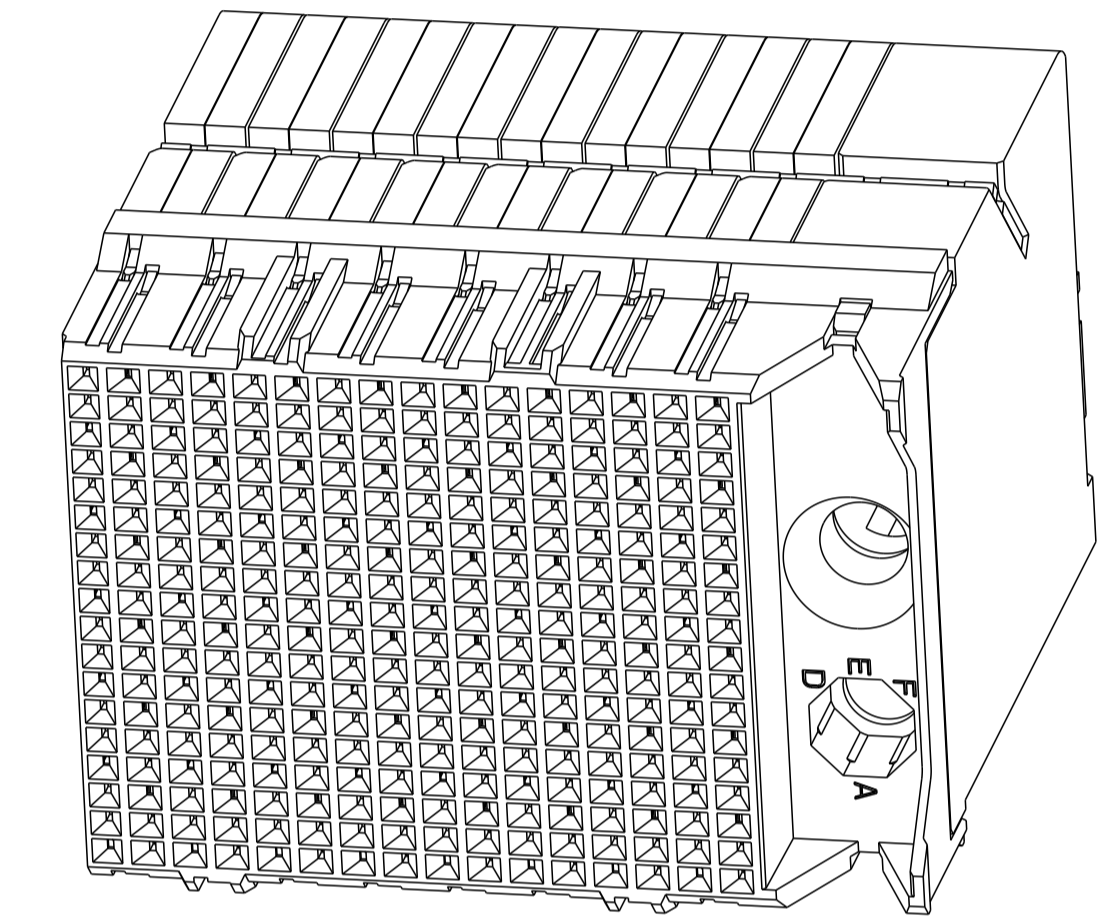


REVISIONS				
P.	LTN.	DESCRIPTION	DATE	APVD.
E		REVISED PER ECO-15-012351	03SEP2015	AP SY

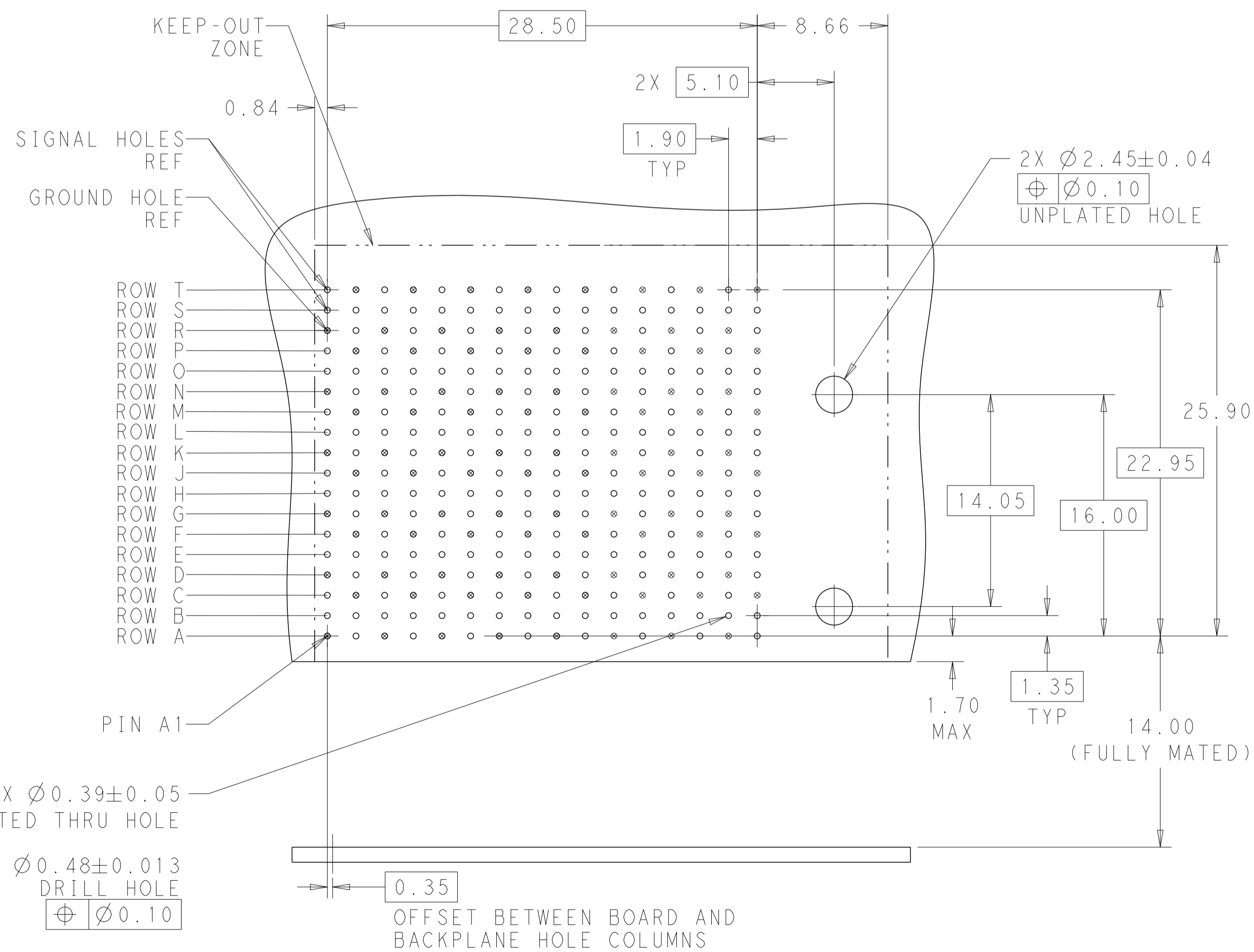
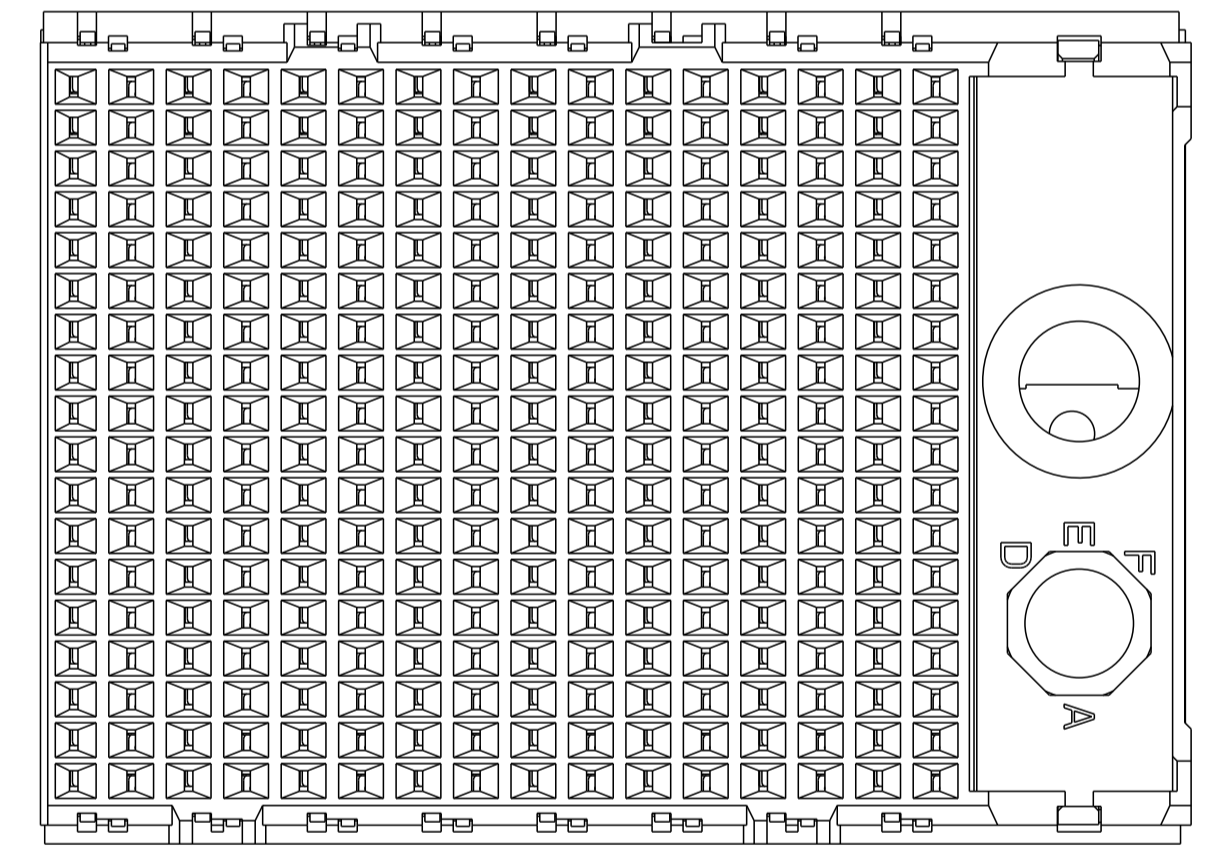


- ⚠ MATERIAL:  
HOUSING: LCP, GLASS FILLED, UL94V-0.  
TERMINALS: HIGH PERFORMANCE COPPER ALLOY.
- ⚠ FINISH:  
30μ" SELECTIVE GOLD IN CONTACT AREA. SELECTIVE TIN ON PCB TAILS, NICKEL OVERALL.
- 3. CONNECTORS SUPPLIED WITH MOUNTING SCREWS.



SCALE 3:1

REFER TO WWW.TE.COM FOR PRODUCT AVAILABILITY



KEY POSITION CHART	
	NONE
	A
	B
	C
	D
	E
	F
	G
	H

H	⚠	8-2007746-1
G	⚠	7-2007746-1
F	⚠	6-2007746-1
E	⚠	5-2007746-1
D	⚠	4-2007746-1
C	⚠	3-2007746-1
B	⚠	2-2007746-1
A	⚠	1-2007746-1
NONE	⚠	2007746-1
KEY POSITION	FINISH	PART NUMBER

288X Ø0.39±0.05 PLATED THRU HOLE  
 288X Ø0.48±0.013 DRILL HOLE  
 Ø0.10

0.35  
 OFFSET BETWEEN BOARD AND BACKPLANE HOLE COLUMNS  
 RECOMMENDED PCB LAYOUT  
 MIN BOARD THICKNESS 1.0

THIS DRAWING IS A CONTROLLED DOCUMENT.

DIMENSIONS:	TOLERANCES UNLESS OTHERWISE SPECIFIED:	0 PLC ±	1 PLC ±0.2	2 PLC ±0.13	3 PLC ±	4 PLC ±	ANGLES ±	FINISH SEE TABLE
-------------	--	---------	------------	-------------	---------	---------	----------	------------------

MATERIAL: ⚠

OWN: J. K. SHOBER 07MAR2011	CHK: D. DIXON 07MAR2011	APVD: D. DIXON 07MAR2011	NAME: IMPACT, 6 PAIR, DAUGHTERCARD 16 COLUMN, RIGHT GUIDED, SIGNAL MODULE, 0.39 EYELET
SIZE: A1	CAGE CODE: 00779	DRAWING NO: C=2007746	RESTRICTED TO: -
Customer Drawing	SCALE: 4:1	SHEET: 1 OF 1	REV: E