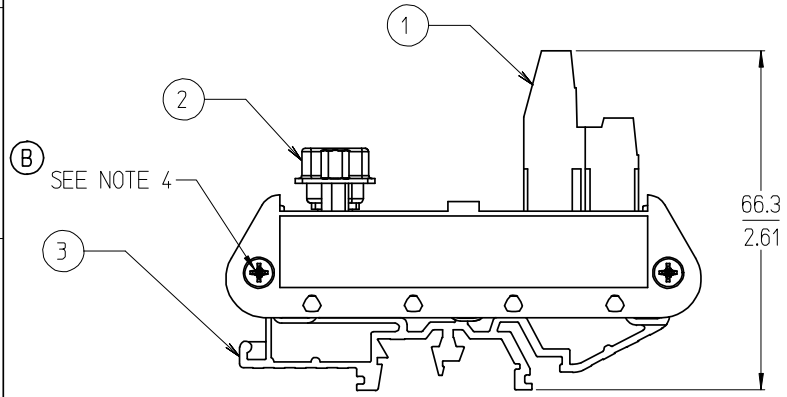


NOTES:

1. MATERIAL: SEE TABLE
2. FINISHES: SEE TABLE
3. MATES WITH: 50 POSITION FEMALE D-SUB
4. END CAP MOUNT SCREW TORQUE: 0.5 N-m (4.4 lbf-in) MINIMUM
0.6 N-m (5.3 lbf-in) MAXIMUM
5. TERMINAL BLOCK SCREW TORQUE: 0.8 N-m (7.1 lbf-in)
6. ASSEMBLY ROHS COMPLIANCE NOT REQUIRED.

TYPICAL SCHEMATIC

(B) SEE NOTE 5



ITEM	QTY.	DESCRIPTION	MATERIAL	FINISH
3	2	DIN RAIL ADAPTOR UNIT	THERMOPLASTIC	BLACK
2	1	MALE D-SUB TO 5.08 FIXED, PC BOARD ASSY.	-	-
1	1	5.08 FIXED, DUAL LEVEL BTS	SEE SD-39880-006	BLACK

ADD SCREW TORQUE EC NO: ETC2007-0331 DRWN: CLYORK CHKD: JMACNEIL APPR: JMACNEIL	2007/03/12 2007/03/14 2007/03/15	QUALITY SYMBOLS ▽=0 ▽=0	GENERAL TOLERANCES (UNLESS SPECIFIED)		DIMENSION STYLE		SCALE	DESIGN UNITS	THIRD ANGLE PROJECTION			
					MM/IN		1:1	INCH				
			4 PLACES	±---	±---	DRAWN BY	DATE	TITLE DIN RAIL INTERFACE MOD, 50 POSITION MALE D-SUB TO 5.08MM 2 LEV. FIXED				
			3 PLACES	±---	±.005	C. YORK	2004/11/15					
2 PLACES	±0.13	±.01	CHECKED BY	DATE	MOLEX INCORPORATED							
1 PLACE	±0.3	±---	R. STONE	2004/11/16								
			ANGULAR ± 2 °		APPROVED BY	DATE						
			DRAFT WHERE APPLICABLE MUST REMAIN WITHIN DIMENSIONS		G. ROBERTSON	2004/11/16						
					MATERIAL NO. 39170-2050		DOCUMENT NO. SD-39170-010		SHEET NO. 1 OF 1			
					THIS DRAWING CONTAINS INFORMATION THAT IS PROPRIETARY TO MOLEX INCORPORATED AND SHOULD NOT BE USED WITHOUT WRITTEN PERMISSION							