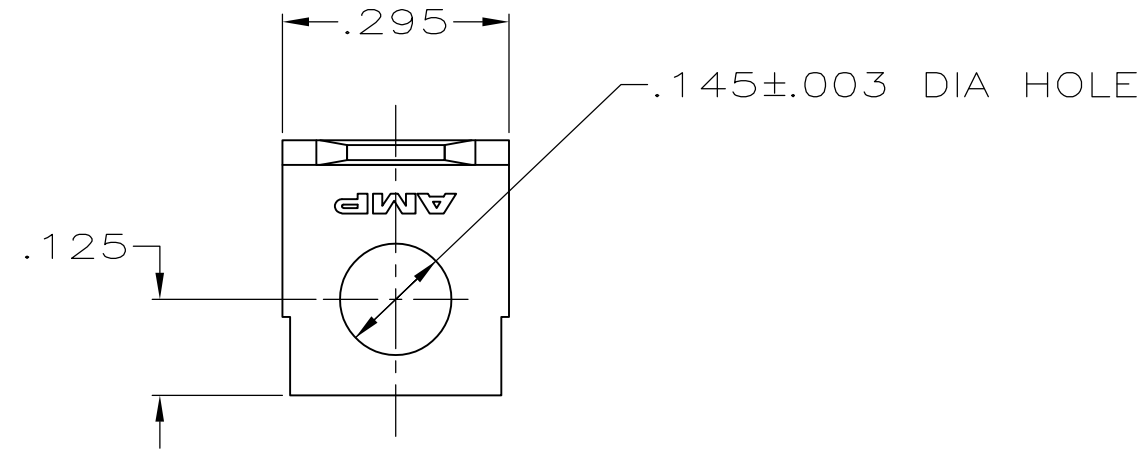
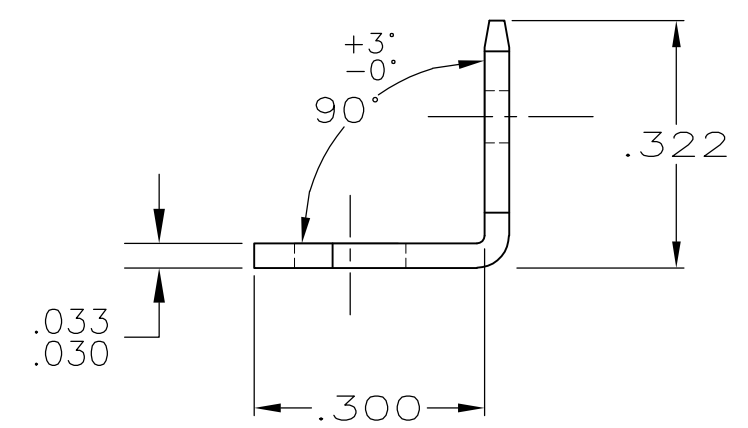
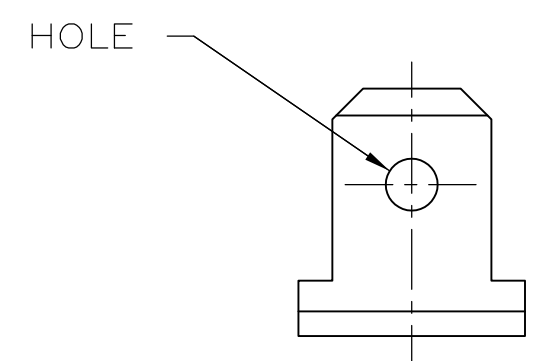


THIS DRAWING IS UNPUBLISHED. RELEASED FOR PUBLICATION
 © COPYRIGHT - By - ALL RIGHTS RESERVED.


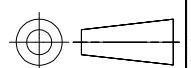
LOC	DIST	REVISIONS					
AF	50	P	LTR	DESCRIPTION	DATE	DWN	APVD
		C		REVISED PER ECR-13-011489	04DEC2013	KH	PD



1 SUPPLIED IN LOOSE PIECE.



62168-1
PART NO.

THIS DRAWING IS A CONTROLLED DOCUMENT.		DWN	JR RUTH	1/9/97	 TE Connectivity NAME TAB, FASTON, .205 SERIES					
DIMENSIONS: INCHES		CHK	MS FEHER	1/9/97						
		APVD	P DESANTIS	1/9/97						
TOLERANCES UNLESS OTHERWISE SPECIFIED:		PRODUCT SPEC								
0 PLC ± - 1 PLC ± - 2 PLC ± - 3 PLC ± .015 4 PLC ± - ANGLES ± 1°		APPLICATION SPEC			SIZE	CAGE CODE	DRAWING NO	RESTRICTED TO		
MATERIAL: BRASS		FINISH: -			A300779 C-62168			-		
CUSTOMER DRAWING					SCALE	4:1	SHEET	1 OF 1	REV	C