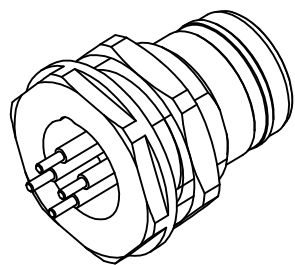
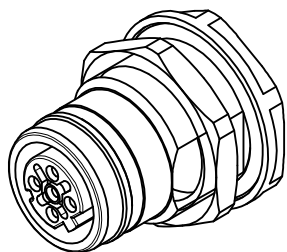


VOLTAGE RATING: 30 VAC / 36 VDC  
 AMPERE RATING: 2 A  
 PROTECTION CLASS: IP 67/68/69K  
 OPERATING TEMPERATURE: -40°C / 90°C

ITEM	QTY	COMPONENT	MATERIAL	FINISH
1	1	O-RING 15x1.5	EPDM BK	-
2	1	O-RING 7,1x1.35	EPDM VL	-
3	4	FEM PCB CONTACT	CuNi1Pb1P (C97)	Cu/Ni2AuCo0.5
4	1	REC. SHELL FE	BRASS	Ni PLATED
5	1	INSERT M12 4P FE	PUR BK	-
6	1	M16x1,5 LOCKNUT	BRASS	Ni PLATED
7	-	POTTING MATERIAL	PU NATURAL	-
8	-	POTTING MATERIAL	HARDNER NATURAL	-
-	-	PACKAGING	FOLD PACKAGING GR.2	-



(2:1)



(2:1)

ENTER DESCRIPTION  
 EC NO: IPG2014-0741  
 DRWN: APOHL  
 CHKD: RSILLER  
 APPR: APOHL  
 2013/10/24  
 2013/12/05

QUALITY SYMBOLS  
 ▽=1  
 ◻=0

GENERAL TOLERANCES (UNLESS SPECIFIED)	
mm	INCH
4 PLACES ± ---	± ---
3 PLACES ± ---	± ---
2 PLACES ± 0.05	± ---
1 PLACE ± 0.30	± ---
0 PLACE ± 0.50	± ---
ANGULAR ± 1 °	
DRAFT WHERE APPLICABLE MUST REMAIN WITHIN DIMENSIONS	

DIMENSION STYLE  
**MM ONLY**  
 DRAWN BY: RSCHIEBER  
 CHECKED BY: RSILLER  
 APPROVED BY: CBURGER  
 DATE: 2012/12/11  
 DATE: 2012/12/11  
 DATE: 2013/07/17

SCALE  
**4:1**

DESIGN UNITS  
**METRIC**  
 THIRD ANGLE PROJECTION  
 TITLE  
**REC U12 4P DC FE M16 BM SOL SHLD BRA AU**  
**molex**  
 MATERIAL NO. 1201095011  
 DOCUMENT NO. SD-120109-011  
 SHEET NO. 1 OF 3

10 9 8 7 6 5 4 3 2 1

F

E

D

C

B

A

F

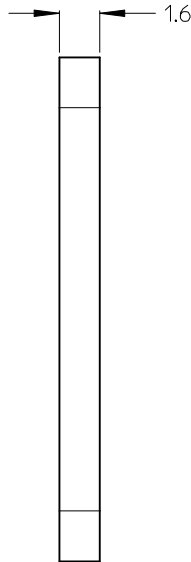
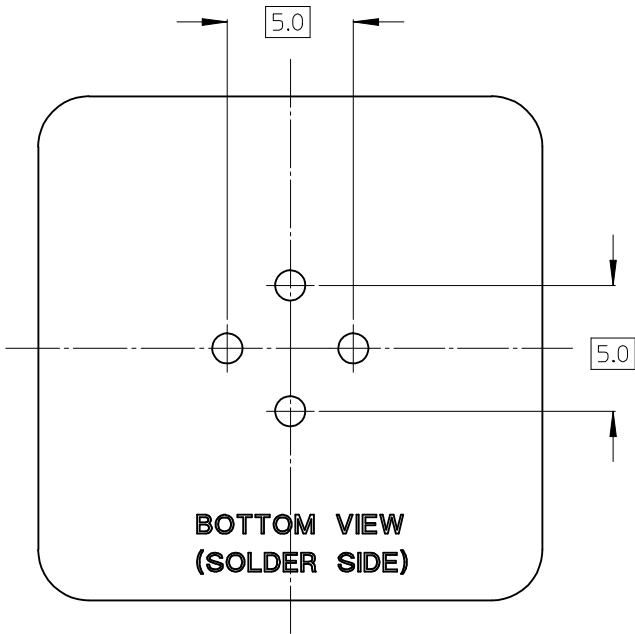
E

D

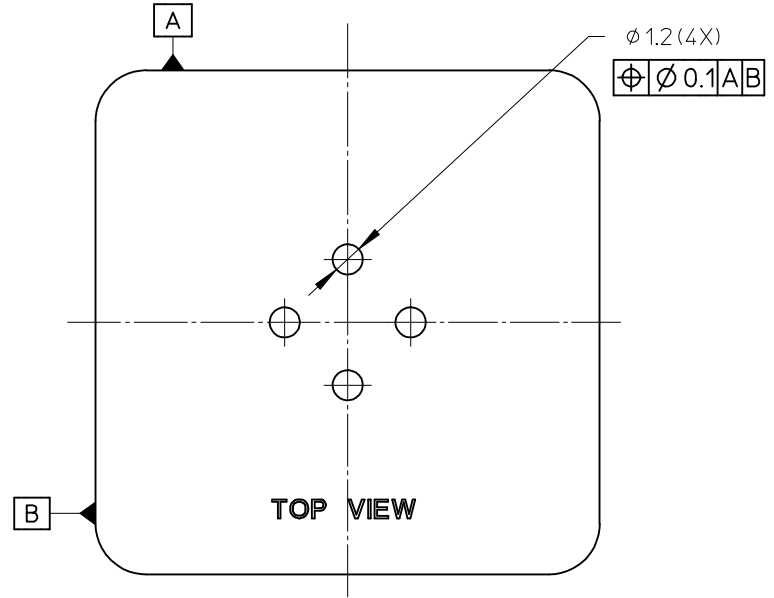
C

B

A



REAR VIEW  
(SOLDER SIDE)



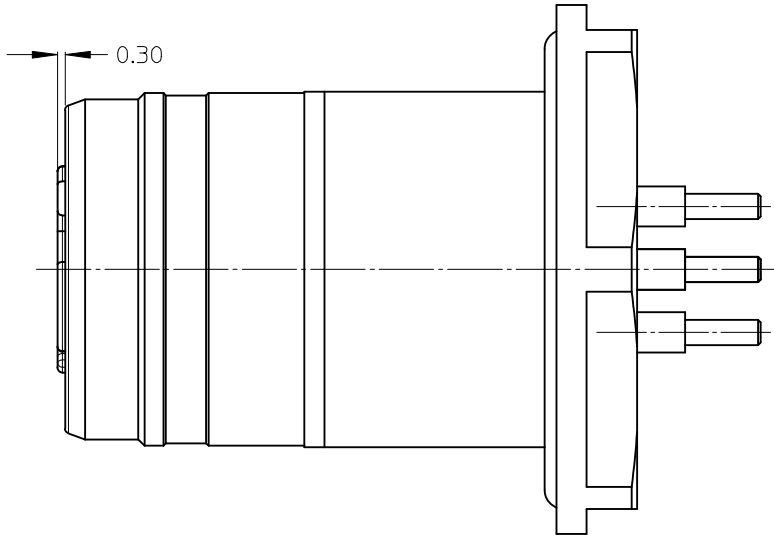
# PCB PINOUT

<b>ENTER DESCRIPTION</b> EC NO: IPG2014-0741 DRWN: APOHL 2013/10/24 CHKD: RSILLER APPR: APOHL 2013/12/05	<b>QUALITY SYMBOLS</b> ▽=0 ◻=0	<b>GENERAL TOLERANCES (UNLESS SPECIFIED)</b>		<b>DIMENSION STYLE</b> MM ONLY	<b>SCALE</b> 5:1	<b>DESIGN UNITS</b> METRIC	THIRD ANGLE PROJECTION	
			mm	INCH	DRAWN BY: RSCHIEBER DATE: 2012/12/11	TITLE: REC U12 4P DC FE M16 BM SOL SHLD BRA AU		
		4 PLACES	± ---	± ---	CHECKED BY: RSILLER DATE: 2012/12/11	<b>molex</b> DOCUMENT NO. SD-120109-011 SHEET NO. 2 OF 3		
		3 PLACES	± ---	± ---	APPROVED BY: CBURGER DATE: 2013/07/17			
		2 PLACES	± 0.05	± ---	MATERIAL NO. 1201095011			
1 PLACE	± 0.30	± ---	DRAFT WHERE APPLICABLE MUST REMAIN WITHIN DIMENSIONS	SIZE: A3 THIS DRAWING CONTAINS INFORMATION THAT IS PROPRIETARY TO MOLEX INCORPORATED AND SHOULD NOT BE USED WITHOUT WRITTEN PERMISSION				
0 PLACE	± 0.50	± ---						

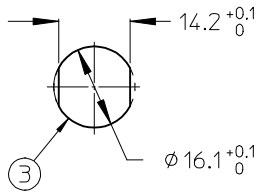
9 8 7 6 5 4 3 2 1

VIEW WITHOUT LOCK NUT

MAX. PANEL THICKNESS  
WITHOUT LOCK NUT 5mm

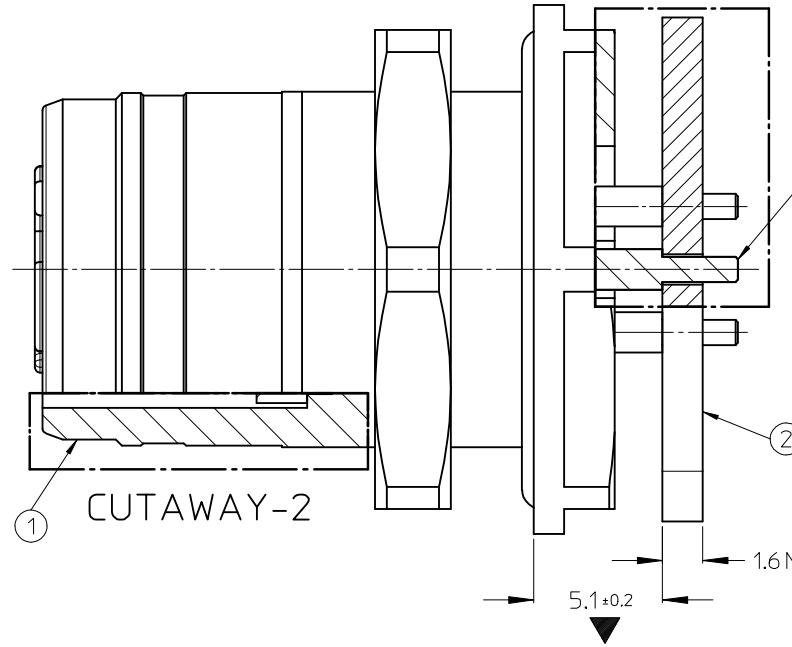


Panel Cutout



VIEW WITH LOCK NUT

MAX. PANEL THICKNESS  
WITH LOCK NUT 3mm



CUTAWAY-1

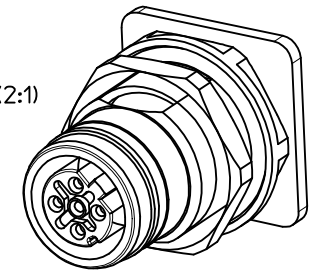
SOLDER ACCORDING TO:  
IPC/WHMA-A-620 CLASS2

CUTAWAY-2

POS. DESCRIPTION

- 1 RECEPTACLE BACK MOUNT
- 2 PCB
- 3 CUTOUT

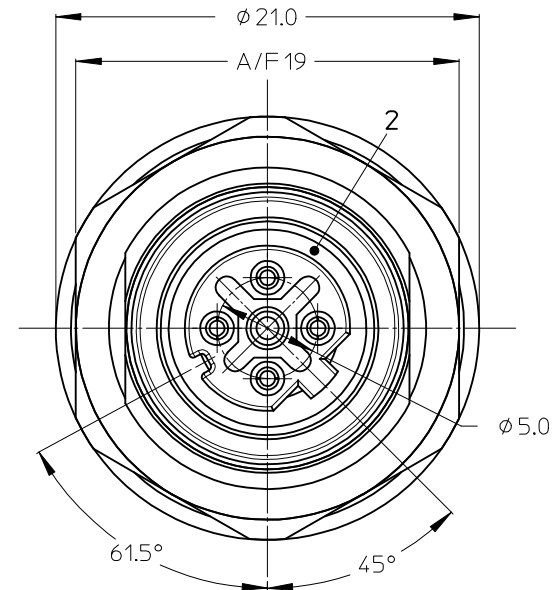
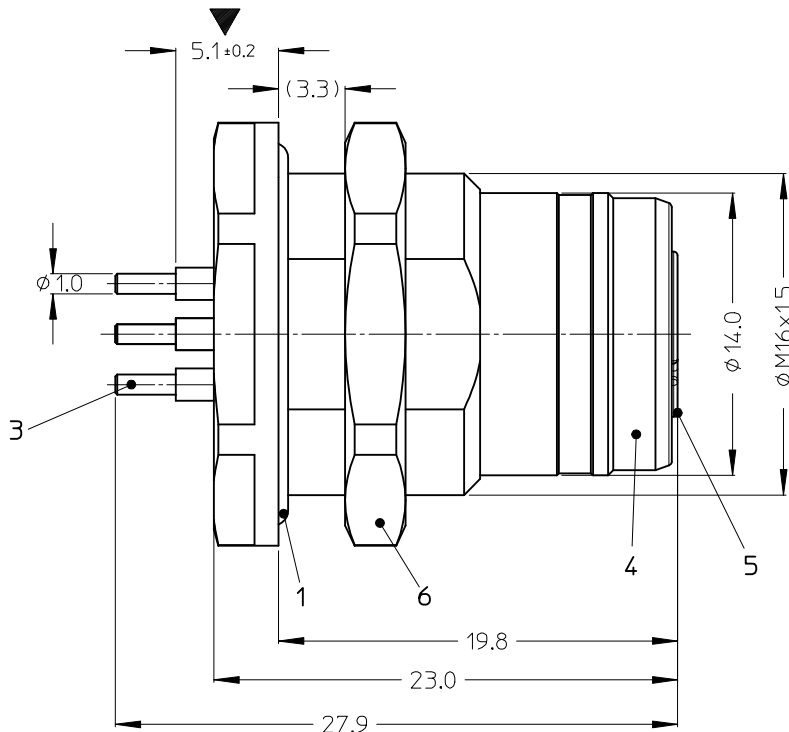
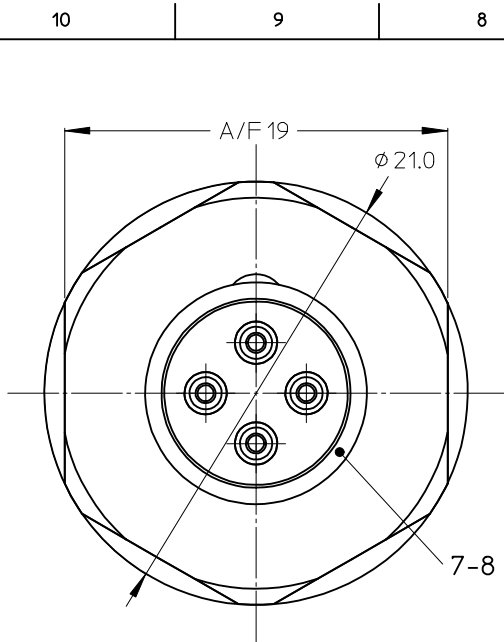
(2:1)



ASSEMBLY OF THE RECEPTACLE:

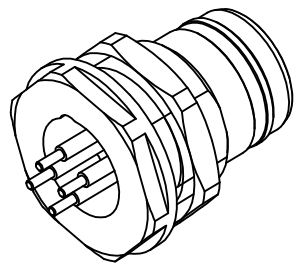
1. The receptacle (1) is soldered to PCB (2)(wave or reflow possible)  
The grounding can be over the ground pins of her receptacle and, if needed, over the midpoint of the shielding cross.
2. The PCB with receptacles is mounted from the back side into the cutout(3) and fastened per screwing in or locknut.

ENTER DESCRIPTION EC NO: IPG2014-0741 DRWN: APOHL CHKD: RSILLER APPR: APOHL	2013/10/24 2013/12/05	DESCRIPTION REV	QUALITY SYMBOLS ▽=0 ▽=1	GENERAL TOLERANCES (UNLESS SPECIFIED)		DIMENSION STYLE MM ONLY		SCALE 5:1	DESIGN UNITS METRIC	THIRD ANGLE PROJECTION			
					mm	INCH	DRAWN BY RSCHIEBER	DATE 2012/12/11	TITLE REC U12 4P DC FE M16 BM SOL SHLD BRA AU				
				4 PLACES	± ---	± ---	CHECKED BY RSILLER	DATE 2012/12/11	molex MATERIAL NO. 1201095011 DOCUMENT NO. SD-120109-011 SHEET NO. 3 OF 3				
				3 PLACES	± ---	± ---	APPROVED BY CBURGER	DATE 2013/07/17					
2 PLACES	± 0.05	± ---	ANGULAR ± 1 °		DRAFT WHERE APPLICABLE MUST REMAIN WITHIN DIMENSIONS								
1 PLACE	± 0.30	± ---											
0 PLACE	± 0.50	± ---											

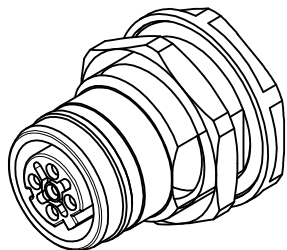


VOLTAGE RATING: 30 VAC / 36 VDC  
 AMPERE RATING: 2 A  
 PROTECTION CLASS: IP 67/68/69K  
 OPERATING TEMPERATURE: -40°C / 90°C

ITEM	QTY	COMPONENT	MATERIAL	FINISH
1	1	O-RING 15x1.5	EPDM BK	-
2	1	O-RING 7,1x1.35	EPDM VL	-
3	4	FEM PCB CONTACT	CuNi1Pb1P (C97)	Cu/Ni2AuCo0.5
4	1	REC. SHELL FE	BRASS	Ni PLATED
5	1	INSERT M12 4P FE	PUR BK	-
6	1	M16x1,5 LOCKNUT	BRASS	Ni PLATED
7	-	POTTING MATERIAL	PU NATURAL	-
8	-	POTTING MATERIAL	HARDNER NATURAL	-
-	-	PACKAGING	FOLD PACKAGING GR.2	-



(2:1)



(2:1)

ENTER DESCRIPTION  
 EC NO: IPG2014-0741  
 DRWN: APOHL 2013/10/24  
 CHKD: RSILLER  
 APPR: APOHL 2013/12/05

QUALITY SYMBOLS  
 ▽=1  
 ◻=0

GENERAL TOLERANCES (UNLESS SPECIFIED)	
mm	INCH
4 PLACES ± ---	± ---
3 PLACES ± ---	± ---
2 PLACES ± 0.05	± ---
1 PLACE ± 0.30	± ---
0 PLACE ± 0.50	± ---

ANGULAR ± 1 °  
 DRAFT WHERE APPLICABLE MUST REMAIN WITHIN DIMENSIONS

DIMENSION STYLE  
**MM ONLY**  
 DRAWN BY: RSCHIEBER  
 DATE: 2012/12/11  
 CHECKED BY: RSILLER  
 DATE: 2012/12/11  
 APPROVED BY: CBURGER  
 DATE: 2013/07/17  
 MATERIAL NO.  
**1201095011**

SCALE: 4:1  
 DESIGN UNITS: METRIC  
 THIRD ANGLE PROJECTION  
 TITLE: REC U12 4P DC FE M16 BM SOL SHLD BRA AU  
**molex**  
 DOCUMENT NO.: SD-120109-011  
 SHEET NO.: 1 OF 3

10 9 8 7 6 5 4 3 2 1

F

E

D

C

B

A

F

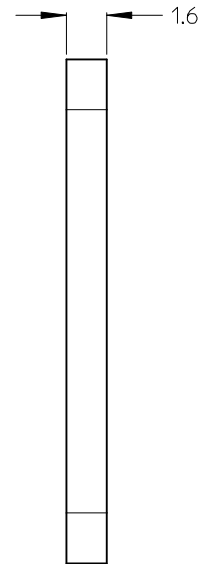
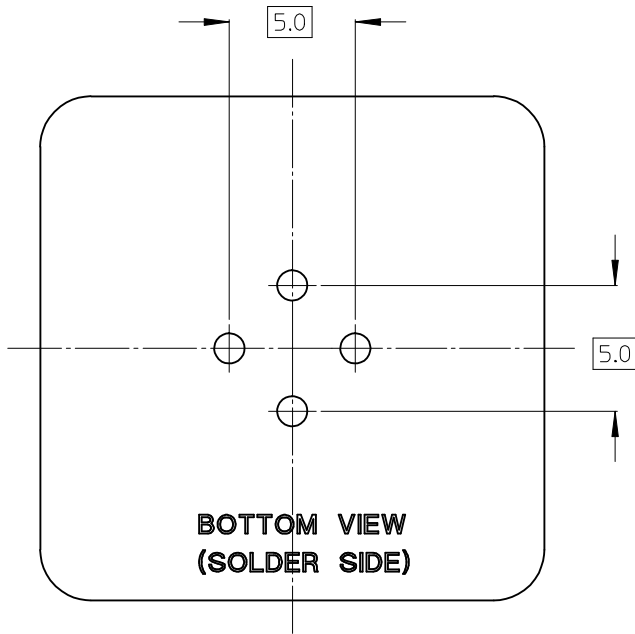
E

D

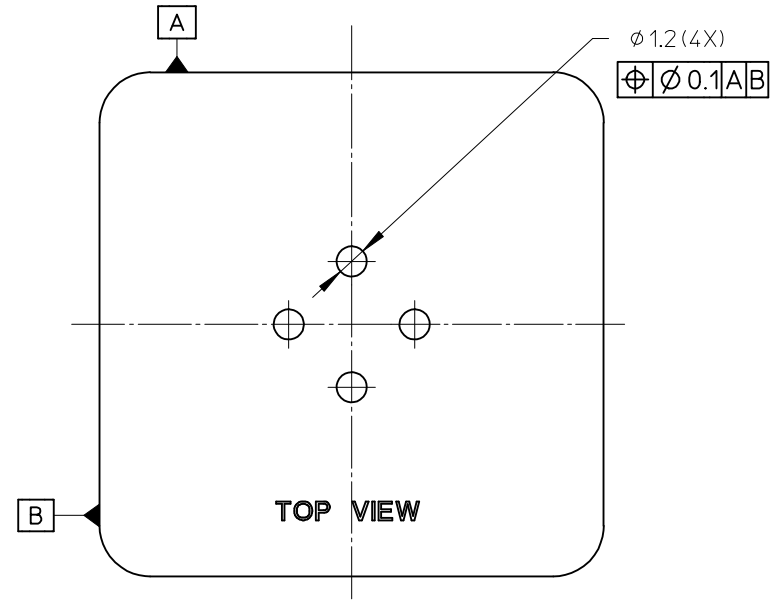
C

B

A



REAR VIEW  
(SOLDER SIDE)



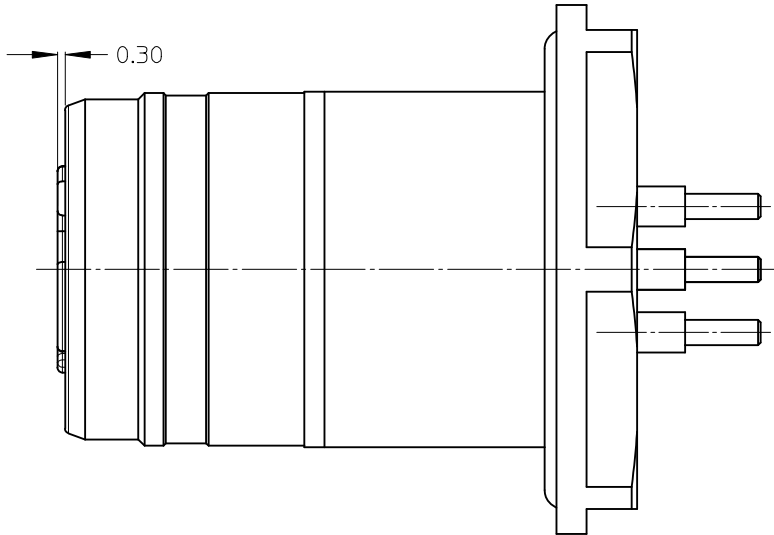
# PCB PINOUT

<b>ENTER DESCRIPTION</b> EC NO: IPG2014-0741 DRWN: APOHL 2013/10/24 CHKD: RSILLER APPR: APOHL 2013/12/05	DESCRIPTION REV	QUALITY SYMBOLS ▽=0 ◻=0	GENERAL TOLERANCES (UNLESS SPECIFIED)		DIMENSION STYLE <b>MM ONLY</b>		SCALE <b>5:1</b>	DESIGN UNITS <b>METRIC</b>	THIRD ANGLE PROJECTION	
			mm	INCH	DRAWN BY	DATE	TITLE			
		4 PLACES	± ---	± ---	RSCHIEBER	2012/12/11	REC U12 4P DC FE M16 BM SOL SHLD BRA AU			
		3 PLACES	± ---	± ---	CHECKED BY	DATE				
		2 PLACES	± 0.05	± ---	RSILLER	2012/12/11	<b>molex</b>			
1 PLACE	± 0.30	± ---	APPROVED BY	DATE						
0 PLACE	± 0.50	± ---	CBURGER	2013/07/17	MATERIAL NO. <b>1201095011</b>		DOCUMENT NO. <b>SD-120109-011</b>	SHEET NO. <b>2 OF 3</b>		
DRAFT WHERE APPLICABLE MUST REMAIN WITHIN DIMENSIONS			ANGULAR ± 1 °		SIZE <b>A3</b>		THIS DRAWING CONTAINS INFORMATION THAT IS PROPRIETARY TO MOLEX INCORPORATED AND SHOULD NOT BE USED WITHOUT WRITTEN PERMISSION			

9 8 7 6 5 4 3 2 1

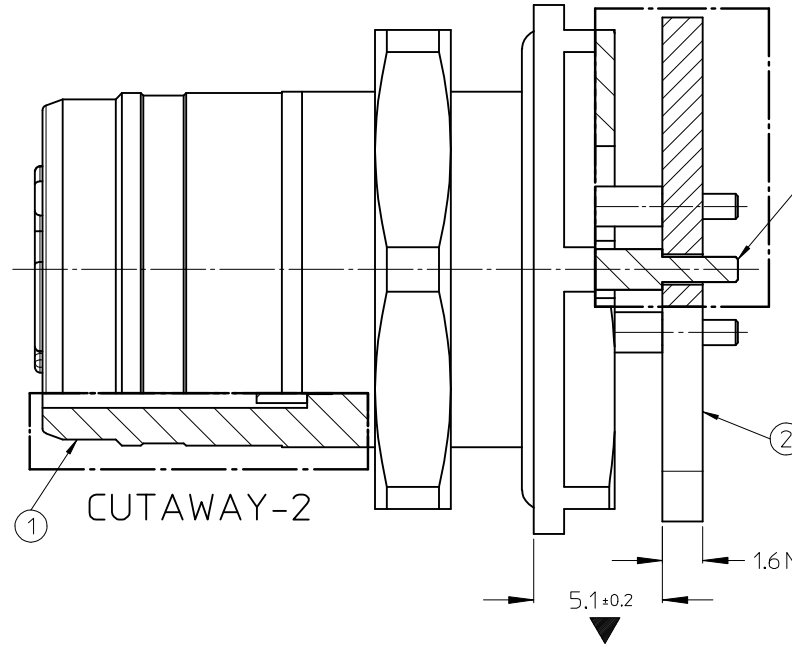
VIEW WITHOUT LOCK NUT

MAX. PANEL THICKNESS  
WITHOUT LOCK NUT 5mm



VIEW WITH LOCK NUT

MAX. PANEL THICKNESS  
WITH LOCK NUT 3mm

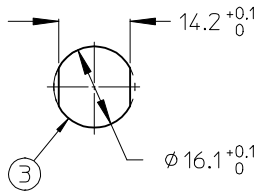


CUTAWAY-1

SOLDER ACCORDING TO:  
IPC/WHMA-A-620 CLASS2

CUTAWAY-2

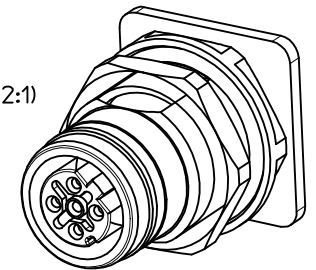
Panel Cutout



POS. DESCRIPTION

- 1 RECEPTACLE BACK MOUNT
- 2 PCB
- 3 CUTOUT

(2:1)



ASSEMBLY OF THE RECEPTACLE:

1. The receptacle (1) is soldered to PCB (2)(wave or reflow possible)  
The grounding can be over the ground pins of her receptacle and, if needed, over the midpoint of the shielding cross.
2. The PCB with receptacles is mounted from the back side into the cutout(3) and fastened per screwing in or locknut.

ENTER DESCRIPTION EC NO: IPG2014-0741 DRWN: APOHL CHKD: RSILLER APPR: APOHL	2013/10/24 2013/12/05	QUALITY SYMBOLS ▽=0 ▽=1	GENERAL TOLERANCES (UNLESS SPECIFIED)		DIMENSION STYLE MM ONLY		SCALE 5:1	DESIGN UNITS METRIC	THIRD ANGLE PROJECTION	
			mm	INCH	DRAWN BY RSCHIEBER	DATE 2012/12/11	TITLE REC U12 4P DC FE M16 BM SOL SHLD BRA AU			
			± ---	± ---	CHECKED BY RSILLER	DATE 2012/12/11	<b>molex</b> DOCUMENT NO. SD-120109-011 SHEET NO. 3 OF 3			
			± 0.05	± ---	APPROVED BY CBURGER	DATE 2013/07/17				
	± 0.30	± ---	ANGULAR ± 1 °		MATERIAL NO. 1201095011					
	± 0.50	± ---	DRAFT WHERE APPLICABLE MUST REMAIN WITHIN DIMENSIONS		SIZE A3		THIS DRAWING CONTAINS INFORMATION THAT IS PROPRIETARY TO MOLEX INCORPORATED AND SHOULD NOT BE USED WITHOUT WRITTEN PERMISSION			