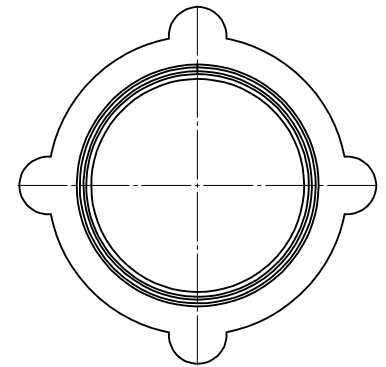
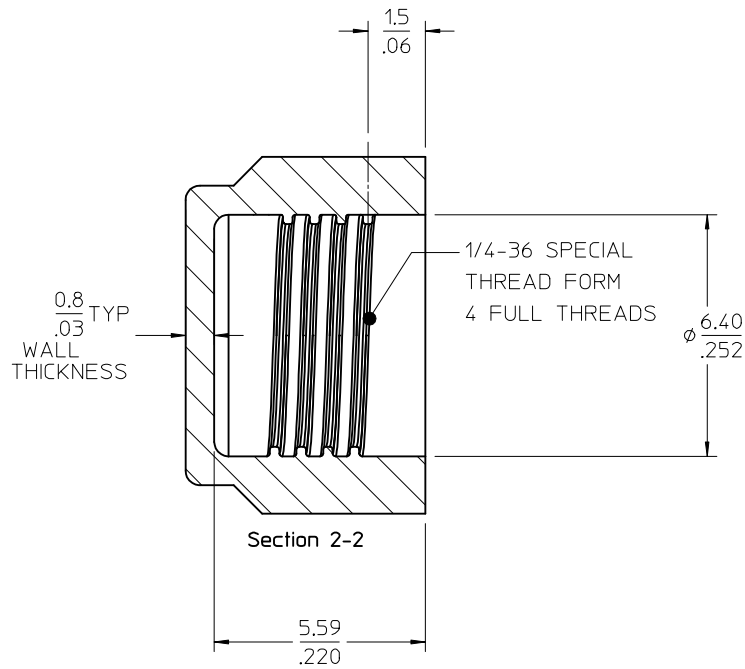
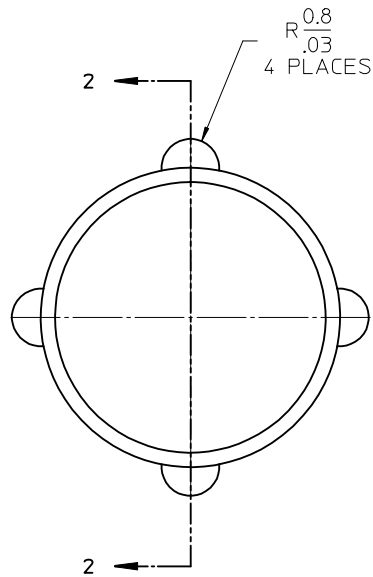
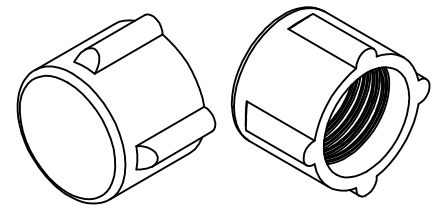


MATERIALS AND FINISHES

CAP: LOW DENSITY POLYETHYLENE (BLACK)



PART # 73251-9400

CHG: RELEASE  
DRAWING.

EC NO: URF2015-0009  
DRAWN: AROBERTSON 2014/07/08  
CHKD: SSS 2014/07/08  
APPR: WSP INK 2014/07/10

REV	DESCRIPTION	QUALITY SYMBOLS
A		▽=0
		▽=0
		▽=0

GENERAL TOLERANCES (UNLESS SPECIFIED)	
mm	INCH
4 PLACES ± .005	± .0005
3 PLACES ± .010	± .0010
2 PLACES ± .020	± .0020
1 PLACE ± .030	± .0030
0 PLACE ± .040	± .0040

ANGULAR ± 2°

DRAFT WHERE APPLICABLE MUST REMAIN WITHIN DIMENSIONS

DIMENSION STYLE	
MM/IN	
DRAWN BY	DATE
AROBERTSON	2014/07/08
CHECKED BY	DATE
SSS	2014/07/08
APPROVED BY	DATE
WSP INK	2014/07/10

SCALE	DESIGN UNITS	THIRD ANGLE PROJECTION
INCH	INCH	☉
<b>DUST CAP FOR SMA JACK (BLACK)</b> <b>SMA-M, EWR-5418</b> 		
MATERIAL NO.	DOCUMENT NO.	SHEET NO.
732519400	SD-73251-940	1 OF 1

THIS DRAWING CONTAINS INFORMATION THAT IS PROPRIETARY TO MOLEX INCORPORATED AND SHOULD NOT BE USED WITHOUT WRITTEN PERMISSION