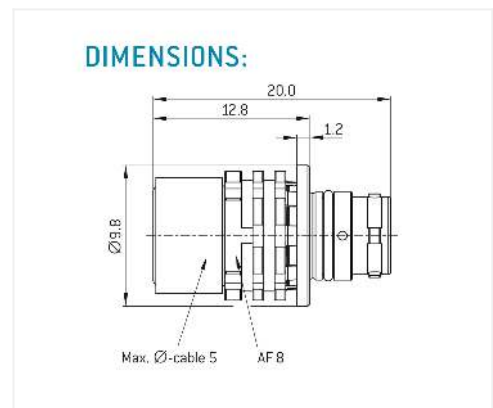
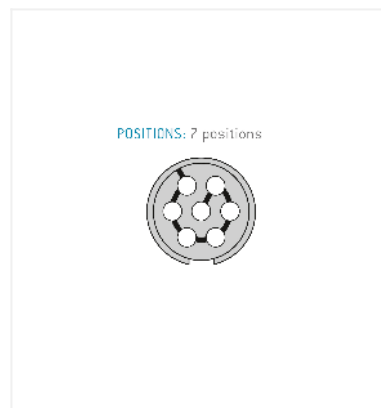
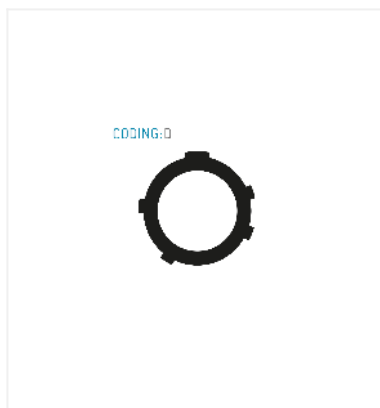


**General information**

<b>Part number</b>	A1CWDM-P07XBC0-0000
<b>Termination</b>	solder
<b>Size</b>	00
<b>Locking principle</b>	break
<b>Coding</b>	d_key_amc
<b>Cable Diameter</b>	cable_amchd_C
<b>Cable outlet</b>	overmolding



**Contact insert description**

<b>Number of contacts</b>	7
<b>Contact type</b>	pins
<b>Contact diameter</b>	03mm
<b>Insulator material</b>	peek
<b>Wire cross section</b>	28_awg
<b>Termination</b>	solder

reverse\_gender\_on\_request

**Technical information**

<b>Nominal current single contact</b>	01_a	iec_60512_5_2
<b>Nominal current insert</b>	0,65 A	vde_0298_4
<b>Test voltage</b>	075_kv_dc	eia_364_20f

safety\_text

## Mechanical and environmental data

Degree of protection*	ipsk8_ip6k9k
Operating temperature	51_125_c
Mating cycles	5000

mated

## Material and surface treatments

Housing	ruthenium
Contact	cu_alloy_gold

safety\_text\_2  
ul\_text  
illustrative\_text