

**50mm by 50mm by 20mm, 12VDC Blower, 4 wire PWM, 3<sup>rd</sup> wire tachometer****Summary –**

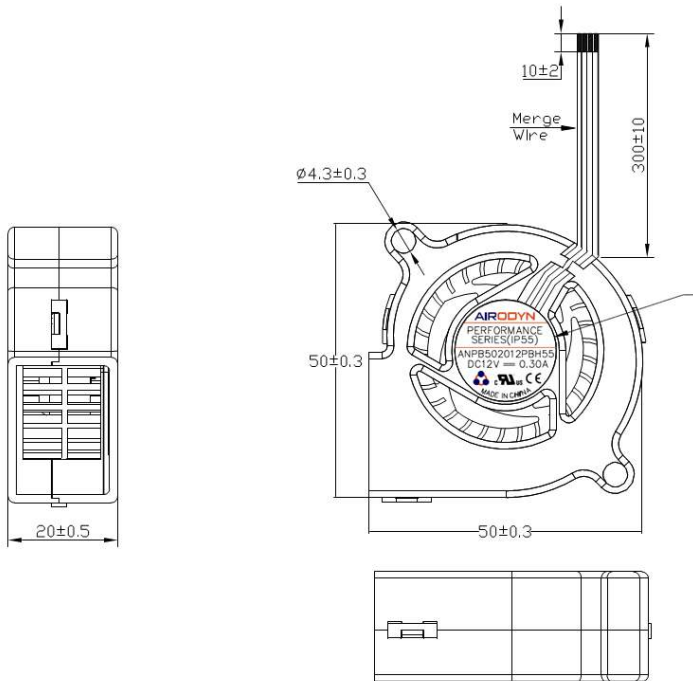
Compact 50mm forward curved blower with 4<sup>th</sup> wire PWM input at 25KHz and 3<sup>rd</sup> wire tachometer output signal. 70K hours continuous life at 40 degrees C ambient, IP54, rotor board coating (Humiseal® 1A27)

UL and CE approved. Other 3<sup>rd</sup> and 4<sup>th</sup> wire options available ( 'high on pass' / 'low on pass' ).

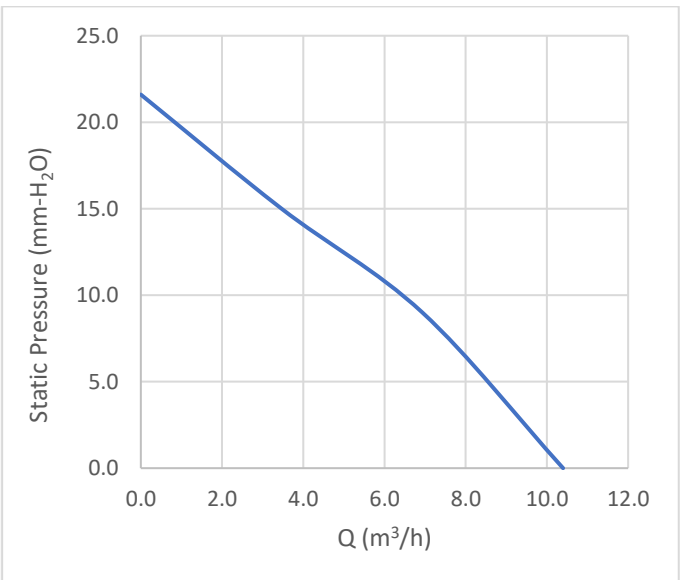
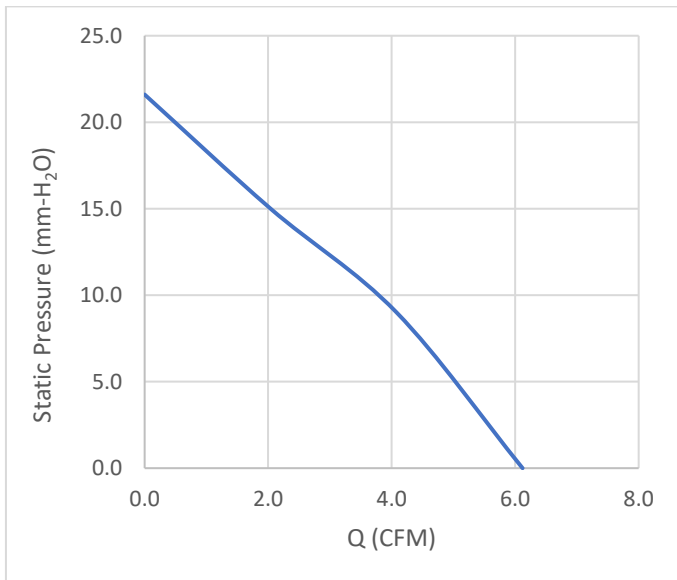
**Features -**

- 4 wire input 12VDC, 3<sup>rd</sup> wire 'tachometer' output signal wire, 4<sup>th</sup> wire 25KHz PWM input wire
- 6.12 CFM free delivery / 0.85" / H2O
- 12VDC / 3.6W / 0.3A
- IP54 (IP20 coating available upon request)
- Premium Quality Ball Bearing system
- Operating Temperature Range: -20 to +70 degrees C
- Storage Temperature Range: -25 to +70 degrees C
- Leadwires:
  - Red – 12VDC / Black – OVDC / Yellow – Tacho / Green – PWM input
- UL file number: E512161
- Weight: 29 grams
- Acoustic Noise: 40 (dBA)

## Dimensions -

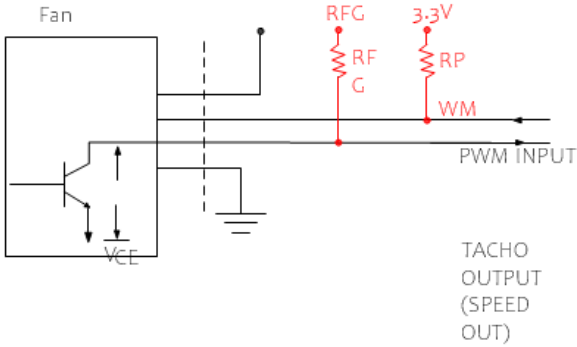


## Airflow / Pressure Curve -



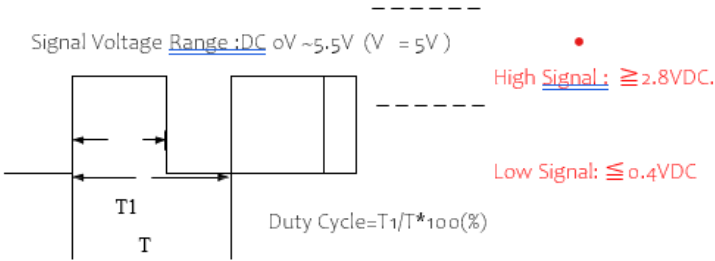
## PWM Circuit –

● PWM Circuit:(for reference) VCC



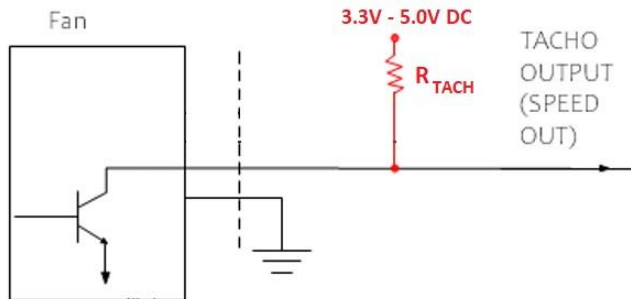
● When VRPM = 3.3V We Recommend R PWM = 1-10KΩ

PWM Control Signal Input:



1. The 25KHz operating frequency(customer preferred)has been tested and checked.
2. At 100% duty cycle, The fan will operate at maximum speed.
3. The fan will default to operate at maximum speed when the speed control input(PWM input)is left unconnected.

## Tacho Circuit –



NB: Suggested pull-up resistor value of 1K to 10KΩ