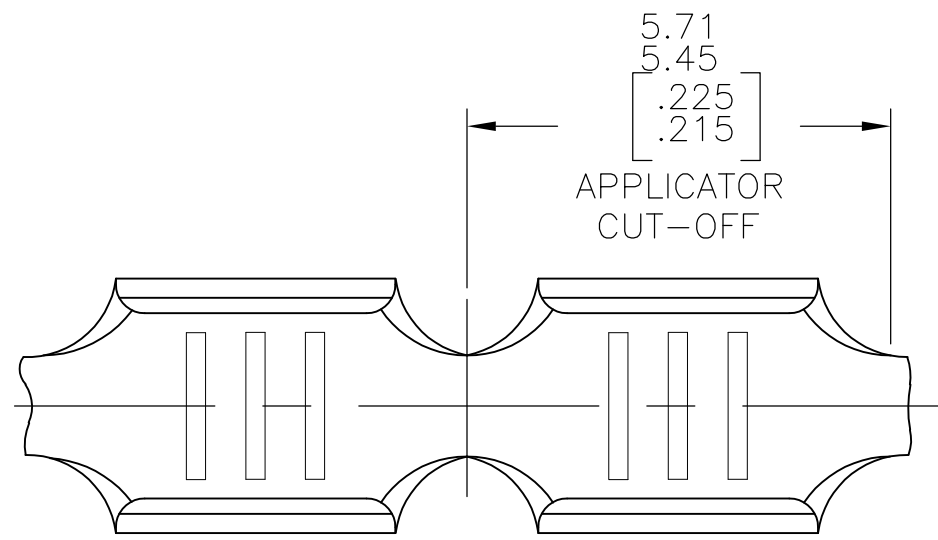
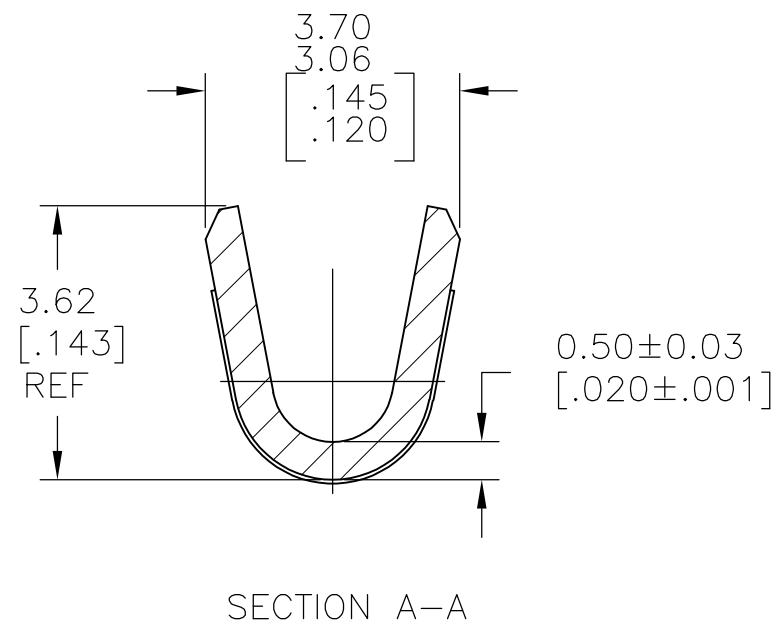
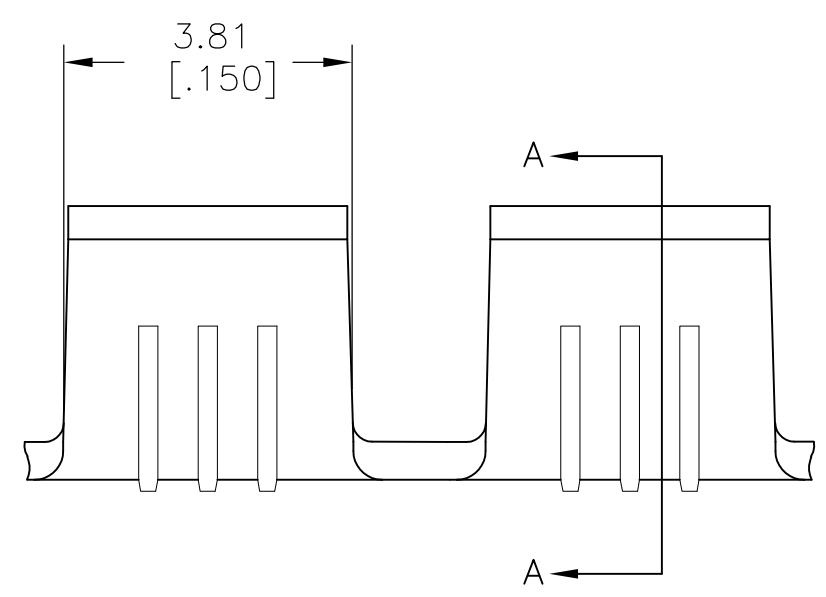


THIS DRAWING IS UNPUBLISHED. RELEASED FOR PUBLICATION
 © COPYRIGHT - By - ALL RIGHTS RESERVED.

LOC	DIST	REVISIONS			
P	LTR	DESCRIPTION	DATE	DWN	APVD
AF	50	J2	REVISED PER ECR-11-006644	05APR11	HMR GJ



- 1 CONTINUOUS STRIP ON REELS
- 2 WIRE RANGE: 0.51-1.62 mm²[1000-3200 CMA]
- 3 CRIMP WIDTH: 2.79[.110]F TYPE.
CRIMP HEIGHT IN INCHES (+/- .002)=(TOTAL CMA OF WIRES + 9267)/183333.



OBSOLETE	41974-1
	41974
	PART NO

THIS DRAWING IS A CONTROLLED DOCUMENT.		DWN RAGHAVENDRA 02JUL07	TE Connectivity				
DIMENSIONS: mm [INCHES]		CHK G.D.PORTA 02JUL07					
TOLERANCES UNLESS OTHERWISE SPECIFIED:		APVD G.D.PORTA 02JUL07	NAME				
0 PLC ± - 1 PLC ± - 2 PLC ± 0.25[.010] 3 PLC ± - 4 PLC ± - ANGLES ± -		PRODUCT SPEC -	SPLICE				
MATERIAL BRASS		FINISH NONE	APPLICATION SPEC 114-2088	SIZE A3	CAGE CODE 00779	DRAWING NO C-41974	RESTRICTED TO -
CUSTOMER DRAWING			WEIGHT -	SCALE 10:1	SHEET 1 OF 1	REV J2	