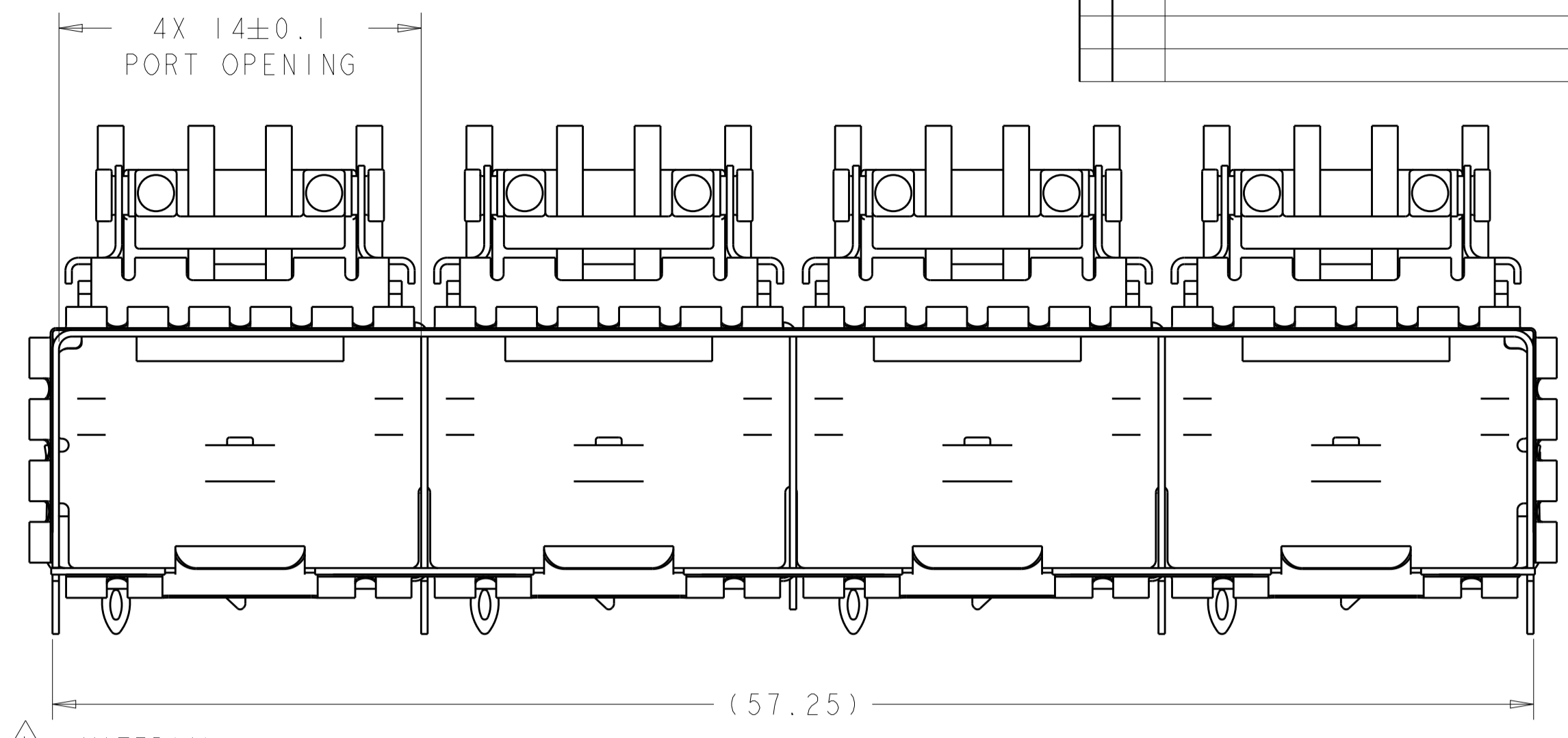
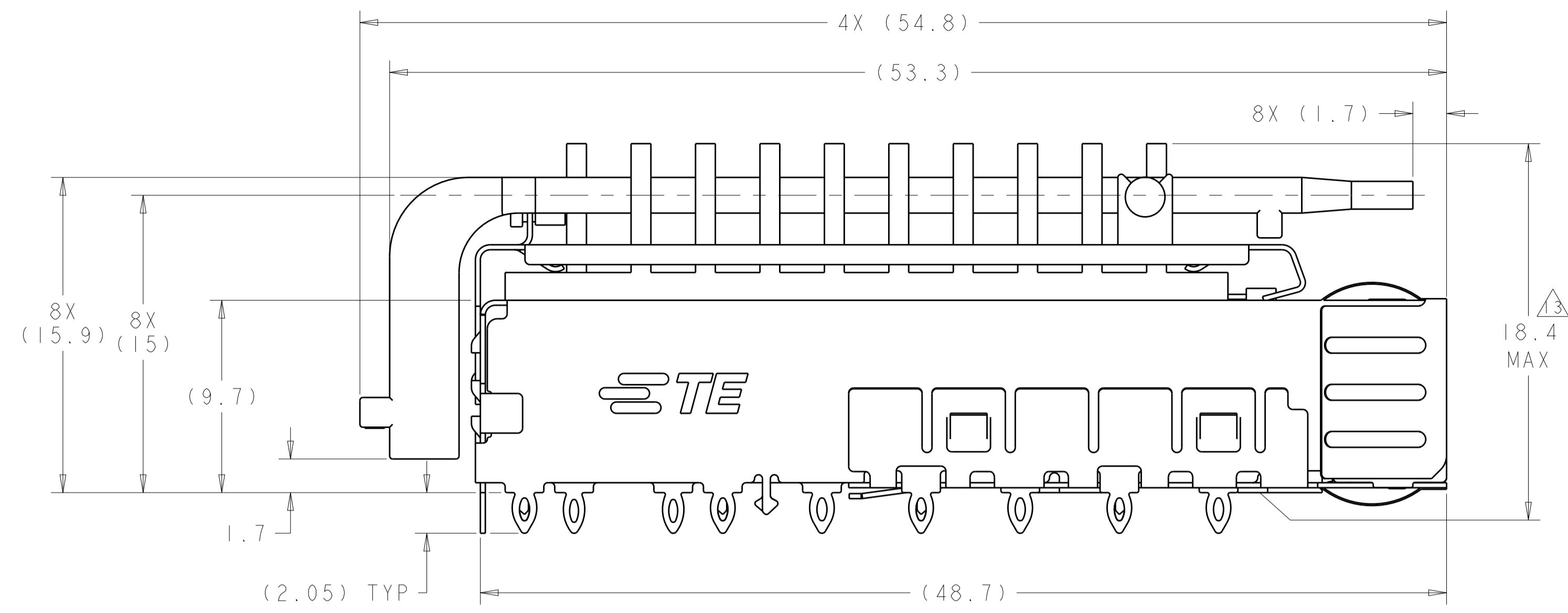
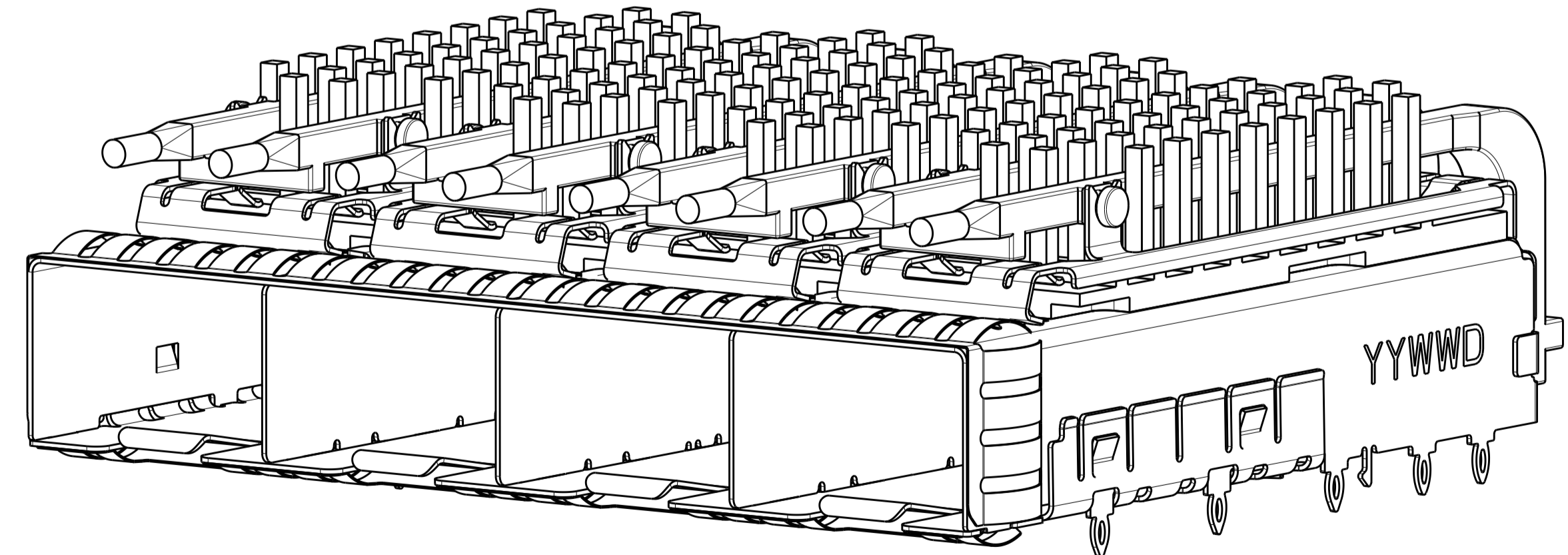
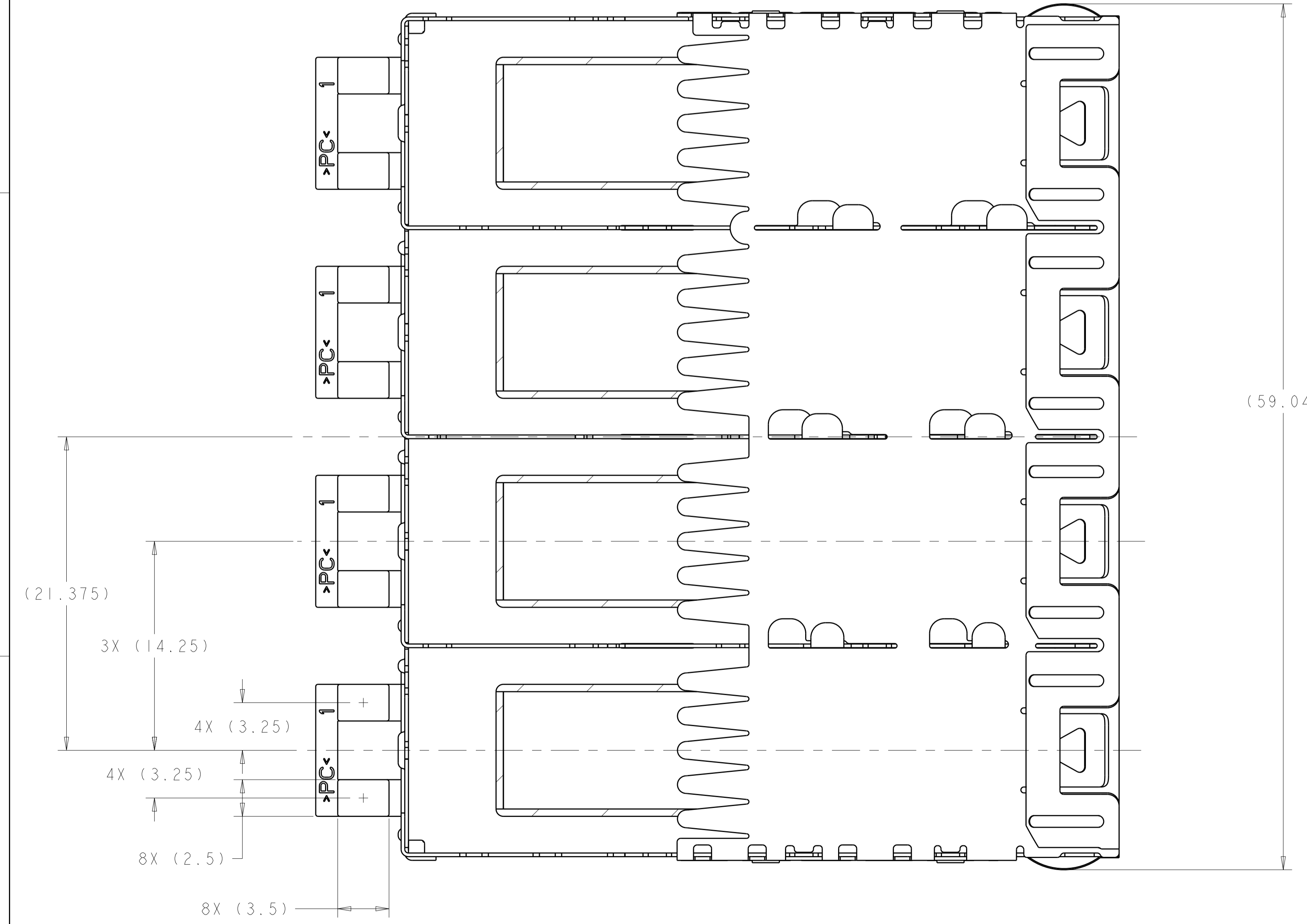


LOC		DIST		REVISIONS			
GP	00	P	LTN	DESCRIPTION	DATE	DWN	APVD
		A		RELEASED PER ECO-12-013192	11OCT2012	BMM	MRS



- △ MATERIAL:  
 CAGE ASSEMBLY: 0.25mm THICK NICKEL SILVER ALLOY  
 HEATSINK/LIGHTPIPE CLIP: STAINLESS STEEL  
 LIGHT PIPE: POLYCARBONATE, CLEAR  
 HEATSINK: ALUMINUM
- △ FINISH:  
 SPRINGS: MINIMUM OF 0.8µm TIN PLATE OVER A MINIMUM OF 0.8µm NICKEL UNDERPLATE.  
 NON-PLATED EDGES PERMISSIBLE.  
 HEATSINK: ELECTROLESS NICKEL  
 HEATSINK/LIGHTPIPE CLIP: PASSIVATE
- △ PADS AND VIAS CHASSIS GROUND.
- △ DATUM AND BASIC DIMENSION ESTABLISHED BY CUSTOMER.
- 5. MATES WITH SFP MSA COMPLIANT TRANSCEIVERS.
- 6. INTERPRETATION OF DATUM REFERENCE FRAME IN ACCORDANCE WITH SECT 4.4.1.1 OF ASME Y14.5M-1994.
- △ REFERENCE APPLICATION SPEC. 114-13120, HOLE A, FOR RECOMMENDED DRILL HOLE DIAMETER AND PLATING THICKNESS.
- △ REFERENCE APPLICATION SPEC. 114-13120, HOLE B, FOR RECOMMENDED DRILL HOLE DIAMETER AND PLATING THICKNESS.
- △ HOLE PATTERN REPEATS FOR EACH PORT. SPACING BETWEEN PORTS IS 14.25mm.
- △ MINIMUM PC BOARD THICKNESS:  
 SINGLE SIDED = 1.50mm  
 DOUBLE SIDED = 2.25mm
- 11. CERTAIN MATING TRANSCEIVERS MAY REQUIRE ADDITIONAL PCB THICKNESS THAT WOULD BE DETERMINED BY THE CUSTOMER.
- 12. PRODUCT COMPLIES WITH SPECIFICATION SFF-8433 IMPROVED PLUGGABLE FORM FACTOR FOR SFP+ GANGED CAGES.
- △ 13. DIMENSION APPLIES PRIOR TO INSERTION OF SFP MODULE.
- △ PACKAGED AS A COMPLETE ASSEMBLY.



2149539-1  
 FINISHED ASSEMBLY  
 SCALE 4:1

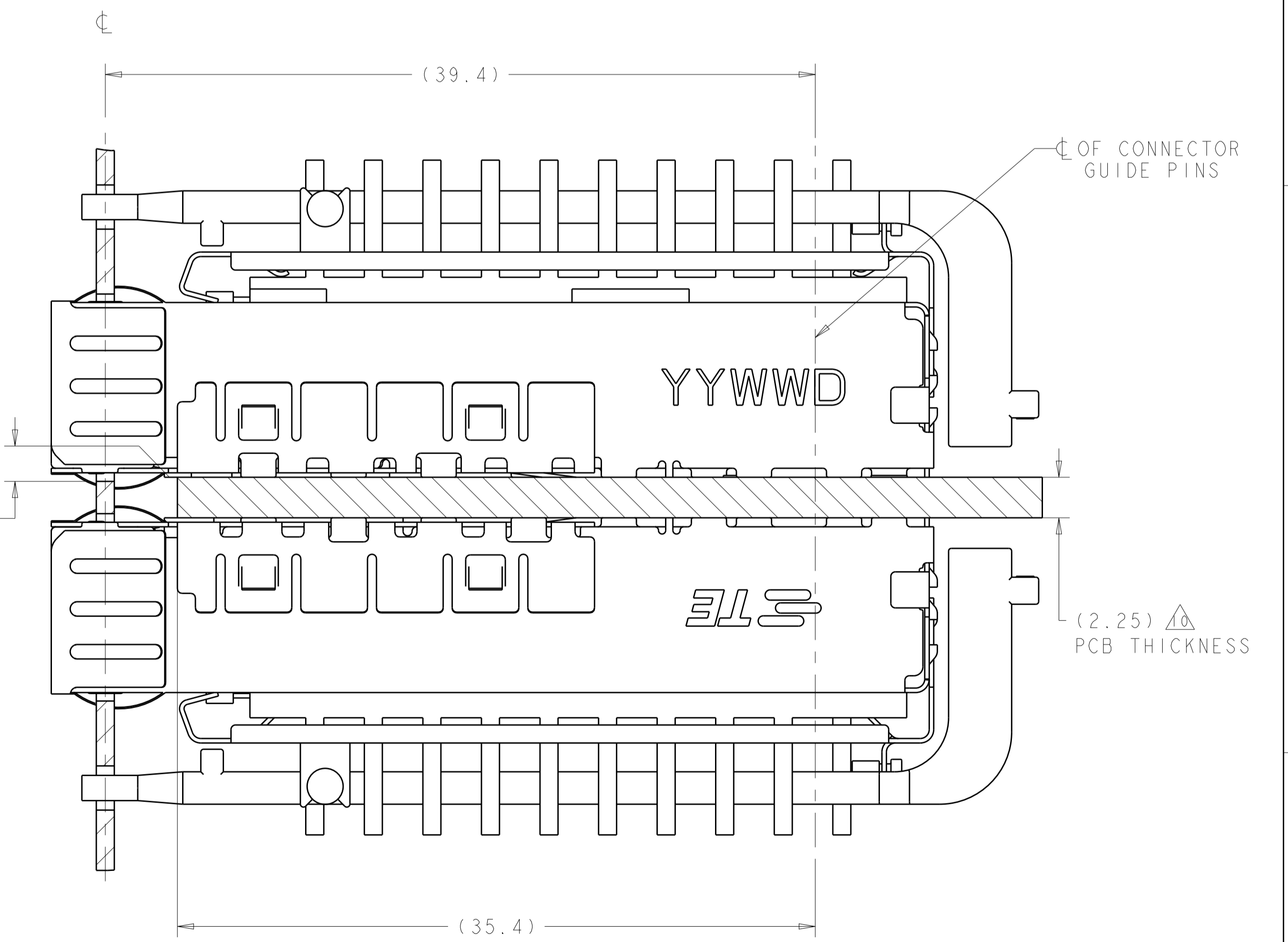
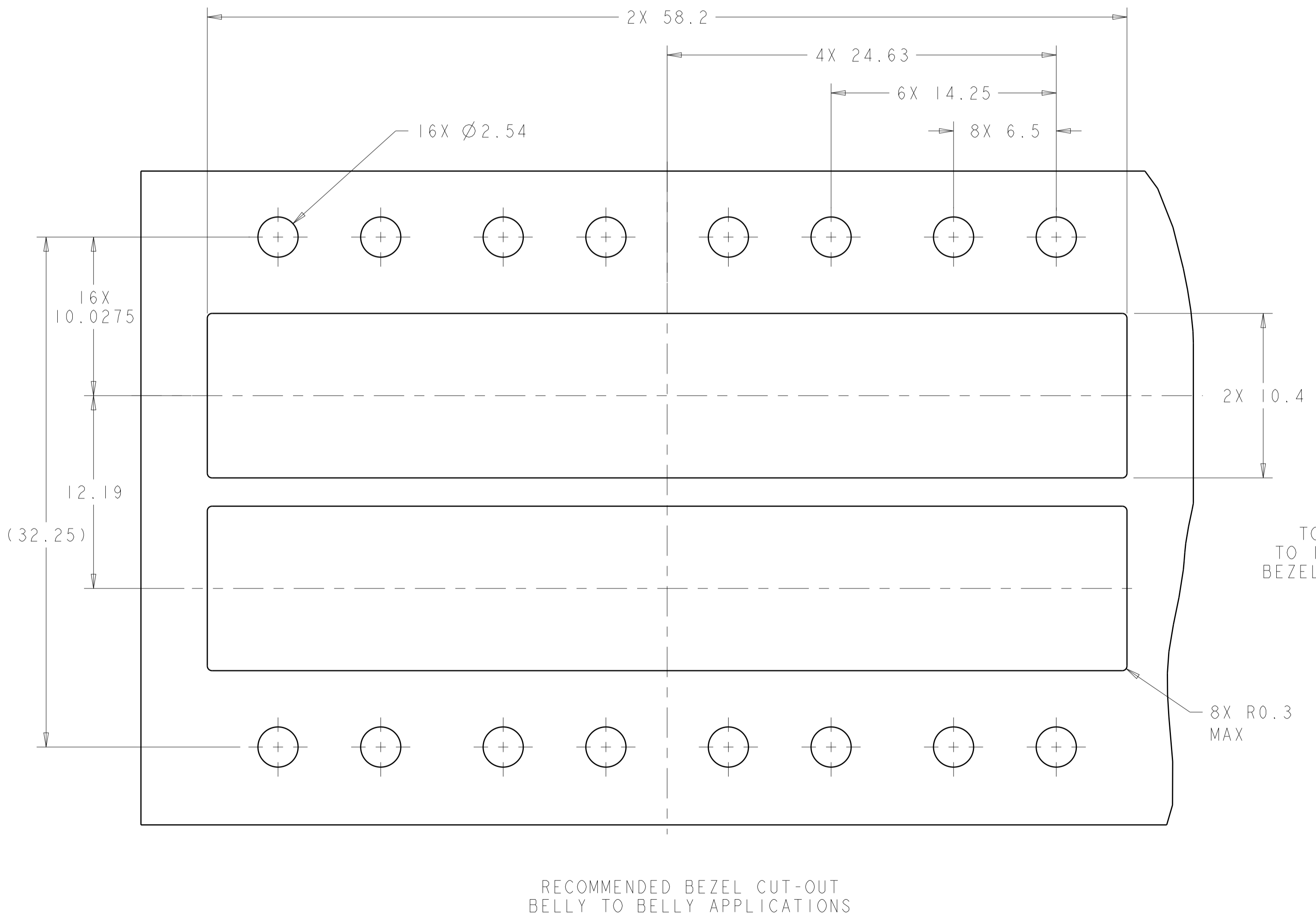
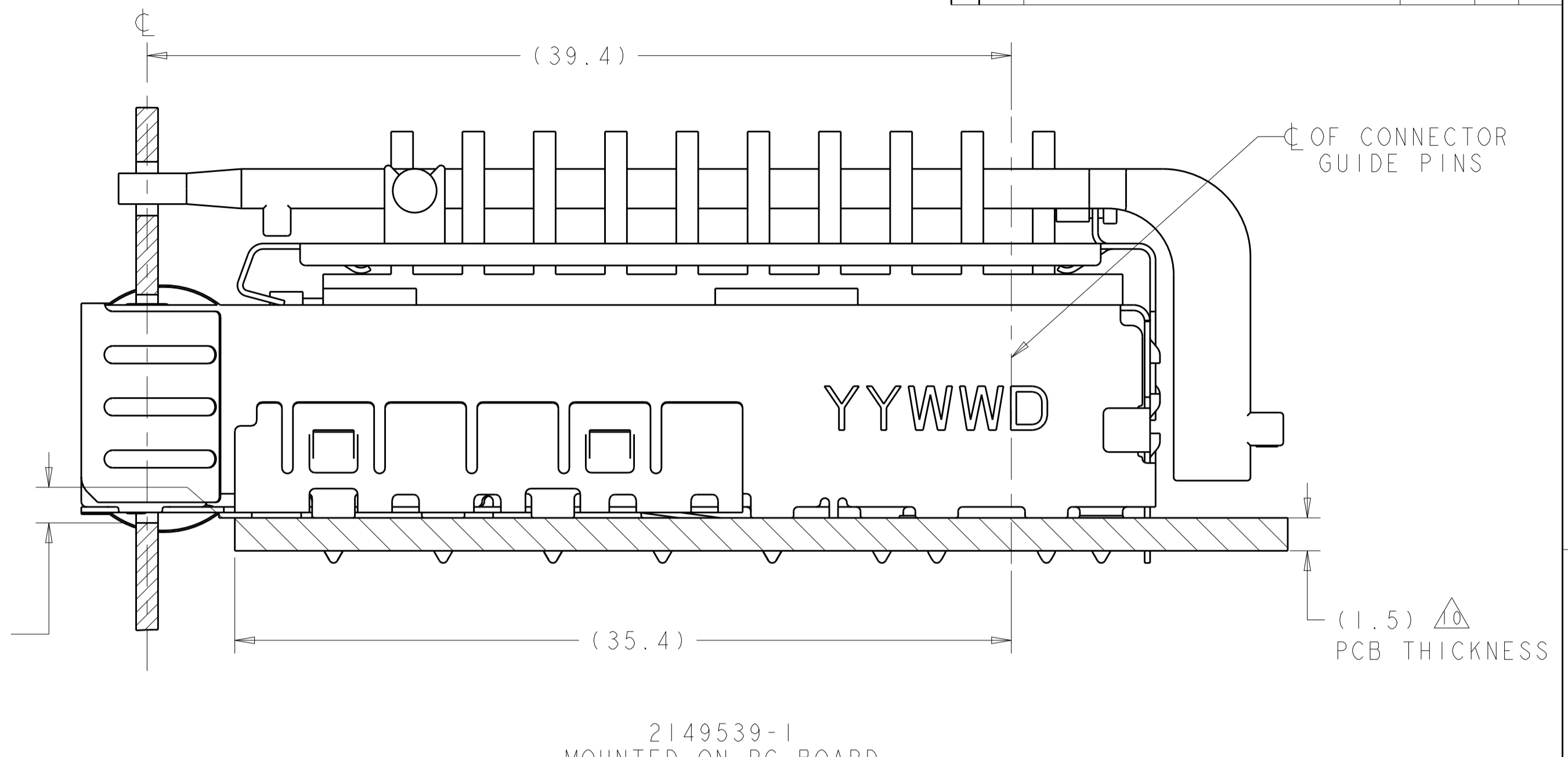
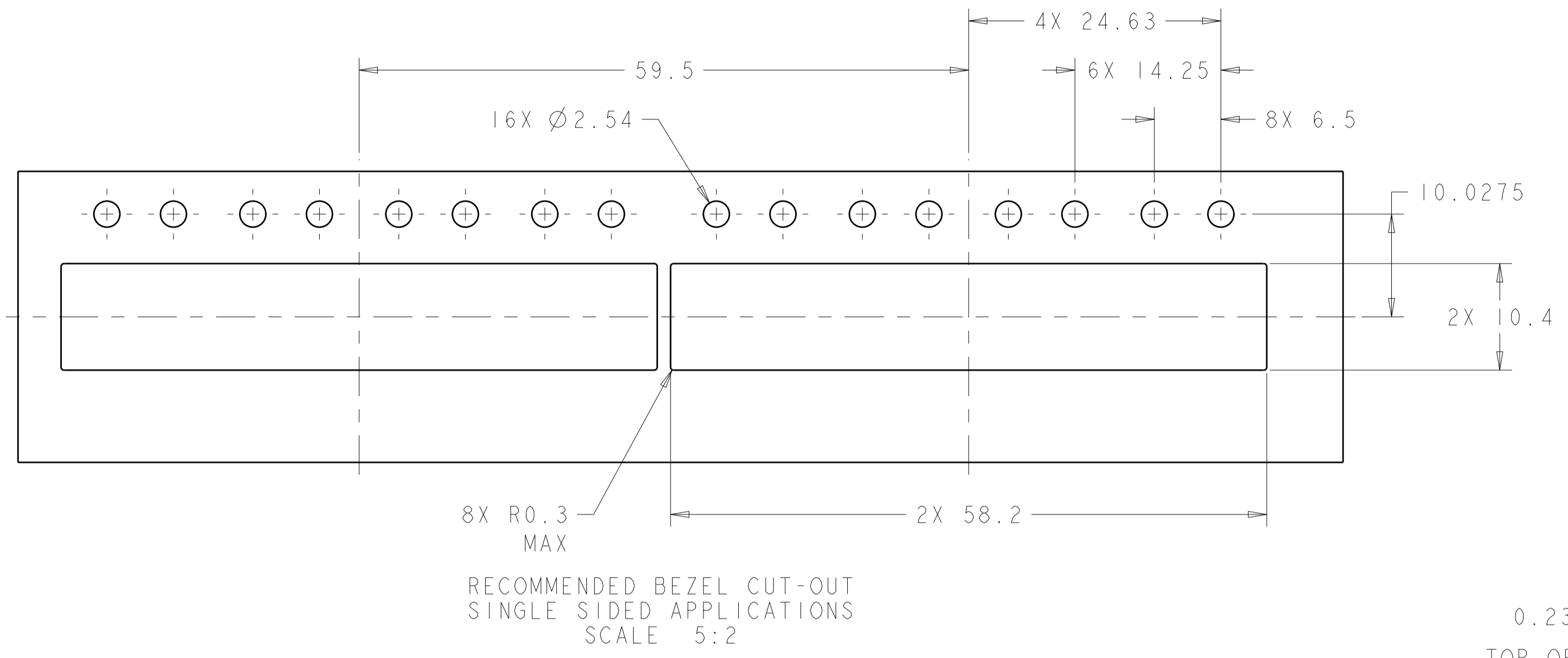
NETWORKING, SHORT	2149539-1
DESCRIPTION	PART NUMBER

THIS DRAWING IS A CONTROLLED DOCUMENT.		DWN: M. SCHMITT 11AUG2010	TE Connectivity
DIMENSIONS: mm		CHK: M. SCHMITT 11AUG2010	
TOLERANCES UNLESS OTHERWISE SPECIFIED:		APVD: B. WERTZ 11AUG2010	NAME: SFP+ ENHANCED 1X4 CAGE ASSEMBLY PRODUCT SPEC: 108-2364 APPLICATION SPEC: 114-13120
0 PLC ±0.1 1 PLC ±0.1 2 PLC ±0.1 3 PLC ±0.1 4 PLC ±0.1 ANGLES ±0.1		SIZE: A1 CAGE CODE: 00779 DRAWING NO: 2149539	
MATERIAL: △		FINISH: △	RESTRICTED TO: -
Customer Drawing		SCALE: 5:1	SHEET 1 OF 4 REV A

LOC	DIST	REV	DATE	BY	APPD
GP	00				

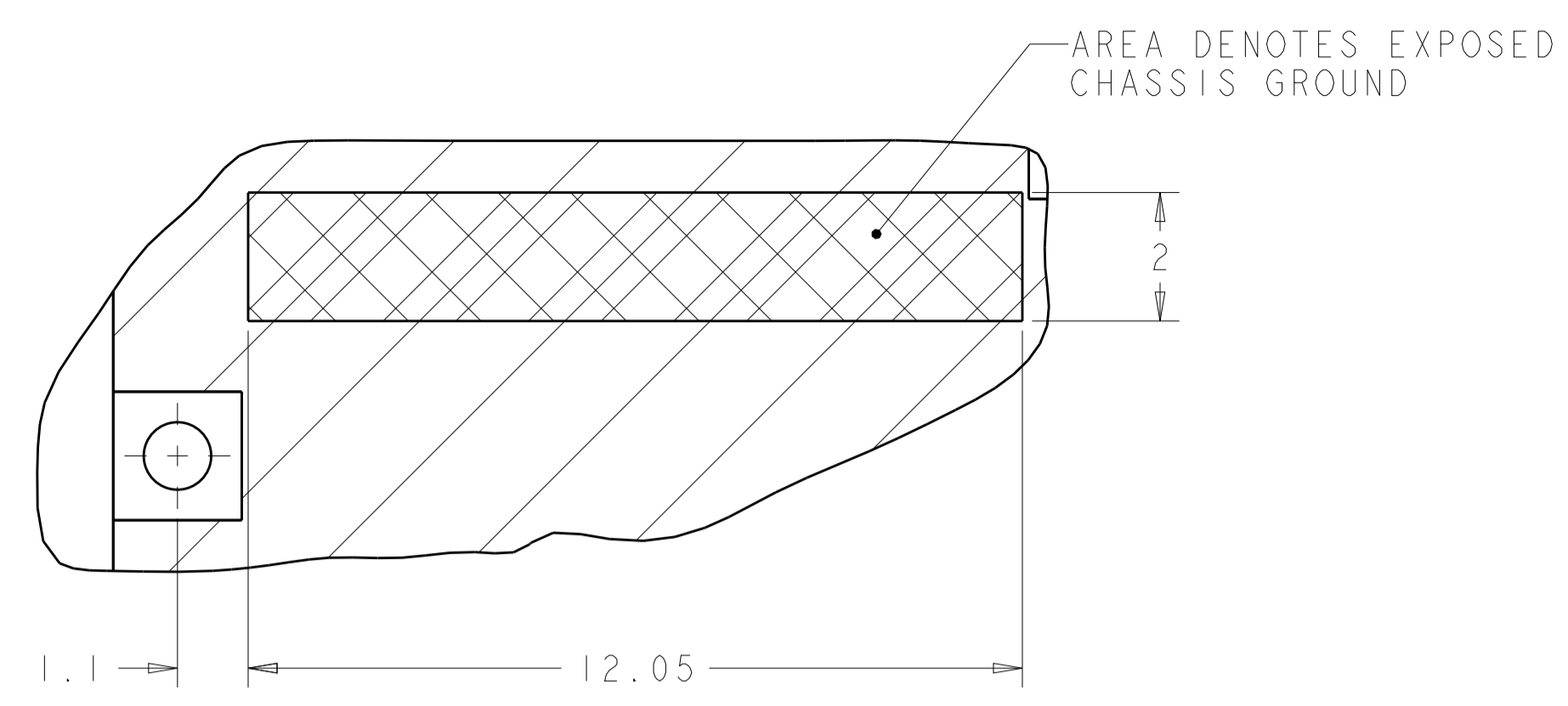
REVISIONS			
NO.	DESCRIPTION	DATE	BY
1	SEE SHEET 1		



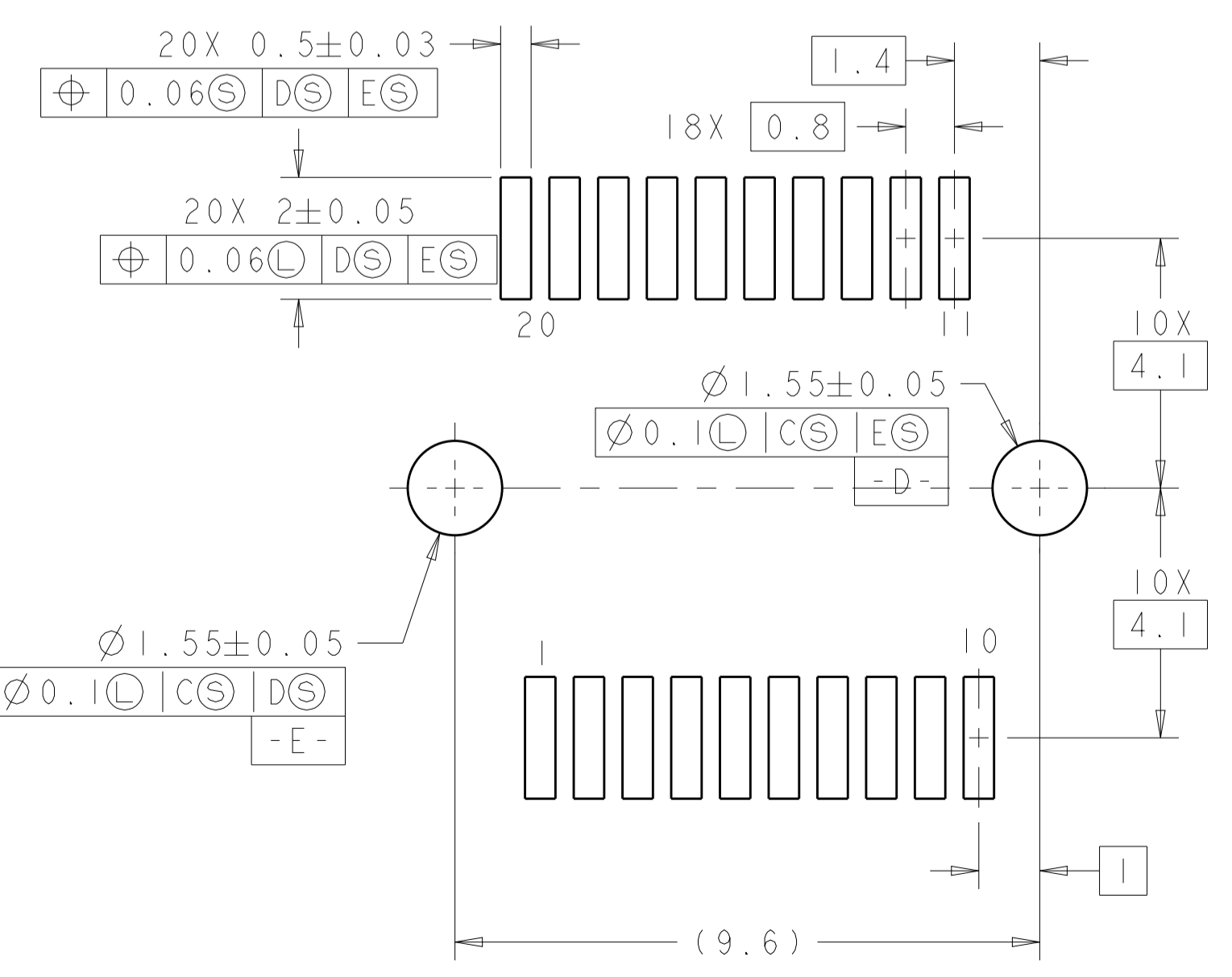
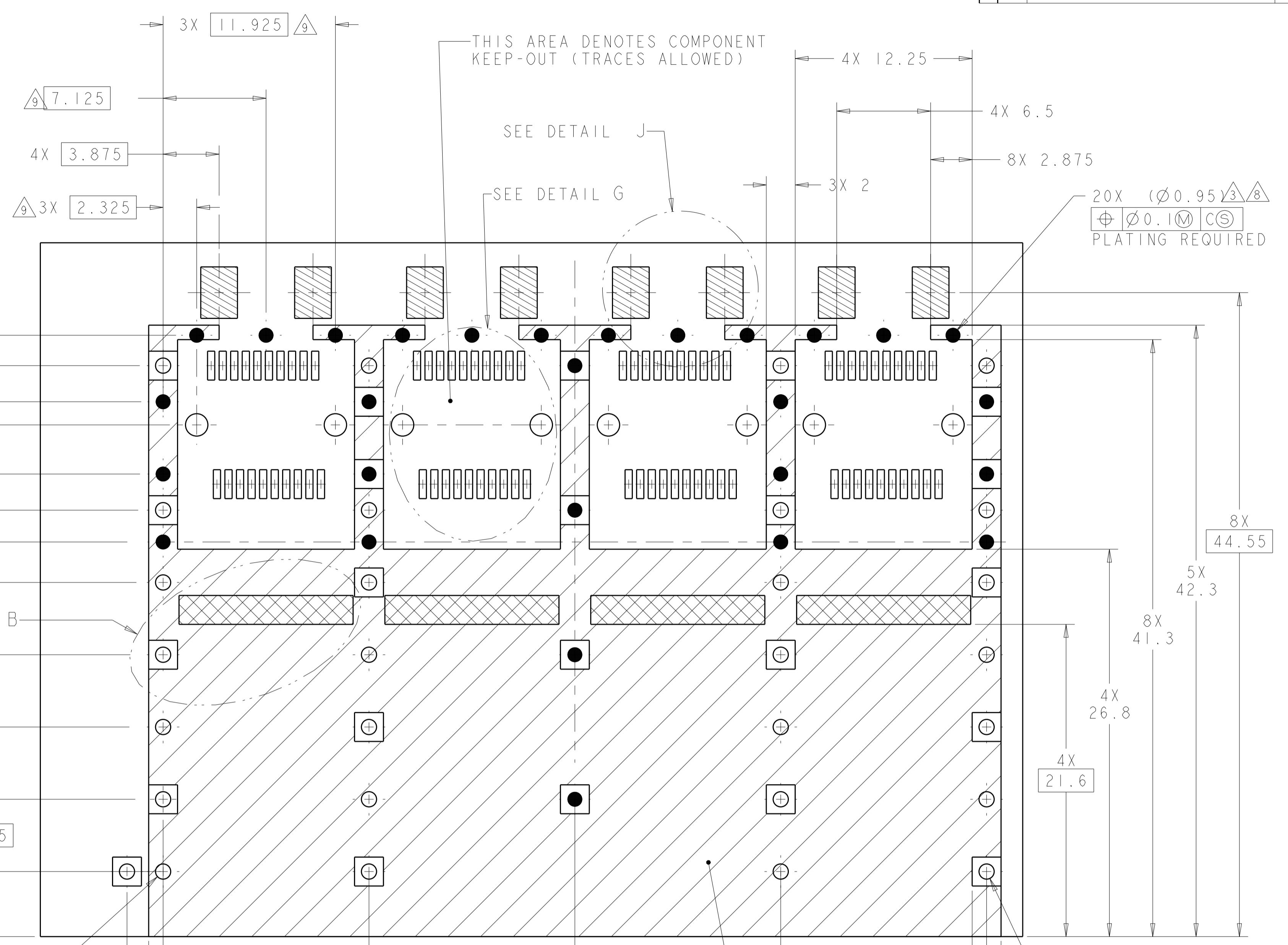
THIS DRAWING IS A CONTROLLED DOCUMENT.		OWN: M. SCHMITT 11AUG2010	TE Connectivity
DIMENSIONS: mm		CHK: M. SCHMITT 11AUG2010	
TOLERANCES UNLESS OTHERWISE SPECIFIED:		APPD: B. WERTZ 11AUG2010	NAME: SFP+ ENHANCED 1X4 CAGE ASSEMBLY PRESS FIT, EXTERNAL EMI SPRINGS WITH HEATSINK AND LIGHT PIPES
0 PLC ±0.1 1 PLC ±0.1 2 PLC ±0.1 3 PLC ±0.1 4 PLC ±0.1 ANGLES ±1°		PRODUCT SPEC: 108-2364	
MATERIAL: -		APPLICATION SPEC: 114-13120	SIZE: A1
FINISH: -		WEIGHT: -	CAGE CODE: 2149539
		Customer Drawing	RESTRICTED TO: -
		SCALE: 5:1	SHEET: 2 OF 4
			REV: A



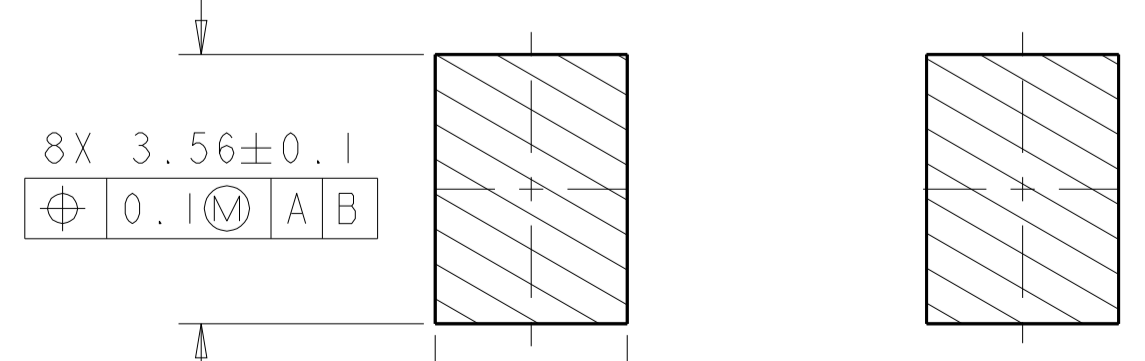
LOC	DIST	REVISIONS			
GP	00	REV	DATE	BY	APPD
-	-	SEE SHEET 1	-	-	-



DETAIL B  
4X INDIVIDUALLY  
SCALE 10:1



DETAIL G  
RECOMMENDED PT CONNECTOR LAYOUT  
8X INDIVIDUALLY  
SCALE 10:1



DETAIL J  
SCALE 10:1

THIS DRAWING IS A CONTROLLED DOCUMENT.		OWN: M. SCHMITT 11AUG2010	TE Connectivity
DIMENSIONS: mm		CHK: M. SCHMITT 11AUG2010	
TOLERANCES UNLESS OTHERWISE SPECIFIED:		APPD: B. WERTZ 11AUG2010	NAME: SFP+ ENHANCED 1X4 CAGE ASSEMBLY PRESS FIT, EXTERNAL EMI SPRINGS WITH HEATSINK AND LIGHT PIPES PRODUCT SPEC: 108-2364 APPLICATION SPEC: 114-13120
0 PLC ±0.1 1 PLC ±0.1 2 PLC ±0.1 3 PLC ±0.1 4 PLC ±0.1 ANGLES ±1°		SIZE: 114-13120 WEIGHT: A100779 Customer Drawing	
MATERIAL: FINISH:		RESTRICTED TO: A100779	SCALE: 5:1 SHEET: 4 OF 4 REV: A