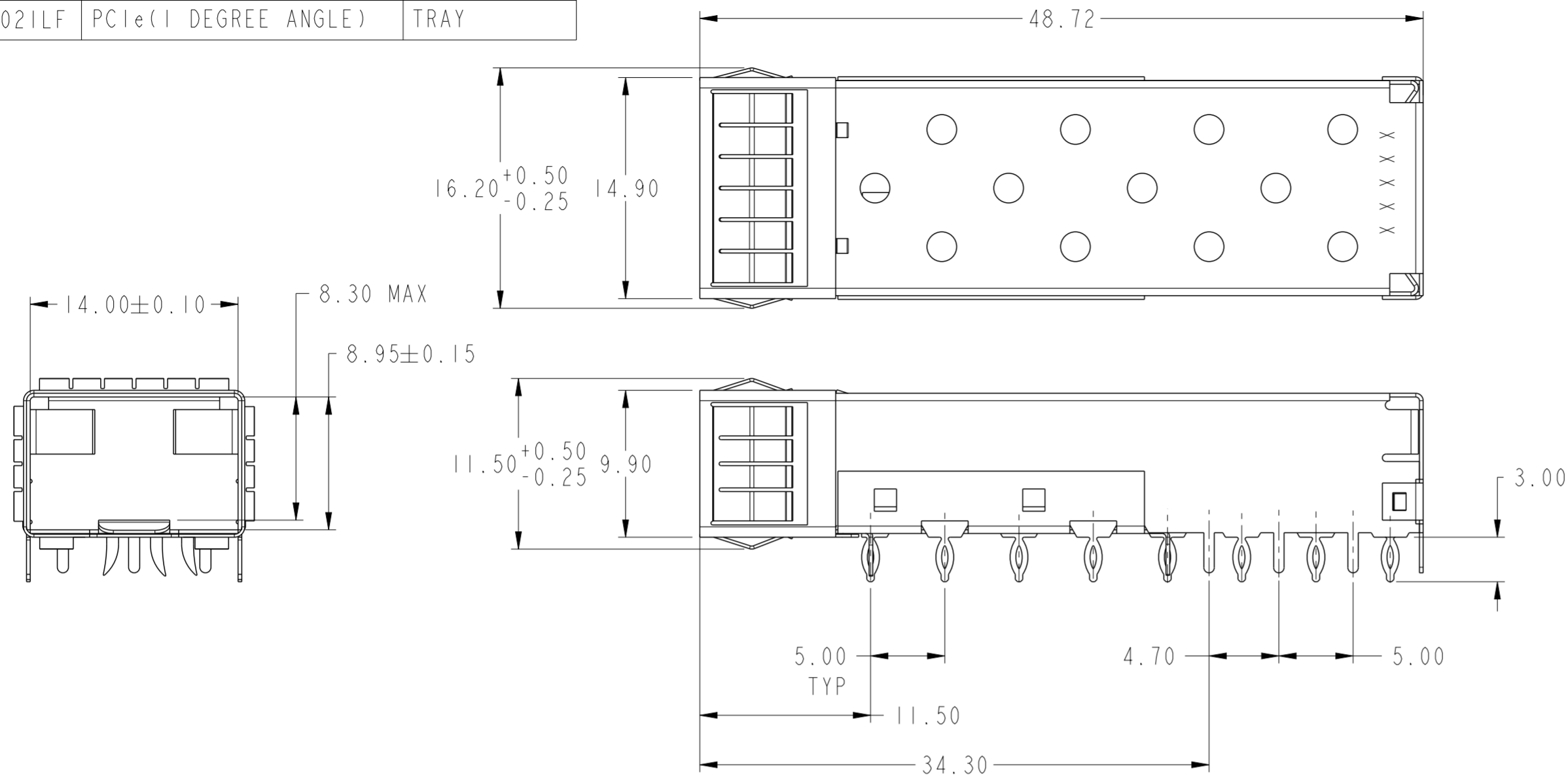
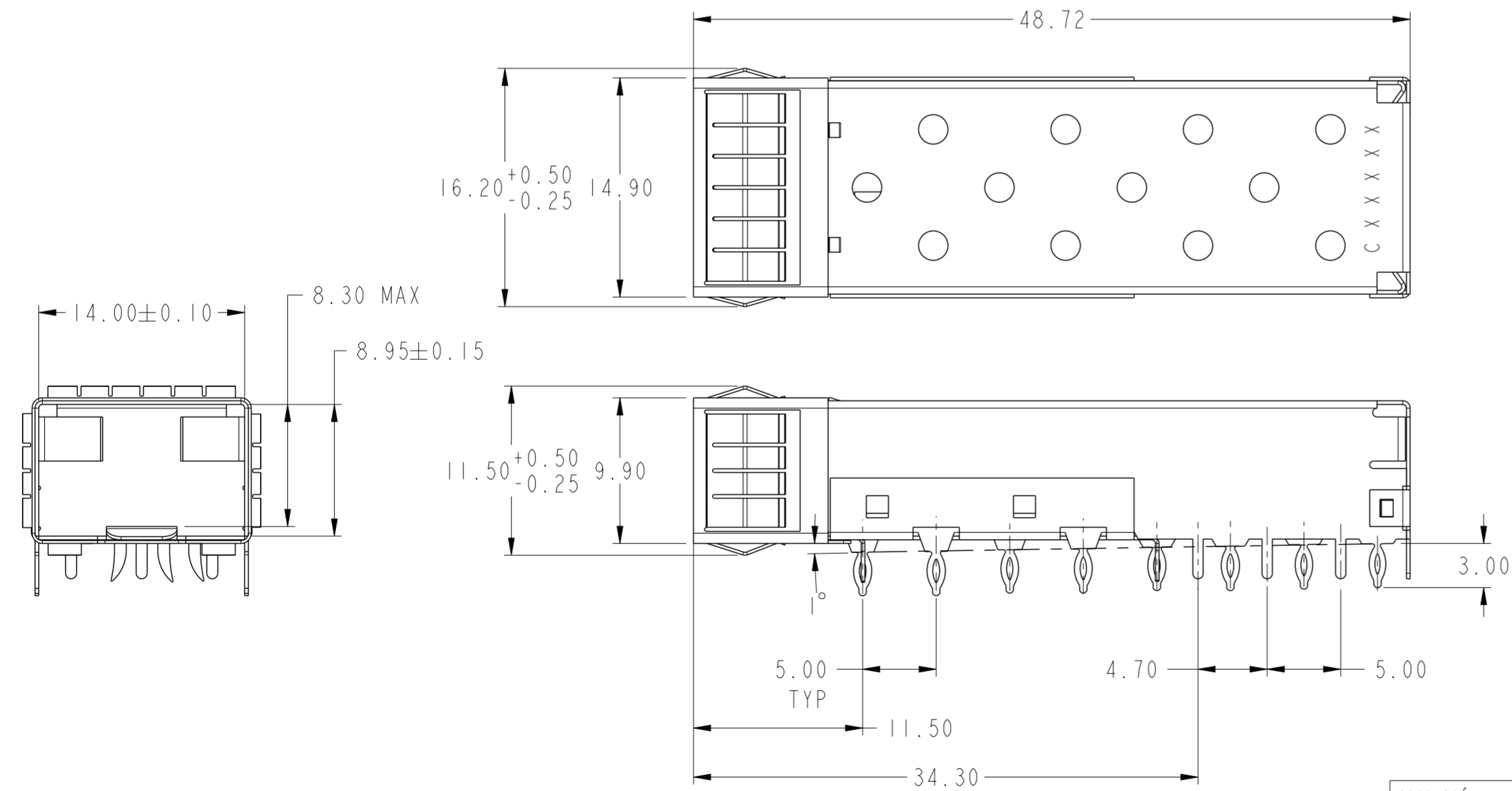


PRODUCT NUMBER	MOUNTING TYPE	PACKAGING
10099100-011LF	NORMAL(0 DEGREE ANGLE)	TRAY
10099100-021LF	PCIe(1 DEGREE ANGLE)	TRAY



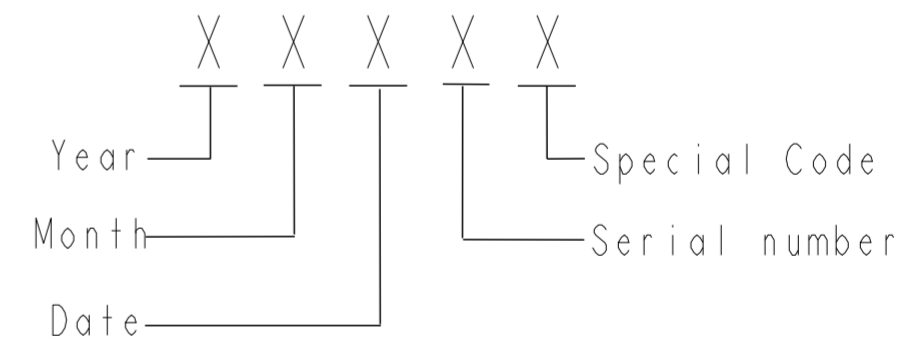
NORMAL TYPE (0 DEGREE ANGLE)



PCIe TYPE (1 DEGREE ANGLE)

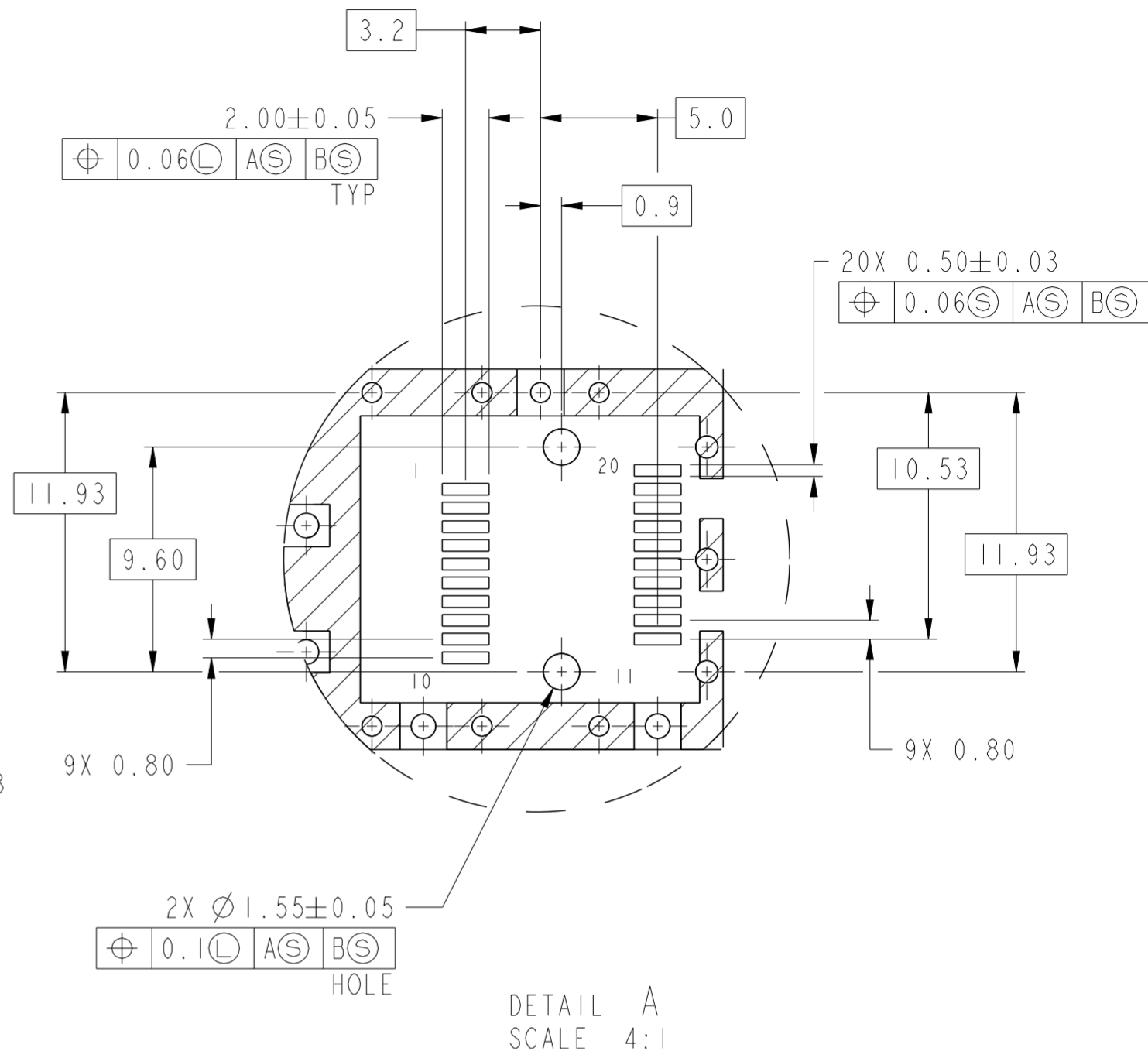
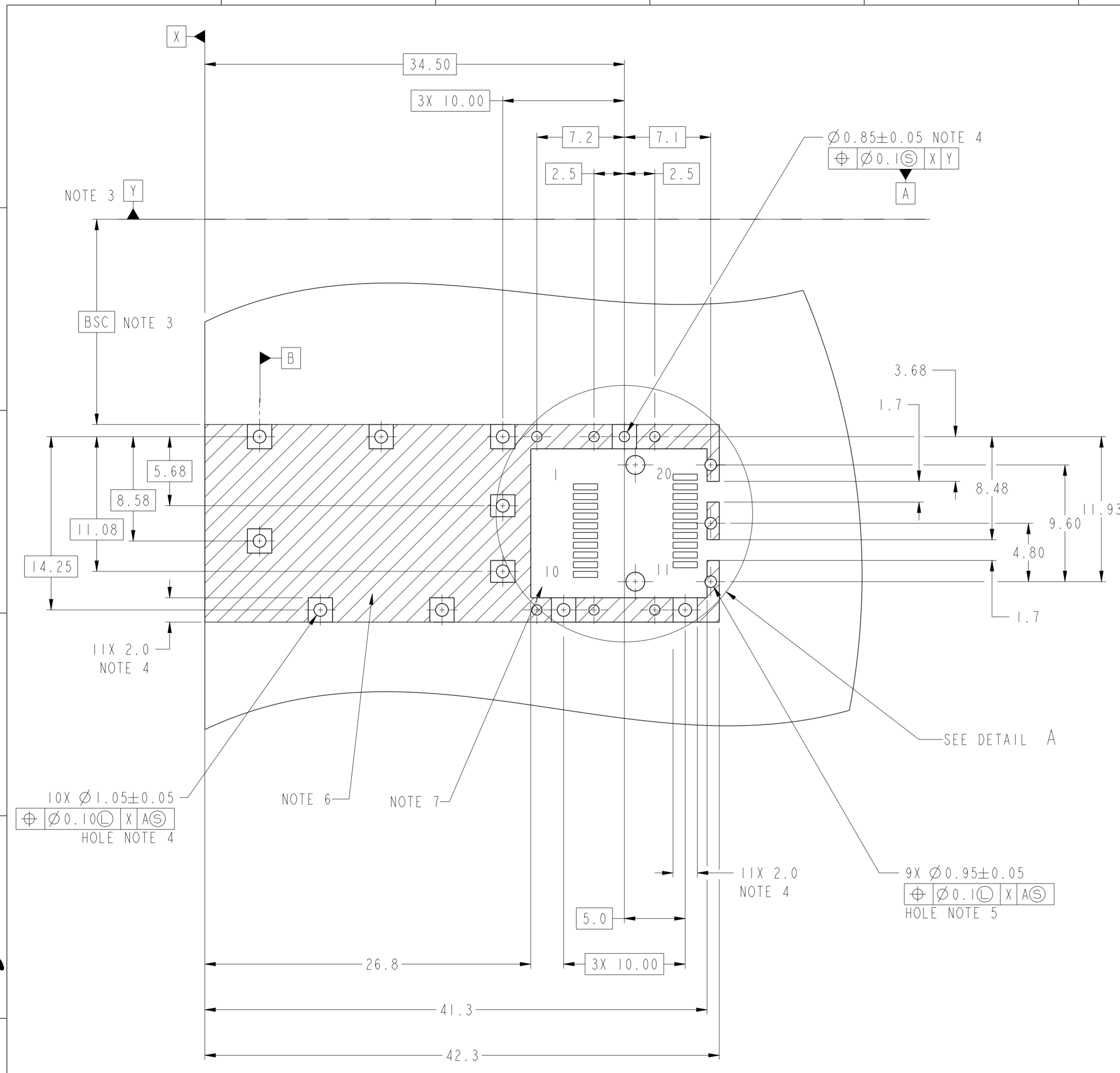
NOTES:

1. MATERIAL: COPPER ALLOY.
2. PLATING:
CAGE BODY: 1.27µm MIN. NICKEL PLATING OVER ALL.
EMI FINGER: 1.27µm MIN NICKEL PLATING OVER ALL.
3. DATUM AND BASIC DIMENSIONS ARE ESTABLISHED BY CUSTOMER.
4. PADS AND VIAS ARE CHASSIS GROUND, 11 PLACES.
5. THROUGH HOLES, PLATING OPTIONAL.
6. CROSS-HATCHED AREA DENOTES COMPONENT AND TRACE KEEP-OUT (EXCEPT CHASSIS GROUND).
7. THIS AREA DENOTES COMPONENT KEEP-OUT (TRACES ALLOWED).
8. PRODUCT SPECIFICATION: GS-12-616
9. APPLICATION SPECIFICATION: GS-20-125
10. PRODUCT MEETS EUROPEAN UNION DIRECTIVES AND OTHER COUNTRY REGULATIONS AS DESCRIBED IN GS-22-008.
11. DATE CODE BE PRINTED ON PROPER SURFACE.
12. PRINTED "C" MARK BEFORE DATE CODE FOR P/N:-021LF(PCIe TYPE).



DATE CODE DESCRIPTION

spec ref	RELEASE	dr	Andy Zhang	2010/11/03	projection	MM	size	A2	scale	2:1	
tolerance std	ASME Y14.5	eng	Andy Zhang	2012/02/09			ecn no	ELX-N-010226-1	rel level	Released	
TOLERANCES UNLESS OTHERWISE SPECIFIED		chr	-	appr							Rick Bian
surface	✓	linear	0.X	±0.25			title	SFP+ IXI Cage		dwg no	10099100
			0.XX	±0.15	www.fci.com			EMI FINGER TYPE		rev	D
		angular	0°	±2°	cat. no.			Product - Customer Drw		sheet 1 of 3	

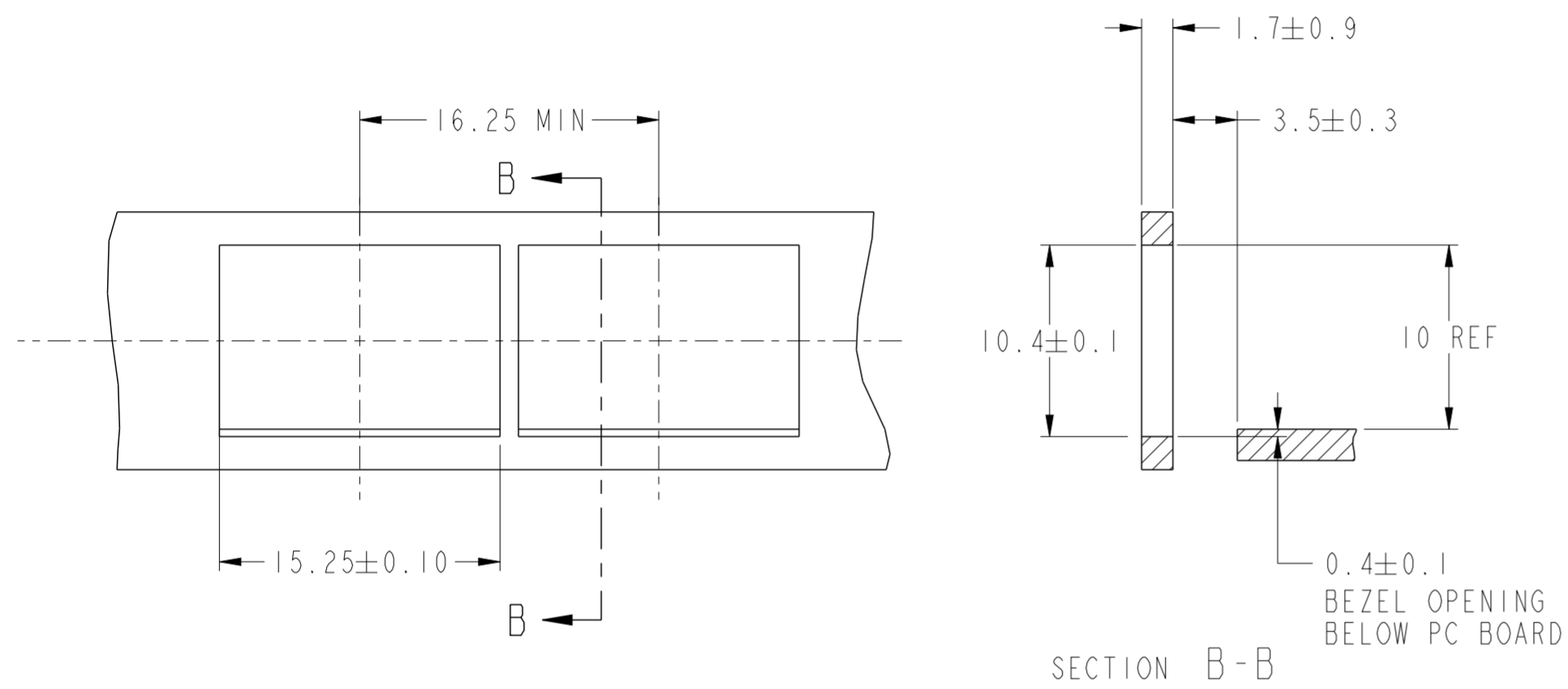


HOST BOARD MECHANICAL LAYOUT

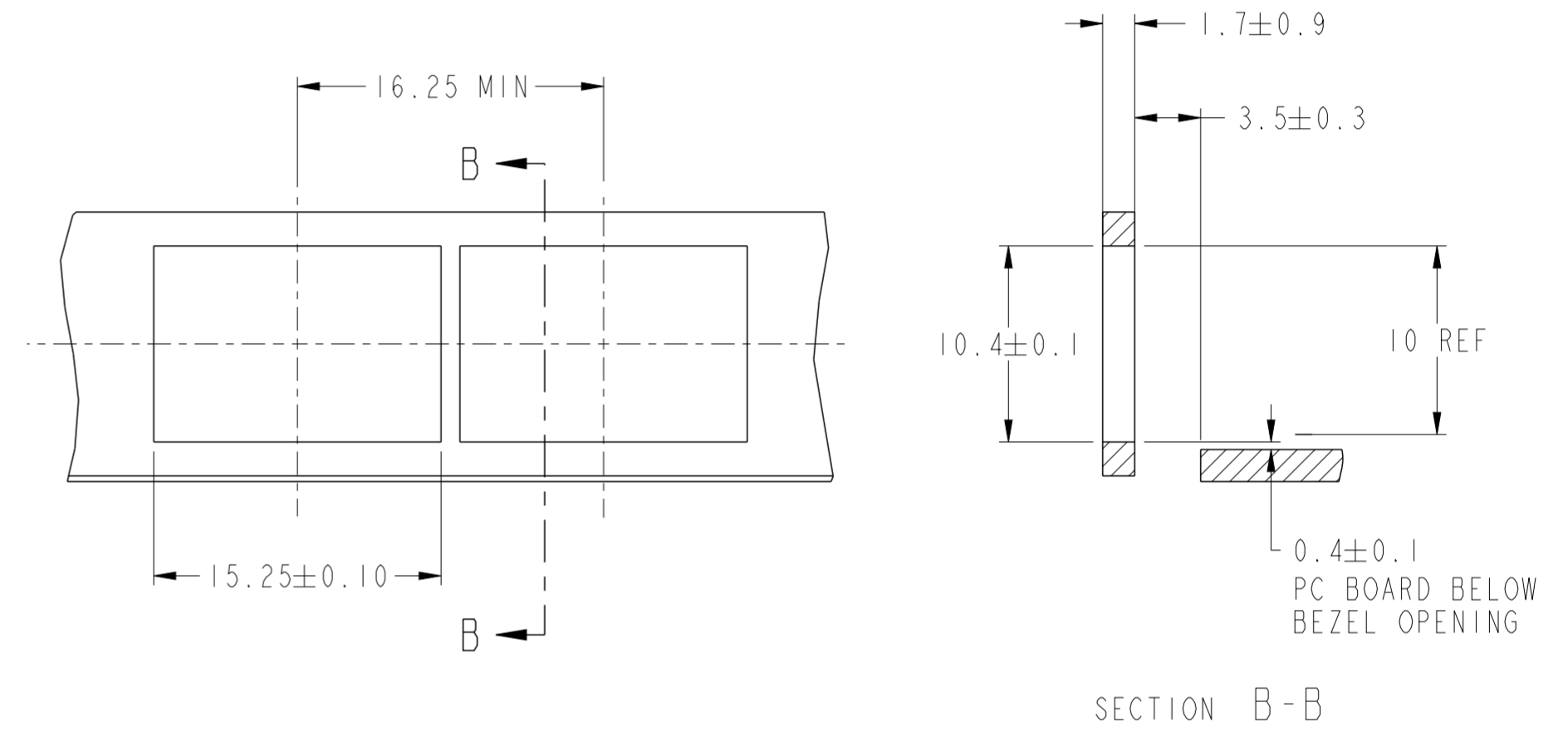
spec ref	RELEASE	dr	Andy Zhang	2010/11/03	projection	MM	size	A2	scale	2:1	
tolerance std	ASME Y14.5	eng	Andy Zhang	2012/02/09	chr	-	ecn no	ELX-N-010226-1	rel level	Released	
surface	✓	appr	Rick Bian	2012/02/15	product family	SFP+	rel level	Released	dwg no	10099100	
ASME Y14.5	linear	0.X	±0.25	0.XX	±0.15	0.XXX	±-	angular	0°	±2°	
		www.fci.com		title		SFP+ IXI Cage		EMI FINGER TYPE		rev	D
		PDS: Rev :D		STATUS:Released		Printed: Feb 15, 2012		Product - Customer Drw		sheet 2 of 3	

Copyright FCI.

PRODUCT NUMBER	MOUNTING TYPE
10099100-011LF	NORMAL TYPE
10099100-021LF	FCI _e TYPE



RECOMMENDED PANEL DESIGN
FOR NORMAL TYPE



RECOMMENDED PANEL DESIGN
FOR FCI_e TYPE

spec ref	RELEASE	dr	Andy Zhang	2010/1/03	projection	MM	size	A2	scale	2:1
tolerance std	ASME Y14.5	eng	Andy Zhang	2012/02/09			ecn no	ELX-N-010226-1	rel level	Released
TOLERANCES UNLESS OTHERWISE SPECIFIED		chr	-	product family						
surface	✓	appr	Rick Bian	2012/02/15	title	SFP+ IXI Cage		rev	D	
ASME Y14.5	linear	0.X	±0.25			cat. no.	-	Product - Customer Drw	sheet 3 of 3	rev
	0.XX	±0.15								
	0.XXX	±								
	angular	0°	±2°							