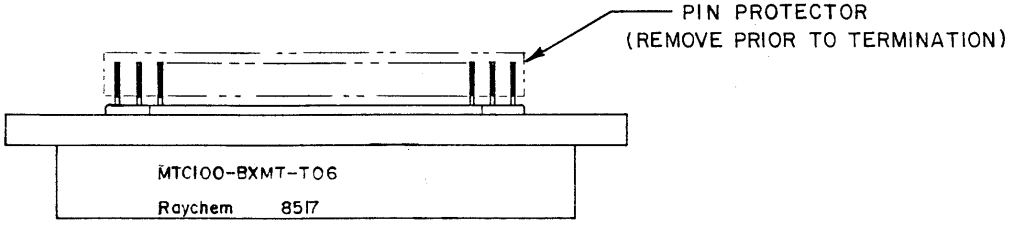
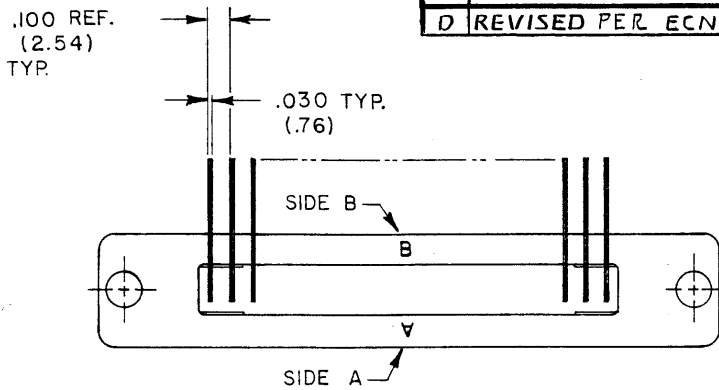
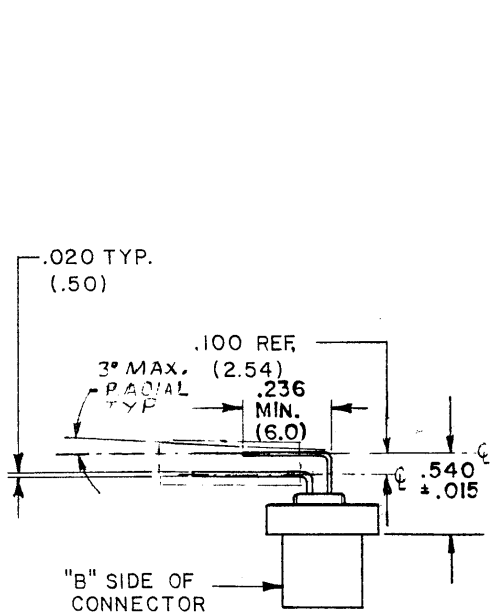


REVISIONS			
LTR	DESCRIPTION	DATE	APPROVED
C	REVISED PER ECN T-07029		MB
D	REVISED PER ECN T-013853	90MAR23	MB



If this document is printed it becomes uncontrolled.
Check with the web for latest revision.

3. CONTACT TERMINATION TAILS ARE PRE-TINNED WITH Sn 63 SOLDER PER QQ-S-571.
2. REFER TO RAYCHEM DWG. MTC100-BXMT-006 FOR ADDITIONAL INFORMATION.
1. THIS CONNECTOR IS THE SAME AS MTC100-BXMT-006 EXCEPT THE CONTACT TERMINATION POSTS ARE BENT 90° TO THE DIMENSIONS SHOWN HEREON.

NOTES:

SPECIFICATION CONTROL DRAWING © Raychem Corporation 198

DRAWN	CACELA	12-22-83	Raychem <small>RAYCHEM CORPORATION 300 CONSTITUTION DRIVE MENLO PARK, CALIFORNIA 94025</small>		
CHECKED					
APPROVED		1-6-84	TITLE <u>MODIFICATION</u>		
APPROVED		5-16-84	RECEPTACLE, BOX MOUNT, FLANGED, 2", RECTANGULAR POST BENT 90°, 125° C MAX. OPERATING TEMPERATURE, MTC100 SERIES		
UNLESS OTHERWISE SPECIFIED DIMENSIONS ARE IN INCHES. METRIC DIMENSIONS ARE IN PARENTHESIS			SIZE	CODE IDENT. NO.	DWG. NO.
DO NOT SCALE THIS DRAWING			B	06090	MTC100-BXMT-T06-002
			WEIGHT	SHEET OF	