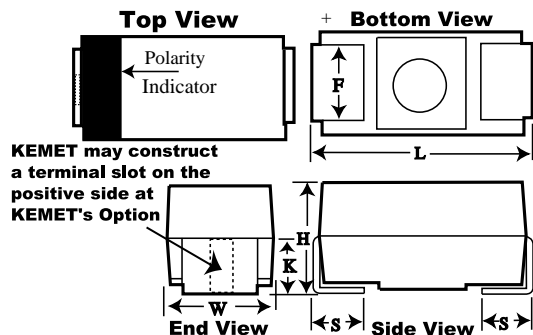


B45196H, Tantalum, MnO2 Tantalum, 47 uF, 20%, 16 V, SMD, Molded, 1.4 Ohms, 6032, Height Max = 2.8mm



| General Information | |
|---------------------|---------------|
| Supplier: | KEMET |
| Series: | B45196H |
| Dielectric: | MnO2 Tantalum |
| Style: | SMD Chip |
| Description: | SMD, Molded |
| Features: | Automotive |
| RoHS: | Yes |
| Termination: | Tin |
| Notes: | Obsolete |

| Dimensions | |
|------------|----------------|
| Footprint | 6032 |
| L | 6mm +/-0.3mm |
| W | 3.2mm +/-0.3mm |
| H | 2.5mm +/-0.3mm |
| S | 1.3mm +/-0.3mm |
| F | 2.2mm +/-0.1mm |
| K | 1.8mm TYP |

| Packaging Specifications | |
|--------------------------|------------|
| Packaging: | T&R, 330mm |
| Packaging Quantity: | 3000 |

| Specifications | |
|------------------------|--|
| Capacitance: | 47 uF |
| Capacitance Tolerance: | 20% |
| Voltage DC: | 16 VDC (85C), 10.72 VDC (125C) |
| Temperature Range: | -55/+125C |
| Rated Temperature: | 85C |
| Dissipation Factor: | 6% |
| Failure Rate: | N/A |
| Resistance: | 1.4 Ohms (100kHz) |
| Current: | 280.3 mAmps (25C), 252.3 mAmps (85C), 112.1 mAmps (125C) |
| Leakage Current: | 7.5 uA |