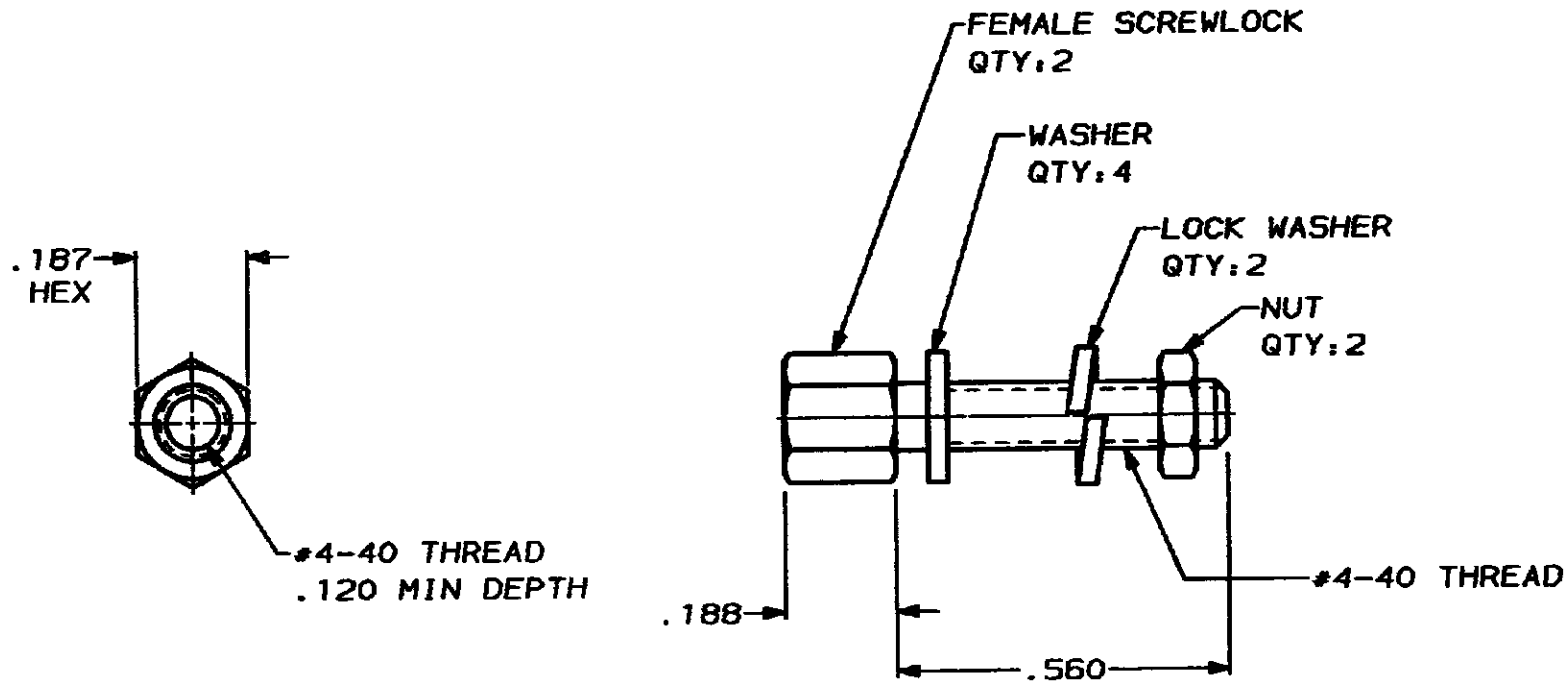


DRAWING MADE IN THIRD ANGLE PROJECTION

THIS DRAWING IS UNPUBLISHED. RELEASED FOR PUBLICATION .19  
© COPYRIGHT 19 BY AMP INCORPORATED. ALL INTERNATIONAL RIGHTS RESERVED.

MOD 8 LOC BD DIST 39

REVISIONS				DATE	APPD
ZONE	LTR	DESCRIPTION			
	B	REDRAWN ON CAD	4-12-88	-	



- 1 ZINC PLATED PER ASTM B633, TYPE II, CLASS SCI, YELLOW CHROMATE.
- 2 ZINC PLATED PER ASTM B633, TYPE III, CLASS SCI, CLEAR CHROMATE.
- 3. PARTS PACKAGED UNASSEMBLED.
- 4 PARTS PACKAGED AS A UNIT KIT.
- 5 PARTS INDIVIDUALLY BULK PACKED & SHIPPED AS A UNIT PACKAGE.

PACKAGING	FINISH	PART NUMBER
5	2	207719-4
4	2	207719-3
5	1	207719-2
4	1	207719-1

DO NOT SCALE PRINT.  
DIMENSIONS UNLESS OTHERWISE SPECIFIED  
DIMENSIONS IN INCHES  
TOLERANCES ON:  
2 PLC DEC ± .005  
3 PLC DEC ± .003  
ANGLES ± .5

OR 4-12-88  
J. GALLAGHER  
CHK - 6-15-88  
APPROVED: [Signature]  
DATE: 7-16-90  
MATERIAL: GOLD ROLLED STEEL PER ASTM A108  
FINISH: SEE TABLE

**AMP** AMP INCORPORATED  
Harrisburg, Pa. 17105

SCREWLOCK FEMALE ASSEMBLY, AMPLIMITE™ HD-20

SIZE: B FSCR NO: 00779 DRAWING NO: 207719  
SCALE: 4:1 SHEET: 1 OF 1

CUSTOMER DRAWING