



## 8 dBi Panel Antenna 902-928 MHz RP-TNC Connector

### Antennas Technical Data Sheet

PE51FP1005-3

#### Features

- Vertical or Horizontal Polarization
- Light Weight
- Low Loss
- 4 ft. Coax Lead
- Durable UV Stable
- UL Flame Rated Radome

#### Applications

- Cellular, GSM
- Wireless LAN Systems
- 900 MHz ISM Band
- LPWAN, LoRA, IoT, M2M Applications
- SCADA, RFID

#### Description

The Pasternack PE51FP1005-3 high gain flat panel antenna provides 8 dBi gain with broad coverage. It is suitable for both indoor and outdoor wireless LAN and wireless video applications in the 900MHz ISM band, GSM, 900MHz cellular, RFID, LPWAN, IoT, and M2M applications.

The reverse polarity TNC male connectorized PE51FP1005-3 construction features sealed internal elements and an aesthetic UV-stable, UL flame rated white plastic radome. Can be wall or mast mounted using U-bolts.

This flat panel antenna, as well as our wide selection of superior quality RF devices, ships same day. Contact our knowledgeable and friendly technical support and sales staff for your answers on antennas or other Pasternack products.

#### Configuration

Design	Panel
Application Band	RFID  SCADA  LPWAN  ISM
Band Type	Single
Radiation Pattern	Directional
Polarization	Vertical or Horizontal
Cable Length	48 in [121.92 cm]
Connector Type	TNC Male Reverse Polarity
Number of Ports	1

#### Electrical Specifications

Description	Minimum	Typical	Maximum	Units
Frequency Range	902		928	MHz
Input VSWR		1.5:1	1.5:1	
Impedance		50		Ohms
Gain		8		dBi
Horizontal (Azimuth) Beam Width		75		Degrees
Vertical (Elevation) Beam Width		65		Degrees

#### Specifications by Band

Description	Band 1	Band 2	Band 3	Band 4	Band 5	Units
Range	902-928					MHz

Click the following link (or enter part number in "SEARCH" on website) to obtain additional part information including price, inventory and certifications: [8 dBi Panel Antenna 902-928 MHz RP-TNC Connector PE51FP1005-3](#)



## 8 dBi Panel Antenna 902-928 MHz RP-TNC Connector

### Antennas Technical Data Sheet

PE51FP1005-3

Gain	8	dBi
Horizontal Beam Width	75	Degrees
Vertical Beam Width	65	Degrees

#### Mechanical Specifications

Radome Material	ASA
<b>Size</b>	
Overall Length	8.5 in [215.9 mm]
Width	8.5 in [215.9 mm]
Height	1.2 in [30.48 mm]
Weight	1.17 lbs [530.7 g]
Color	White

#### Environmental Specifications

<b>Temperature</b>	
Operating Range	-20 to +60 deg C
Environment	UL-94HB
Wind Loading	150 MPH [241.4 KPH]

**Compliance Certifications** (see [product page](#) for current document)

#### Plotted and Other Data

Notes:

8 dBi Panel Antenna 902-928 MHz RP-TNC Connector from Pasternack Enterprises has same day shipment for domestic and International orders. Our RF, microwave and millimeter wave products maintain a 99.4% availability and are part of the broadest selection in the industry.

Click the following link (or enter part number in "SEARCH" on website) to obtain additional part information including price, inventory and certifications: [8 dBi Panel Antenna 902-928 MHz RP-TNC Connector PE51FP1005-3](#)

URL: <https://www.pasternack.com/single-antenna-902-928-mhz-8-dbi-gain-tnc-pe51fp1005-3-p.aspx>

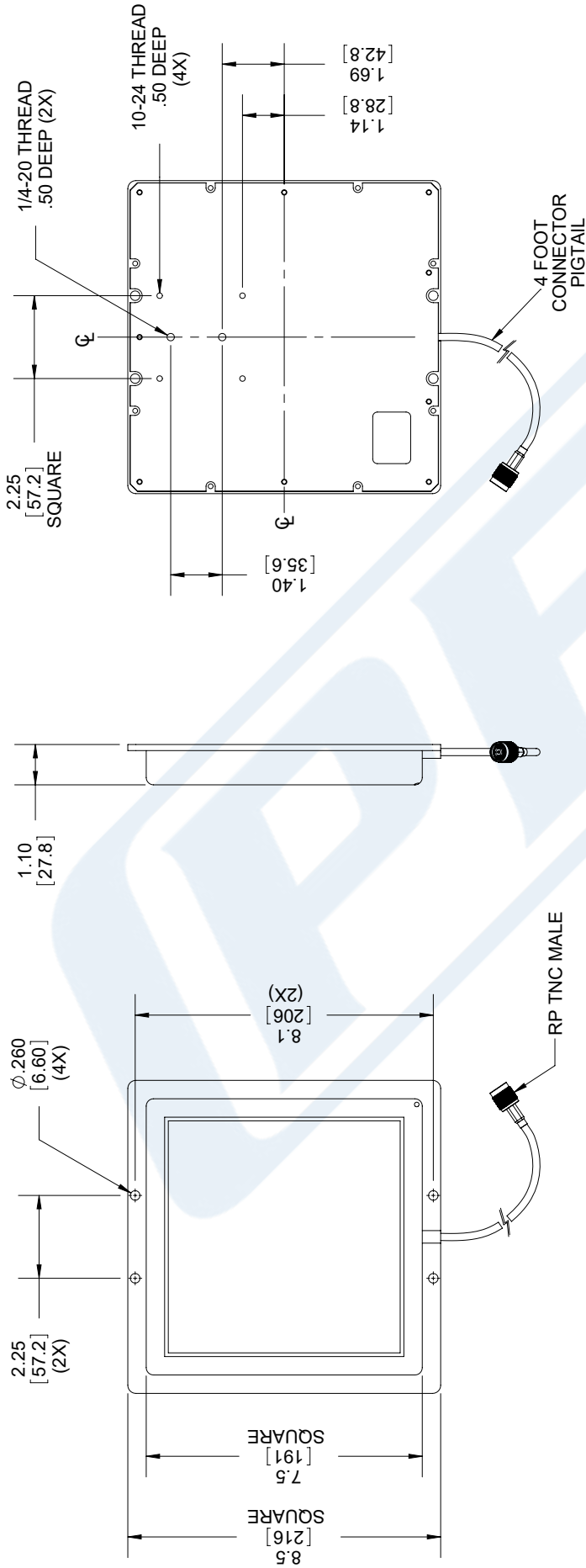
The information contained in this document is accurate to the best of our knowledge and representative of the part described herein. It may be necessary to make modifications to the part and/or the documentation of the part, in order to implement improvements. Pasternack reserves the right to make such changes as required. Unless otherwise stated, all specifications are nominal. Pasternack does not make any representation or warranty regarding the suitability of the part described herein for any particular purpose, and Pasternack does not assume any liability arising out of the use of any part or documentation.

# PE51FP1005-3 CAD Drawing

## 8 dBi Panel Antenna 902-928 MHz RP-TNC Connector

### REVISIONS

REV.	DESCRIPTION	DATE	APPROVED
A	INITIAL RELEASE	8/5/2020	K.HIETPAS



UNLESS OTHERWISE SPECIFIED  
LEADING DIMENSIONS ARE INCHES  
DIMENSIONS IN [ ] ARE MILLIMETERS

TOLERANCES:

.X = ±.2 [5.08] FRACTIONS ± 1/32

.XX = ±.02 [.51] ANGLES ± 1°

.XXX = ±.005 [.13] CABLE LENGTH (L) TOLERANCES:

L ≤ 12 [305] = +1 [25] / -0

12 [305] < L ≤ 60 [1524] = +2 [51] / -0

60 [1524] < L ≤ 120 [3048] = +4 [102] / -0

120 [3048] < L ≤ 300 [7620] = +6 [152] / -0

300 [7620] < L = +5% L / -0

ALL DIMENSIONS SHOWN  
ARE FOR REFERENCE ONLY.

THIRD-ANGLE PROJECTION

THE INFORMATION AND  
DESIGN IN THIS DOCUMENT  
IS THE PROPERTY OF  
PASTERNAK CORPORATION  
ALL RIGHTS RESERVED.

SHEET 1 OF 1

SCALE N/A

REV A



Pasternack Enterprises, Inc.

P. O. Box 16759, Irvine, CA 92623.

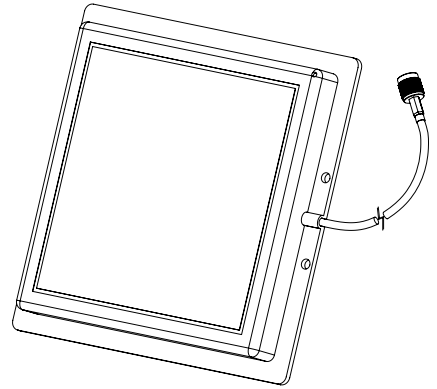
Phone: 1.949.261.1920 | 1.866.727.8376

Fax: 1.949.261.7451

Website: www.pasternack.com

E-mail: sales@pasternack.com

SIZE A CAGE CODE 53919 DRAWN BY K.DANG ITEM NO. PE51FP1005-3 REV A



**REGULATORY COMPLIANCE:**  
EU ROHS DIRECTIVE (MOST RECENT RELEASED VERSION)

THESE COMMODITIES, TECHNOLOGY OR SOFTWARE WERE EXPORTED FROM THE UNITED STATES IN ACCORDANCE WITH THE EXPORT ADMINISTRATION REGULATIONS. DIVERSION CONTRARY TO U.S. LAW PROHIBITED.