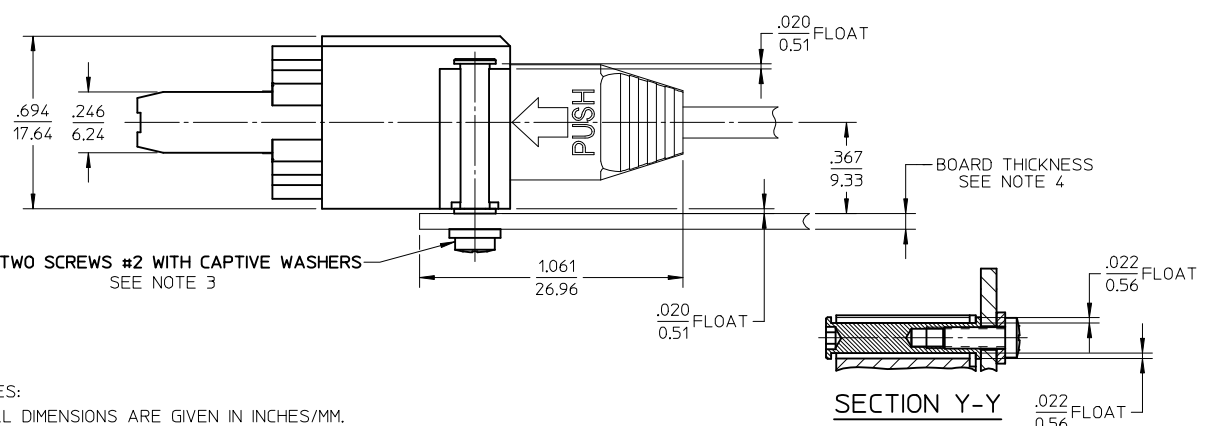
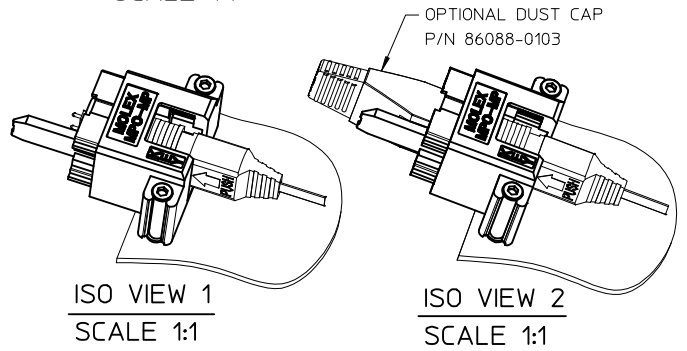


RECOMMENDED MOUNTING PATTERN SCALE 1:1



SECTION Y-Y SCALE 1:1



- NOTES:
- ALL DIMENSIONS ARE GIVEN IN INCHES/MM.
  - BOARD THICKNESS FROM .063" TO .094"/1.6mm TO 2.4mm.
  - TWO SCREWS ARE INSTALLED BY USER.  
RECOMMENDED TORQUE: 2.5 TO 4 INCH.LBS (0.28 TO 0.45 N.m).  
DEPENDING ON SUBSTRATE MATERIAL.  
USER IS RESPONSIBLE TO DETERMINE THE PROPER TORQUE.
  - MIDPLANE, FRONT BOARD AND REAR TRANSITION MODULE (RTM) SHOULD HAVE ALIGNMENT AND KEYING ACCORDING TO ATCA REQUIREMENTS.
  - NO OPTICAL CONNECTIONS SHALL BE MADE UNTIL MIDPLANE (BACKPLANE) ALIGNMENT PINS CONNECTED WITH FEMALE RECEPTACLES OF THE FRONT BOARD AND REAR TRANSITION MODULE (RTM).

<b>ENTER DESCRIPTION</b> EC NO: MF2006-0243 DRAWN: YBELENYI 2005/10/25 CHKD: 2005/10/25 APPR: IMAKHLIN 2005/10/25	<b>QUALITY SYMBOLS</b> ▽=0 ▽=0	<b>GENERAL TOLERANCES (UNLESS SPECIFIED)</b>		<b>DIMENSION STYLE</b> IN/MM		SCALE 2:1	DESIGN UNITS INCH	THIRD ANGLE PROJECTION			
		4 PLACES ± --- ± ---	3 PLACES ± --- ± ---	2 PLACES ± --- ± ---	1 PLACE ± --- ± ---	mm	INCH	DRAWN BY DATE YB 10.13.05		<b>TITLE</b> MPO MIDPLANE CONNECTOR	
		ANGULAR ± --- °				CHECKED BY DATE SM 10.13.05		<b>MATERIAL NO.</b> 1060880200			
		DRAFT WHERE APPLICABLE MUST REMAIN WITHIN DIMENSIONS				APPROVED BY DATE IM 10.13.05		<b>DOCUMENT NO.</b> SD-106088-0200			SHEET NO. 1 OF 1
THIS DRAWING CONTAINS INFORMATION THAT IS PROPRIETARY TO MOLEX INCORPORATED AND SHOULD NOT BE USED WITHOUT WRITTEN PERMISSION											