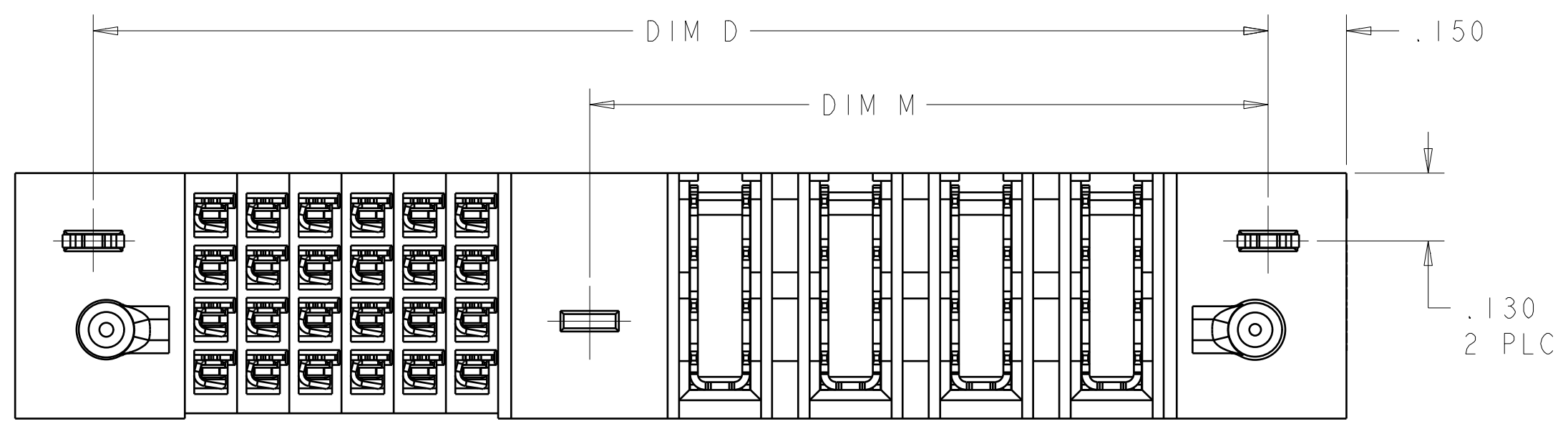
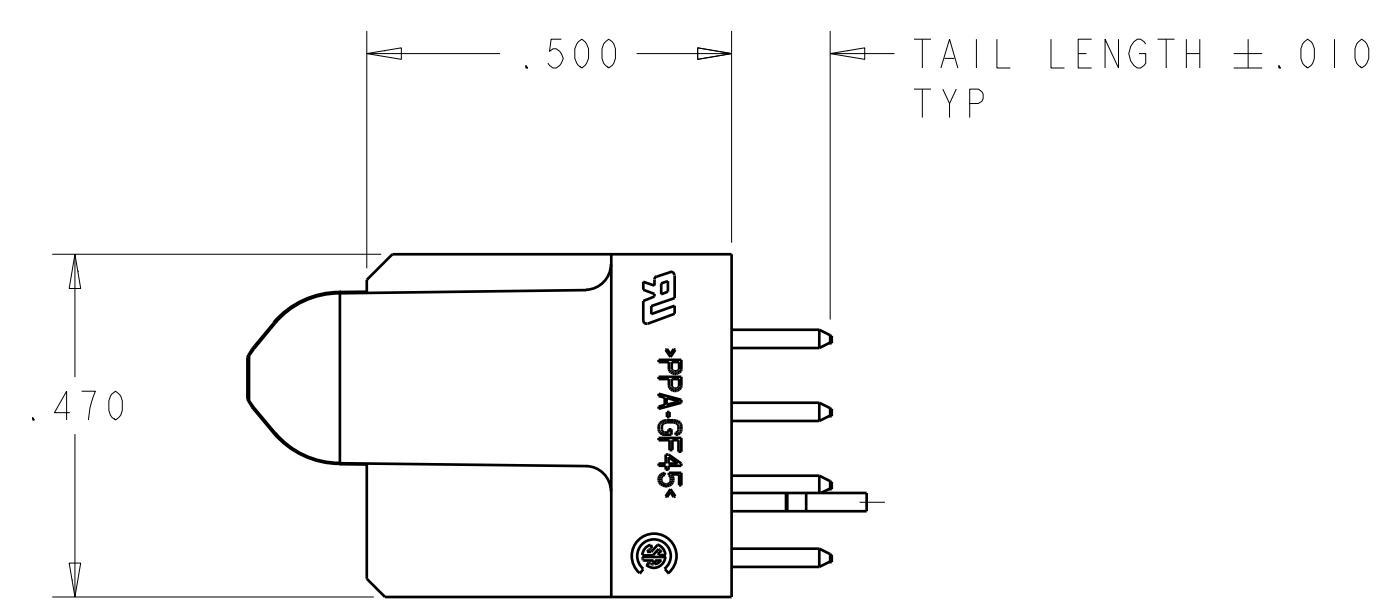
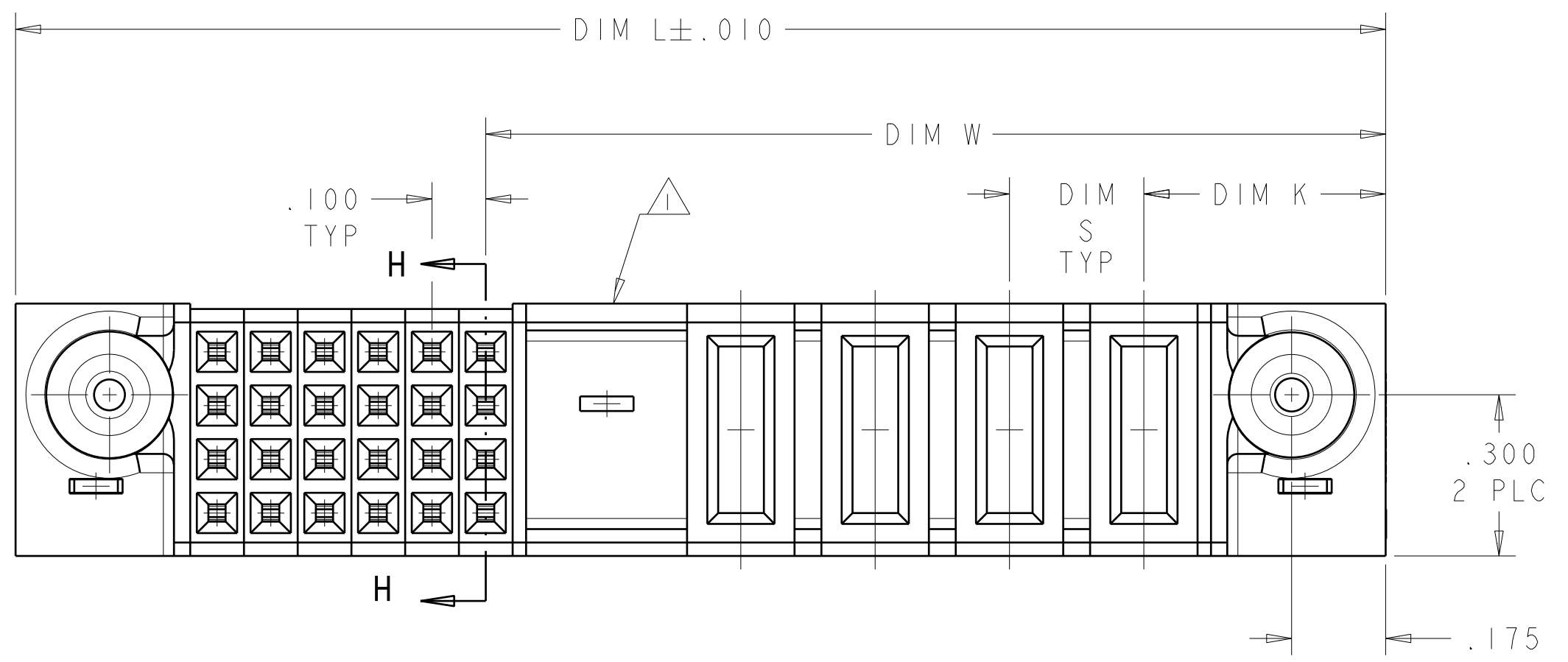
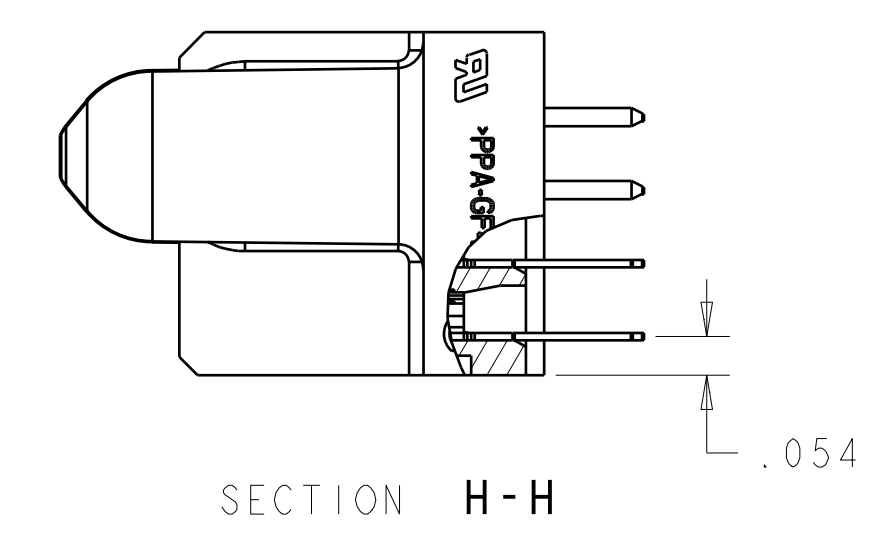
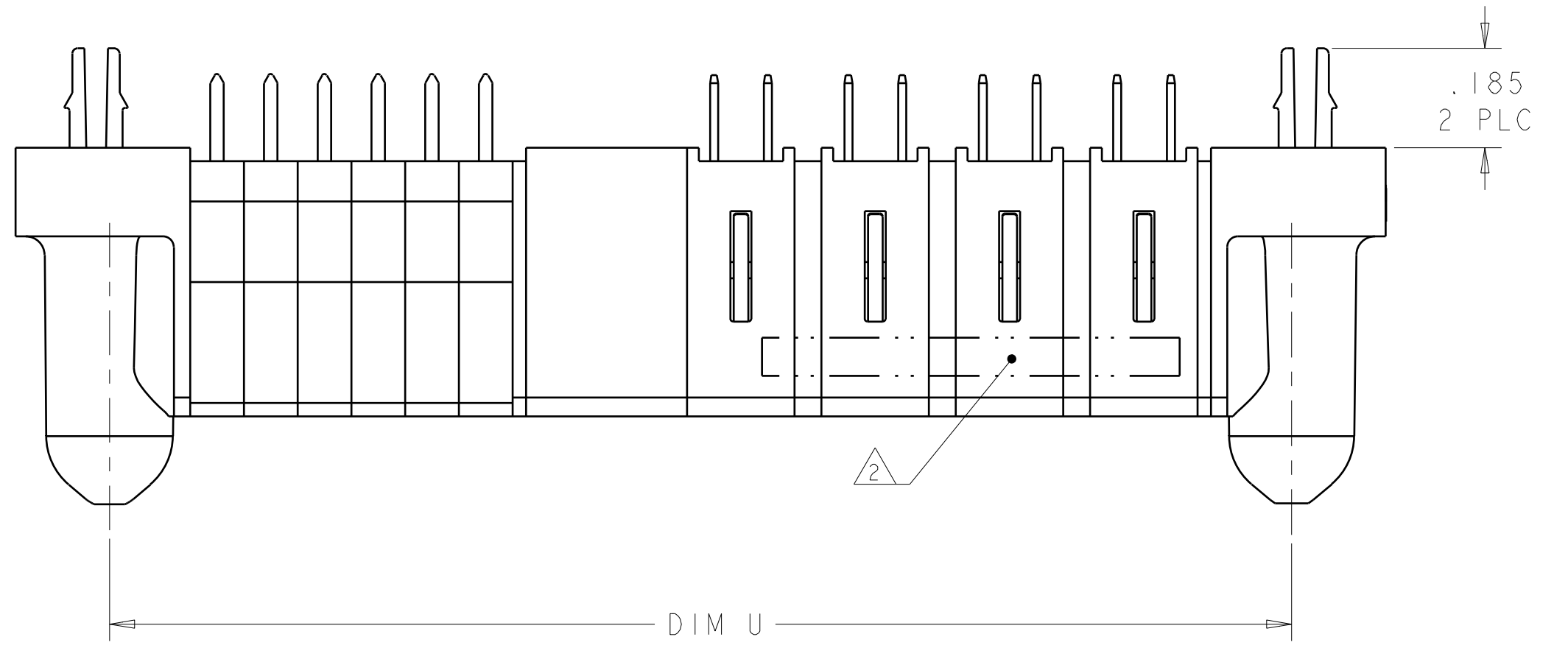


REV	DATE	DESCRIPTION	DATE	DWN	APPD
A	22NOV2006	REV PER ECR-06-027562	22NOV2006	S.L.	S.Y.



- △ OPTIONAL CENTER MODULE, WITH Ø.150 THRU HOLE OR HOLD DOWN FEATURE
- △ "AMP", PART NUMBER, AND DATE CODE TO BE MARKED IN AREA SHOWN.
- △ MATERIAL: HOUSING - GLASS FILLED HIGH TEMP THERMO PLASTIC, UL94 V-O
 SIGNAL CONTACT - HIGH CONDUCTIVITY COPPER ALLOY
 POWER CONTACT - HIGH CONDUCTIVITY COPPER ALLOY
- △ CONTACT PLATING: SIGNAL CONTACTS - .000050 MIN Ni UNDER ALL
 .000030 MIN Au ON CONTACT AREA
 .000100 MIN Sn at PCB INTERFACE
 POWER CONTACTS - .000050 MIN Ni UNDER ALL
 .000030 MIN Au ON CONTACT AREA
 .000100 MIN Sn AT PCB INTERFACE
- △ MECHANICAL CONNECTOR KEEP OUT ZONE
- △ DATUM AND BASIC DIMENSIONS ESTABLISHED BY CUSTOMER
- △ PCB - ALL HOLE DIAMETERS ARE FINISHED HOLE SIZES
- △ PCB - .0453 +/- .0010 DRILLED HOLES PLATED WITH .0003 MIN Sn
 OVER .001 TO .003 PLATING TO ACHIEVE A .040 DIA HOLE
 9 POWER CONTACT AREA LUBRICATED WITH LUBRICANT



4.500	.250	3.875	4.550	-	4.850	.450	14P + 28S	1892402-1
U	S	W	D	M	L	K	DESCRIPTION	PART NUMBER
DIMENSIONS: INCHES TOLERANCES UNLESS OTHERWISE SPECIFIED: 0 PLC ±. 1 PLC ±.01 2 PLC ±.01 3 PLC ±.005 4 PLC ±.0020 ANGLES ±.0°							NAME: VERTICAL RECEPTACLE ASSEMBLY WITH GUIDES MULTI-BEAM XL SIZE: CAGE CODE: DRAWING NO: 114-13038 WEIGHT: - RESTRICTED TO: -	
MATERIAL: 3 FINISH: 4 CUSTOMER DRAWING							Tyco Electronics Harrisburg, PA 17105-3608 00779 ©=1892402 SCALE: 4:1 SHEET 1 OF 2 REV A	

