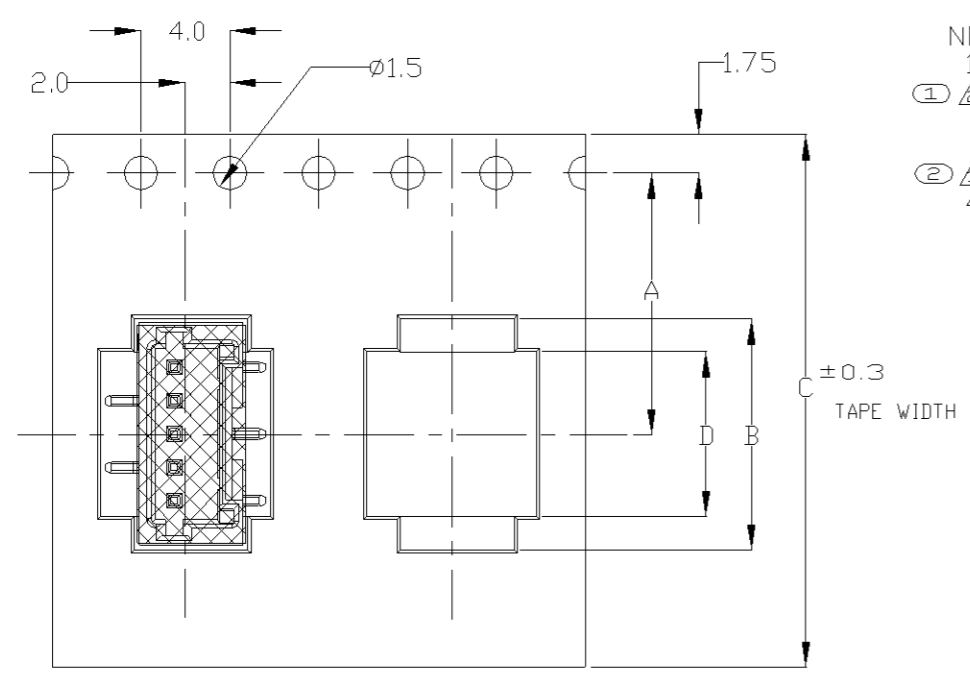
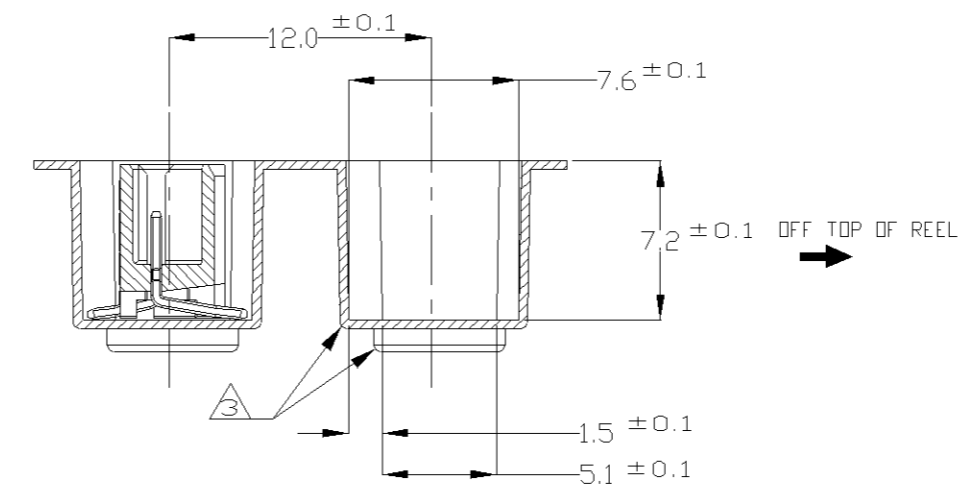
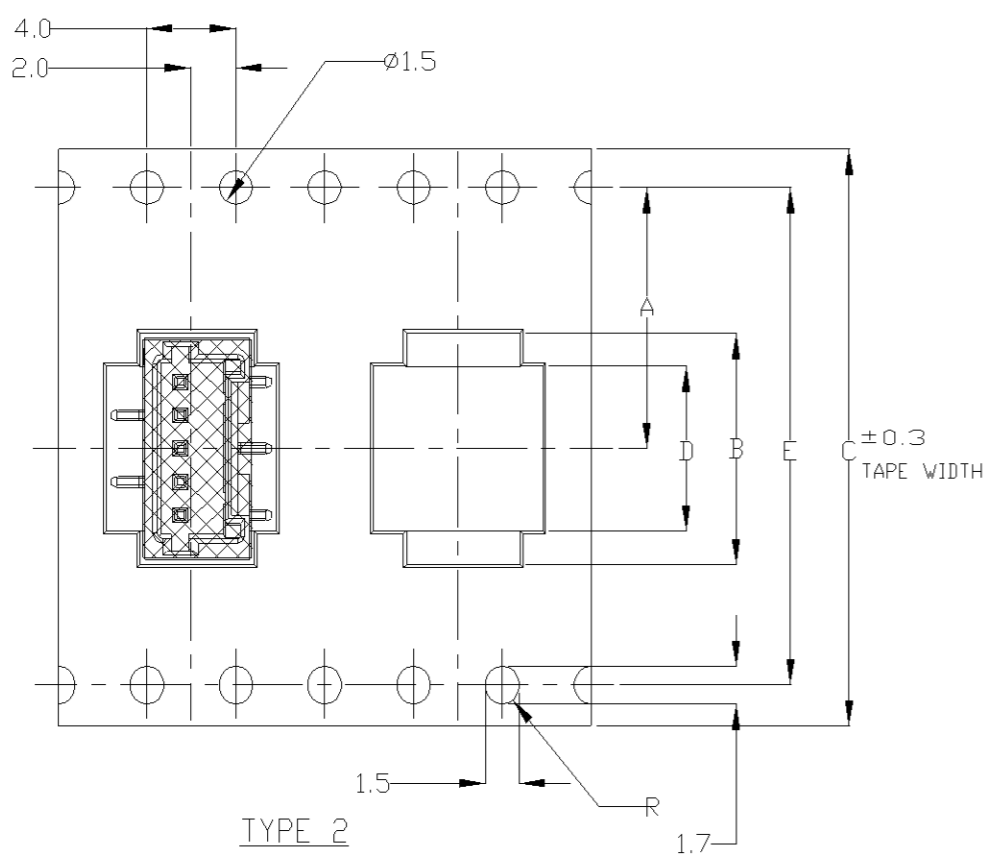
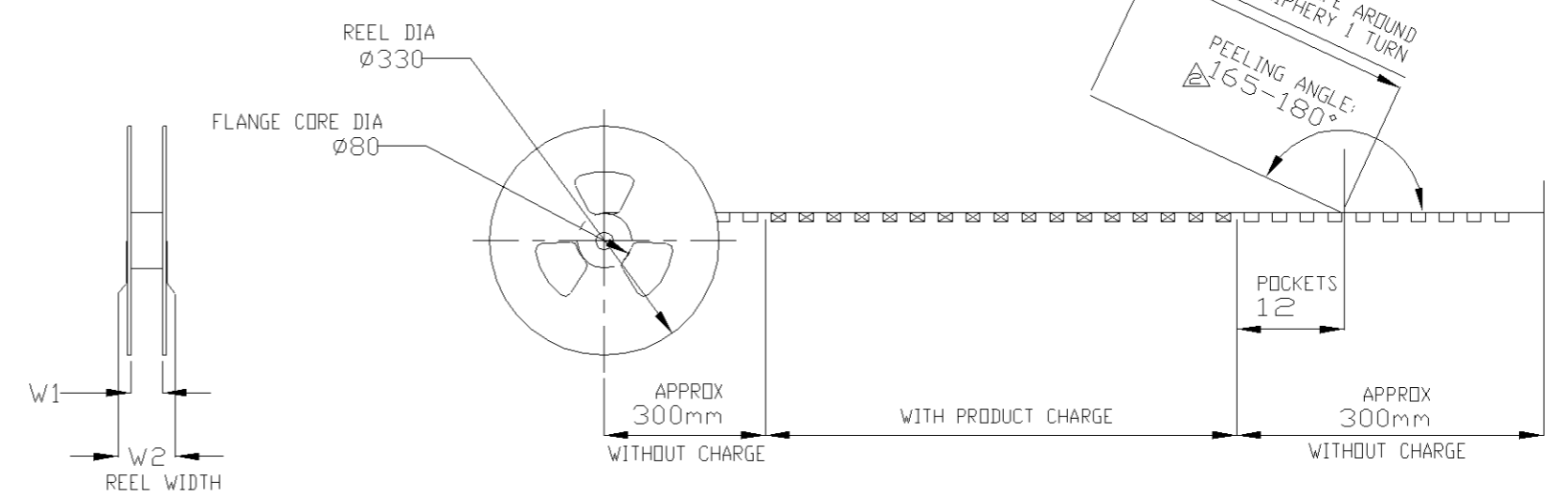
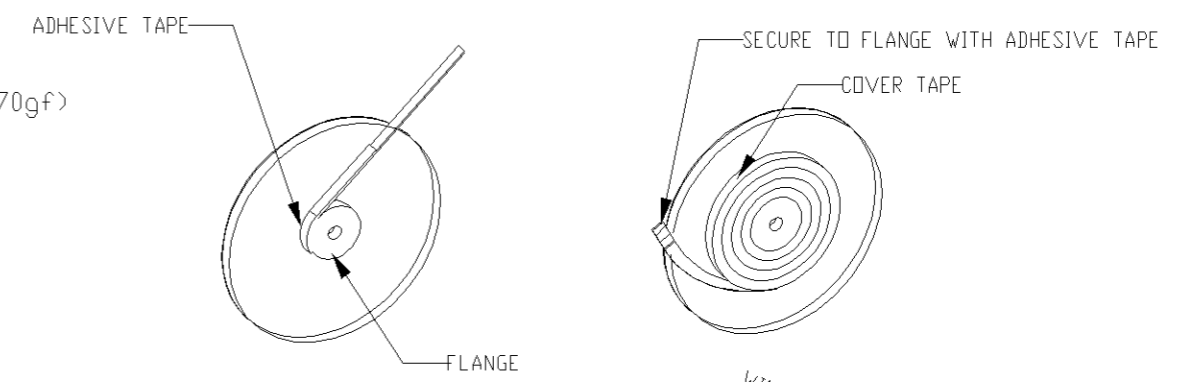


THIS DRAWING IS UNPUBLISHED. RELEASED FOR PUBLICATION
 © COPYRIGHT BY TYCO ELECTRONICS CORPORATION. ALL RIGHTS RESERVED.

LOC	DIST	REVISIONS				
P	LTR	DESCRIPTION	DATE	DWN	APVD	
ES	00	REVISED	ECR-10-004076	02MAR10	C.Z	S.Y
	A1					



NOTE:
 1. PACKAGING SPEC: 107-51081
 ① PEELING STRENGTH: 0.20-0.69N (20-70gf)
 PEELING ANGLE: 165-180°
 PEELING SPEED: 300mm/MINUTE.
 ② NO DEFORMATION ON REEL
 4. INSPECTION NO. ①-②



THIS DRAWING IS A CONTROLLED DOCUMENT.		DWN	Roy Hao	24AUG04	Tyco Electronics Corporation Shanghai, P.R.China, 200233
DIMENSIONS: mm		CHK	Steven Yao	24AUG04	
TOLERANCES UNLESS OTHERWISE SPECIFIED: 0 PLC ± - 1 PLC ± - 2 PLC ± - 3 PLC ± - 4 PLC ± - ANGLES ± - MATERIAL FINISH -		APVD	I.Enomoto	24AUG04	
		PRODUCT SPEC	NAME		
MATERIAL		APPLICATION SPEC	SINGLE ROW POST HEADER (V) SMT TYPE W/O BOSS W/ POLYIMIDE TAPE EMBOSS PACKAGED AMP MINI CT CONN.		
		WEIGHT	SIZE	A3	CAGE CODE
		CUSTOMER DRAWING	DRAWING NO	C=292371	RESTRICTED TO
		SCALE	NON	SHEET	1 OF 4
			REV	A1	

4

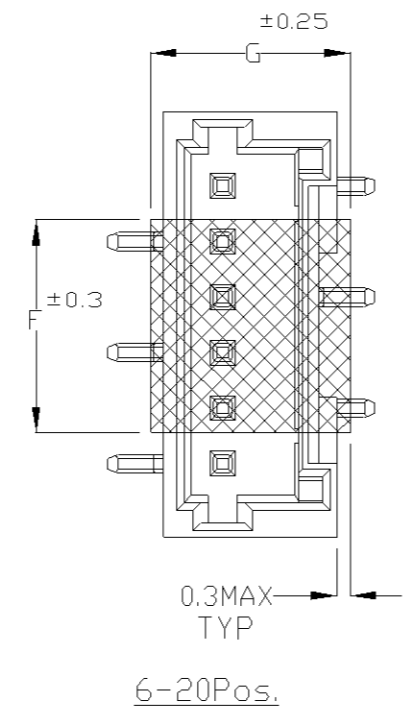
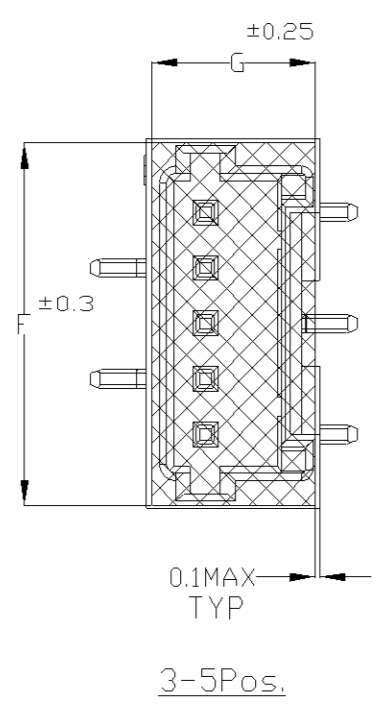
3

2

1

THIS DRAWING IS UNPUBLISHED. RELEASED FOR PUBLICATION
 © COPYRIGHT BY TYCO ELECTRONICS CORPORATION. ALL RIGHTS RESERVED.

LOC	DIST	REVISIONS					
ES	00	P	LTR	DESCRIPTION	DATE	DWN	APVD
		-		SEE SHEET 1	-	-	-



Tape Type	W2	W1	G	F	E	D	C	B	A	QTY/REEL	POS	COLOR	CONNECTOR W/ POLYIMIDE TAPE P/N		ON TAPE P/N		
													5-292372-3	5-292371-3	5-	-	5-
TYPE 2	49.5	45.5	5.0	9.5	40.4	29.9	44	32.9	20.2±0.15	500	20	BLACK	7-	-0	7-	-0	
	49.5	45.5			40.4	28.4	44	31.4		500	19		6-	-9	6-	-9	
	49.5	45.5			40.4	26.9	44	29.9		500	18		6-	-8	6-	-8	
	49.5	45.5			40.4	25.4	44	28.4		500	17		6-	-7	6-	-7	
	49.5	45.5			40.4	23.9	44	26.9		500	16		6-	-6	6-	-6	
	49.5	45.5			40.4	22.4	44	25.4		500	15		6-	-5	6-	-5	
	49.5	45.5			40.4	20.9	44	23.9		500	14		6-	-4	6-	-4	
	49.5	45.5			40.4	19.4	44	22.4		500	13		6-	-3	6-	-3	
	37.5	33.5			28.4	17.9	32	20.9		14.2	500		12	6-	-2	6-	-2
	37.5	33.5			28.4	16.4	32	19.4		14.2	500		11	6-	-1	6-	-1
	37.5	33.5	28.4	14.9	32	17.9	14.2	500	10	6-	-0	6-	-0				
	37.5	33.5	28.4	13.4	32	16.4	14.2	500	9	5-	-9	5-	-9				
TYPE 1	29.5	25.5	4.5	6.5	-	11.9	24	14.9	11.5	500	8		5-	-8	5-	-8	
	29.5	25.5			-	10.4	24	13.4	11.5	500	7		5-	-7	5-	-7	
	29.5	25.5			-	8.9	24	11.9	11.5	500	6		5-	-6	5-	-6	
	29.5	25.5			9.5	-	7.4	24	10.4	11.5	500		5	5-	-5	5-	-5
	21.5	17.5			8.0	-	5.9	16	8.9	7.5	500		4	5-	-4	5-	-4
	21.5	17.5			6.5	-	4.4	16	7.4	7.5	500		3				

Tape Type	W2	W1	G	F	E	D	C	B	A	QTY/REEL	POS	COLOR	CONNECTOR W/ POLYIMIDE TAPE P/N		ON TAPE P/N			
													292372-3	292371-3	2-	-0	2-	-0
TYPE 2	49.5	45.5	5.0	9.5	40.4	29.9	44	32.9	20.2±0.15	500	20	BEIGE	2-	-0	2-	-0		
	49.5	45.5			40.4	28.4	44	31.4		500	19		1-	-9	1-	-9		
	49.5	45.5			40.4	26.9	44	29.9		500	18		1-	-8	1-	-8		
	49.5	45.5			40.4	25.4	44	28.4		500	17		1-	-7	1-	-7		
	49.5	45.5			40.4	23.9	44	26.9		500	16		1-	-6	1-	-6		
	49.5	45.5			40.4	22.4	44	25.4		500	15		1-	-5	1-	-5		
	49.5	45.5			40.4	20.9	44	23.9		500	14		1-	-4	1-	-4		
	49.5	45.5			40.4	19.4	44	22.4		500	13		1-	-3	1-	-3		
	37.5	33.5			28.4	17.9	32	20.9		14.2	500		12	1-	-2	1-	-2	
	37.5	33.5			28.4	16.4	32	19.4		14.2	500		11	1-	-1	1-	-1	
	37.5	33.5	28.4	14.9	32	17.9	14.2	500	10	1-	-0	1-	-0					
	37.5	33.5	28.4	13.4	32	16.4	14.2	500	9									
TYPE 1	29.5	25.5	4.5	6.5	-	11.9	24	14.9	11.5	500	8							
	29.5	25.5			-	10.4	24	13.4	11.5	500	7							
	29.5	25.5			-	8.9	24	11.9	11.5	500	6							
	29.5	25.5			9.5	-	7.4	24	10.4	11.5	500		5					
	21.5	17.5			8.0	-	5.9	16	8.9	7.5	500		4					
	21.5	17.5			6.5	-	4.4	16	7.4	7.5	500		3					

THIS DRAWING IS A CONTROLLED DOCUMENT.		DWN Roy Hao 24AUG04	Tyco Electronics Corporation Shanghai, P.R.China, 200233	
		CHK Steven Yao 24AUG04		
DIMENSIONS: mm	TOLERANCES UNLESS OTHERWISE SPECIFIED:	APVD I.Enomoto	NAME SINGLE ROW POST HEADER (V) SMT TYPE W/O BOSS W/ POLYIMIDE TAPE EMBOSS PACKAGED AMP MINI CT CONN.	
	0 PLC ± - 1 PLC ± - 2 PLC ± - 3 PLC ± - 4 PLC ± - ANGLES ± -	PRODUCT SPEC -	SIZE CAGE CODE DRAWING NO RESTRICTED TO	
MATERIAL -	FINISH -	APPLICATION SPEC -	A300779 C=292371	
		WEIGHT -	CUSTOMER DRAWING SCALE NON SHEET 2 OF 4 REV A1	

4

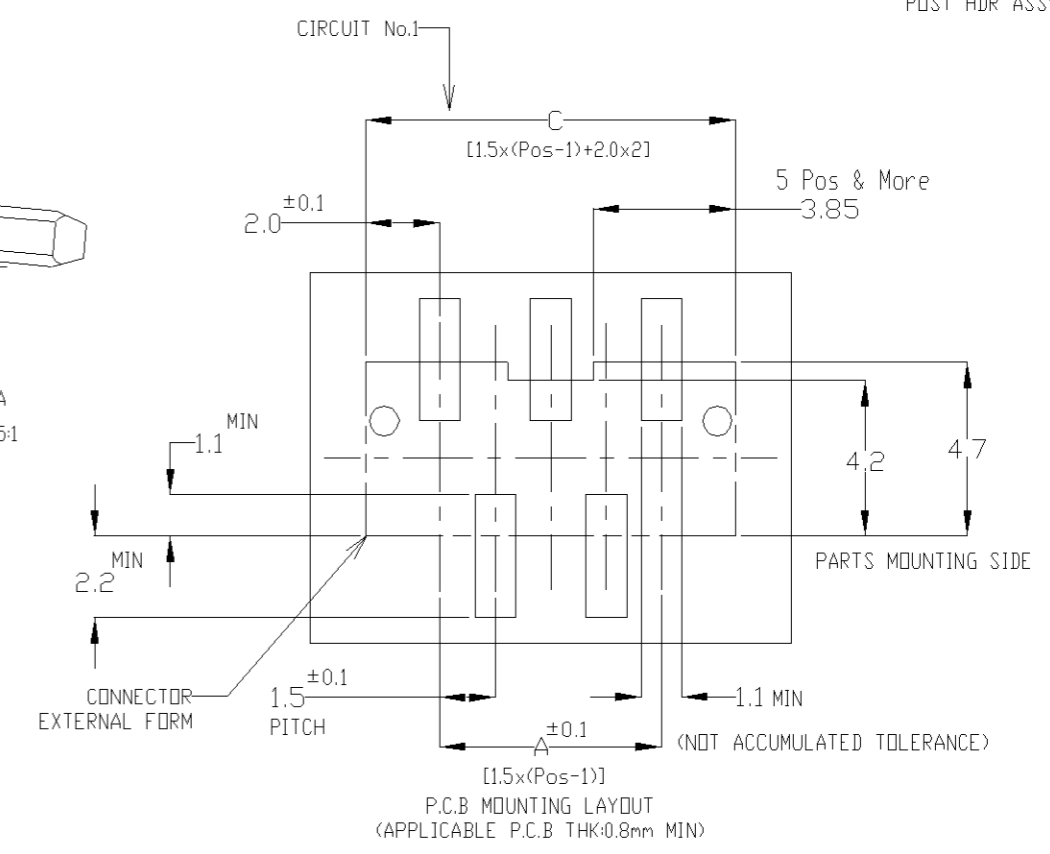
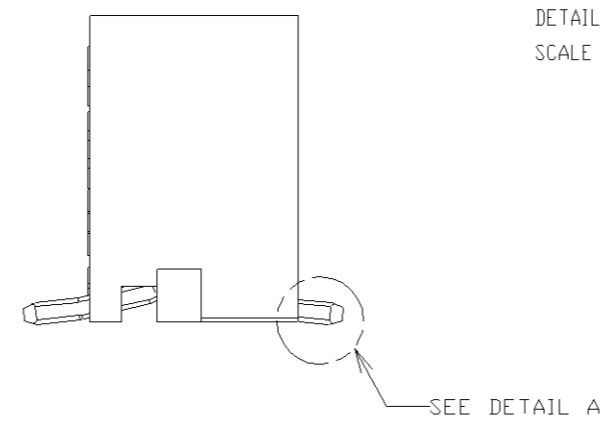
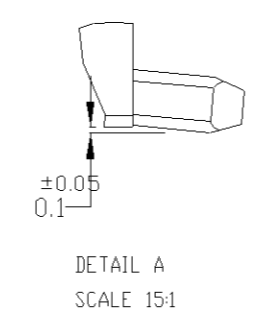
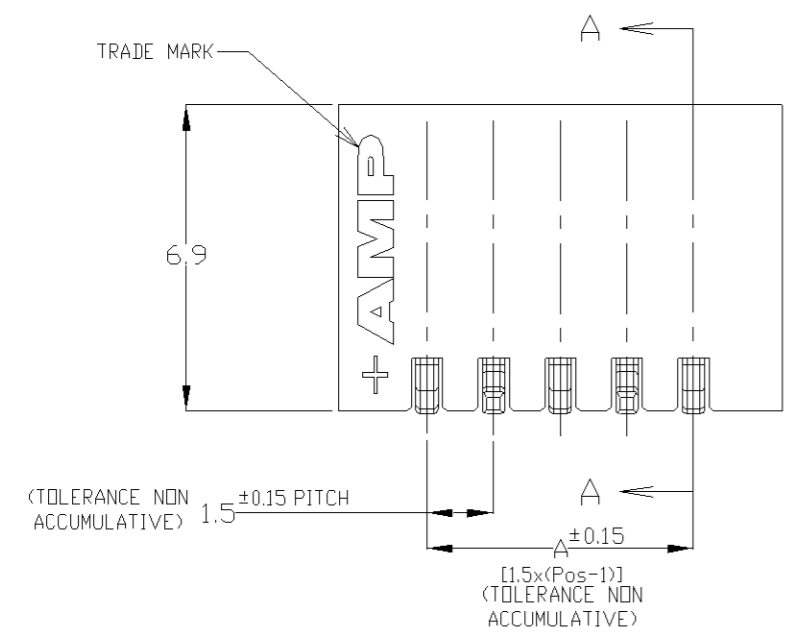
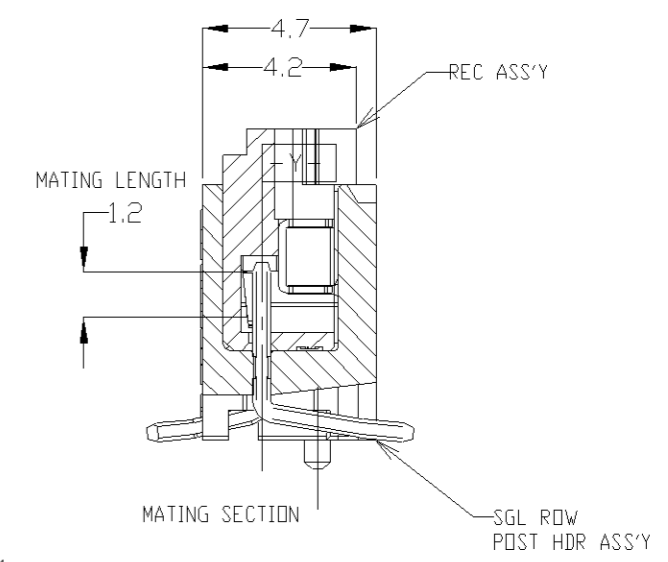
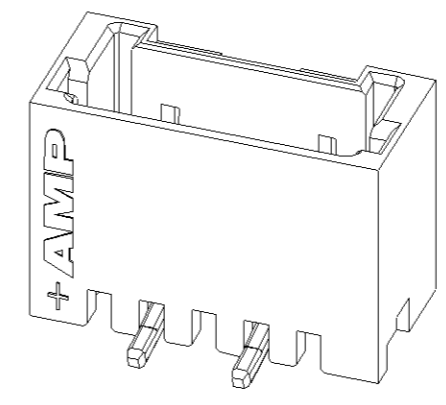
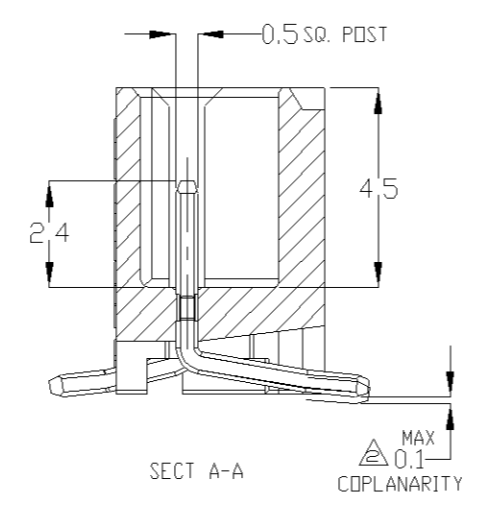
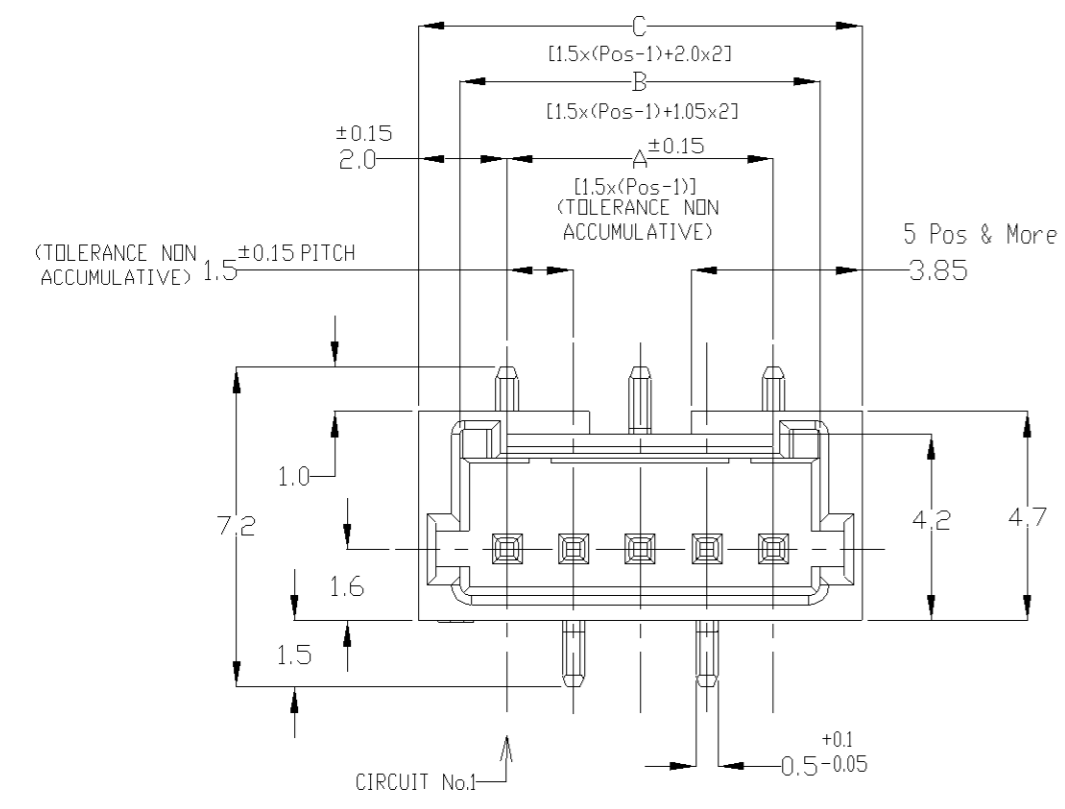
3

2

1

THIS DRAWING IS UNPUBLISHED. RELEASED FOR PUBLICATION
 © COPYRIGHT BY TYCO ELECTRONICS CORPORATION. ALL RIGHTS RESERVED.

LOC	DIST	REVISIONS			
P	LTR	DESCRIPTION	DATE	DWN	APVD
ES	00	SEE SHEET 1	-	-	-



NOTES:
 1. MATERIAL:
 HOUSING: GLASS FILLED, HIGH HEAT RESISTANT NYLON, UL94V-0, COLOR: BEIGE OR BLACK
 POST: TIN BRASS WIRE
 TO BE MEASURED WITH CONNECTOR PLACED ON HORIZONTAL DATUM SURFACE, FLOAT OF SOLDER TINE FROM DATUM SURFACE IS 0.1mm MAX.

THIS DRAWING IS A CONTROLLED DOCUMENT.		DWN	Roy Hao	24AUG04	 Tyco Electronics Corporation Shanghai, P.R.China, 200233												
DIMENSIONS: mm		CHK	Steven Yao	24AUG04													
TOLERANCES UNLESS OTHERWISE SPECIFIED:		APVD	I.Enomoto	24AUG04													
<table border="0"> <tr><td>0 PLC</td><td>± -</td></tr> <tr><td>1 PLC</td><td>± -</td></tr> <tr><td>2 PLC</td><td>± -</td></tr> <tr><td>3 PLC</td><td>± -</td></tr> <tr><td>4 PLC</td><td>± -</td></tr> <tr><td>ANGLES</td><td>± -</td></tr> </table>		0 PLC	± -	1 PLC		± -	2 PLC	± -	3 PLC	± -	4 PLC	± -	ANGLES	± -	PRODUCT SPEC	NAME	
0 PLC	± -																
1 PLC	± -																
2 PLC	± -																
3 PLC	± -																
4 PLC	± -																
ANGLES	± -																
MATERIAL	FINISH	APPLICATION SPEC	SIZE		CAGE CODE	DRAWING NO	RESTRICTED TO										
		WEIGHT	A300779		C=292371												
		CUSTOMER DRAWING	SCALE	NON	SHEET	3 of 4	REV A1										

4

3


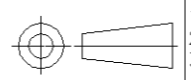
2

1

THIS DRAWING IS UNPUBLISHED. RELEASED FOR PUBLICATION
 © COPYRIGHT BY TYCO ELECTRONICS CORPORATION. ALL RIGHTS RESERVED.

LOC	DIST	REVISIONS					
ES	00	P	LTR	DESCRIPTION	DATE	DWN	APVD
		-	-	SEE SHEET 1	-	-	-

0.98	32.5	30.6	28.5	20	7-292371-0	2-292371-0
0.93	31.0	29.1	27.0	19	6-292371-9	1-292371-9
0.89	29.5	27.6	25.5	18	6-292371-8	1-292371-8
0.84	28.0	26.1	24.0	17	6-292371-7	1-292371-7
0.80	26.5	24.6	22.5	16	6-292371-6	1-292371-6
0.75	25.0	23.1	21.0	15	6-292371-5	1-292371-5
0.71	23.5	21.6	19.5	14	6-292371-4	1-292371-4
0.66	22.0	20.1	18.0	13	6-292371-3	1-292371-3
0.62	20.5	18.6	16.5	12	6-292371-2	1-292371-2
0.57	19.0	17.1	15.0	11	6-292371-1	1-292371-1
0.52	17.5	15.6	13.5	10	6-292371-0	1-292371-0
0.48	16.0	14.1	12.0	9	5-292371-9	292371-9
0.43	14.5	12.6	10.5	8	5-292371-8	292371-8
0.39	13.0	11.1	9.0	7	5-292371-7	292371-7
0.34	11.5	9.6	7.5	6	5-292371-6	292371-6
0.30	10.0	8.1	6.0	5	5-292371-5	292371-5
0.25	8.5	6.6	4.5	4	5-292371-4	292371-4
0.20	7.0	5.1	3.0	3	5-292371-3	292371-3
0.17	5.5	3.6	1.5	2	-	-
WEIGHT (g)	C	B	A	Pos.	BLACK	BEIGE (NAT)
	DIMENSIONS				P/N	

THIS DRAWING IS A CONTROLLED DOCUMENT.		DWN	Roy Hao	24AUG04	 Tyco Electronics Corporation Shanghai, P.R.China, 200233
DIMENSIONS: mm		CHK	Steven Yao	24AUG04	
		APVD	I.Enomoto	24AUG04	
TOLERANCES UNLESS OTHERWISE SPECIFIED:		PRODUCT SPEC		NAME	
0 PLC ± - 1 PLC ± - 2 PLC ± - 3 PLC ± - 4 PLC ± - ANGLES ± -		APPLICATION SPEC		SINGLE ROW POST HEADER (V) SMT TYPE W/O BOSS W/ POLYIMIDE TAPE EMBOSS PACKAGED AMP MINI CT CONN.	
MATERIAL		WEIGHT		SIZE	
-		-		A3 00779 C=292371	
CUSTOMER DRAWING				SCALE	NON
				SHEET	4 of 4
				REV	A1