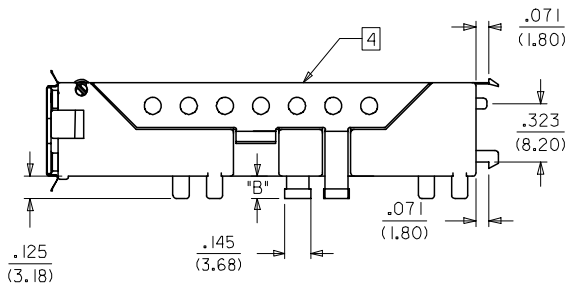
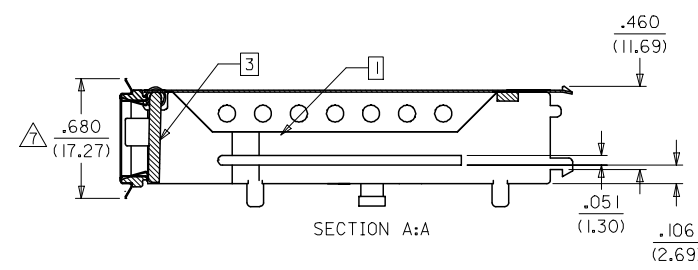
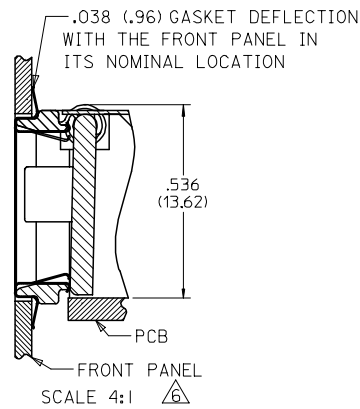
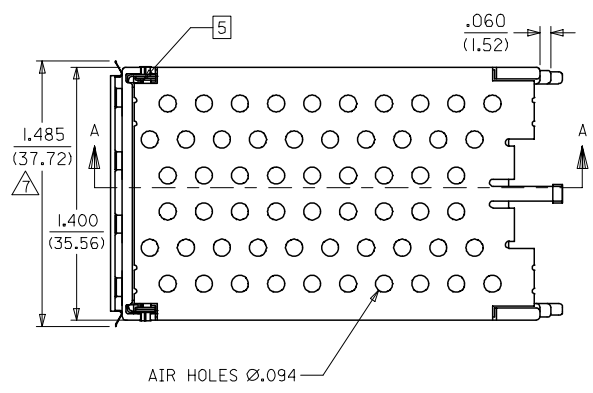
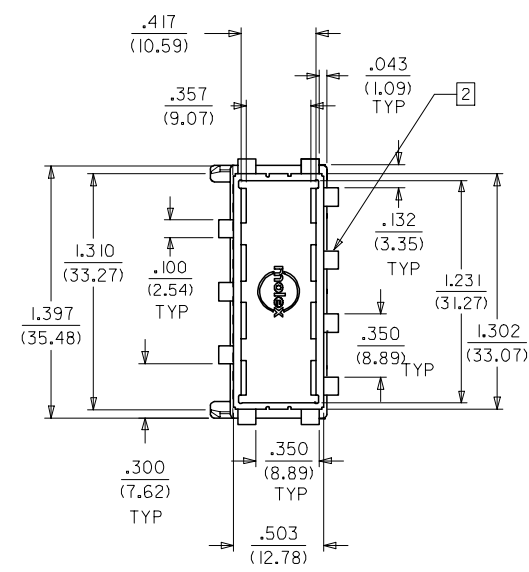
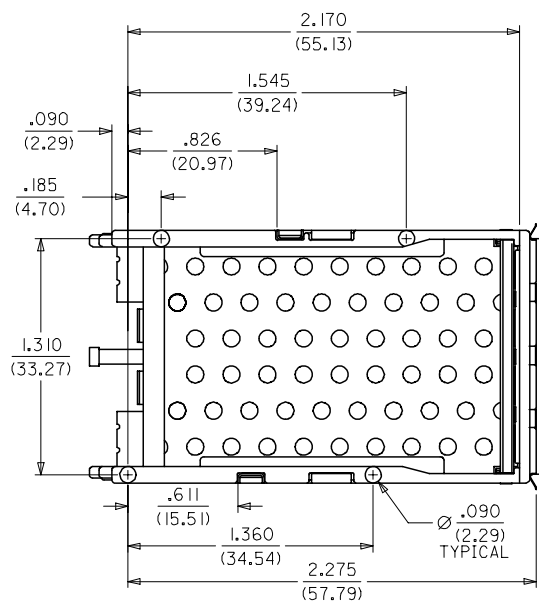


13 12 11 10 9 8 7 6 5 4 3 2 1

J
I
H
G
F
E
D
C
B
A

J
I
H
G
F
E
D
C
B
A



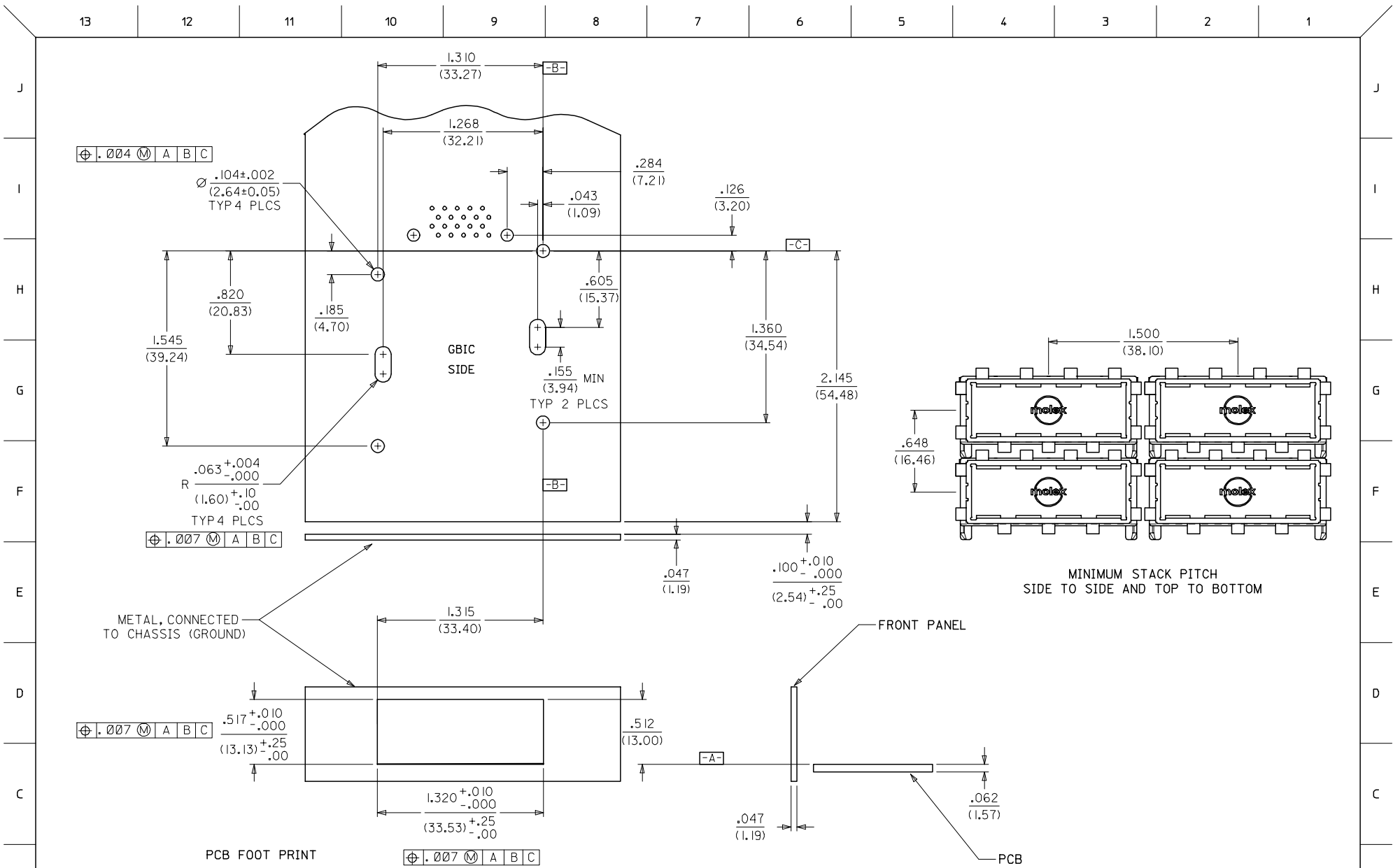
NOTES:

1. MAIN BODY, ZINC DIECAST, BRIGHT TIN PLATED
2. GASKET, STAMPED, PHOSPHER BRONZE, BRIGHT TIN PLATED
3. DOOR, ZINC DIECAST, BRIGHT NICKEL PLATED
4. EMI COVER, STAMPED BRASS ALLOY, BRIGHT TIN PLATED
5. TORTION SPRING, STAINLESS STEEL
- ⚠ BACK SIDE OF FRONT PANEL TO BE CONDUCTIVE.
- ⚠ MAXIMUM GASKET HEIGHT AND WIDTH WHEN INSERTED INTO FRONT PANEL, .682 AND 1.488 RESPECTIVELY.
- ⚠ -1001 VERSION DOES NOT HAVE THE MOLEX LOGO ON THE DOOR
- ⚠ DOOR IS BRIGHT TIN PLATED

⚠	.062 (1.57)	.123 (3.12)	73847-1007
	.093 (2.36)	.154 (3.91)	73847-0004
	.100 (2.54)	.161 (4.09)	73847-0003
	.085 (2.16)	.146 (3.71)	73847-0002
⚠	.062 (1.57)	.123 (3.12)	73847-0001
	.062 (1.57)	.123 (3.12)	73847-1001
	PCB THICKNESS "B"		PART NUMBER

ENTER DESCRIPTION EC NO: USY2007-0073 DRAWN: JERWIN 2006/09/05 CHKD: JERWIN 2006/09/05 APPR: DDOYE 2006/09/05 REVISIONS 1 2 3 4	QUALITY SYMBOLS	GENERAL TOLERANCES (UNLESS SPECIFIED)	DIMENSION STYLE	SCALE	DESIGN UNITS	THIRD ANGLE PROJECTION	
	◻=0 ◻=0	mm INCH 4 PLACES ± --- ± --- 3 PLACES ± --- ± .005 2 PLACES ± 0.13 ± --- 1 PLACE ± --- ± --- ANGULAR ± --- °	MM/IN	SCALE	METRIC	THIRD ANGLE PROJECTION	
				DRAWN BY	DATE	TITLE	
				JERWIN	2006/08/28	GBIC GUIDE ASSEMBLY	
			CHECKED BY	DATE			
			DDOYE	2006/08/28			
			APPROVED BY	DATE			
			DDOYE	2006/08/28			
			MATERIAL NO.	DOCUMENT NO.			
			SEE CHART	SD-73847-001			
			THIS DRAWING CONTAINS INFORMATION THAT IS PROPRIETARY TO MOLEX INCORPORATED AND SHOULD NOT BE USED WITHOUT WRITTEN PERMISSION				

12 11 10 9 8 7 6 5 4 3 2 1



ENTER DESCRIPTION EC NO: USY2007-0073 DRAWN: JERWIN 2006/09/05 CHKD: JERWIN APPR: DDOYE 2006/09/05 REVISIONS 2006/09/05	QUALITY SYMBOLS = 0 = 0.01	GENERAL TOLERANCES (UNLESS SPECIFIED)	DIMENSION STYLE MM/IN	SCALE 1:1	DESIGN UNITS METRIC	THIRD ANGLE PROJECTION																															
		<table border="1"> <tr> <th></th> <th>mm</th> <th>INCH</th> </tr> <tr> <td>4 PLACES</td> <td>± .005</td> <td>± .0005</td> </tr> <tr> <td>3 PLACES</td> <td>± .005</td> <td>± .0005</td> </tr> <tr> <td>2 PLACES</td> <td>± 0.13</td> <td>± .005</td> </tr> <tr> <td>1 PLACE</td> <td>± .005</td> <td>± .0005</td> </tr> </table>		mm	INCH	4 PLACES	± .005	± .0005	3 PLACES	± .005	± .0005	2 PLACES	± 0.13	± .005	1 PLACE	± .005	± .0005	<table border="1"> <tr> <td>DRAWN BY</td> <td>DATE</td> <td>TITLE</td> </tr> <tr> <td>JERWIN</td> <td>2006/08/28</td> <td>GBIC GUIDE ASSEMBLY</td> </tr> <tr> <td>CHECKED BY</td> <td>DATE</td> <td></td> </tr> <tr> <td>DDOYE</td> <td>2006/08/28</td> <td></td> </tr> <tr> <td>APPROVED BY</td> <td>DATE</td> <td></td> </tr> <tr> <td>DDOYE</td> <td>2006/08/28</td> <td></td> </tr> </table>	DRAWN BY	DATE	TITLE	JERWIN	2006/08/28	GBIC GUIDE ASSEMBLY	CHECKED BY	DATE		DDOYE	2006/08/28		APPROVED BY	DATE		DDOYE	2006/08/28		MOLEX INCORPORATED
		mm	INCH																																		
	4 PLACES	± .005	± .0005																																		
3 PLACES	± .005	± .0005																																			
2 PLACES	± 0.13	± .005																																			
1 PLACE	± .005	± .0005																																			
DRAWN BY	DATE	TITLE																																			
JERWIN	2006/08/28	GBIC GUIDE ASSEMBLY																																			
CHECKED BY	DATE																																				
DDOYE	2006/08/28																																				
APPROVED BY	DATE																																				
DDOYE	2006/08/28																																				
	DRAFT WHERE APPLICABLE MUST REMAIN WITHIN DIMENSIONS	SEE CHART	SD-73847-001	SHEET NO. 2 OF 2																																	
		THIS DRAWING CONTAINS INFORMATION THAT IS PROPRIETARY TO MOLEX INCORPORATED AND SHOULD NOT BE USED WITHOUT WRITTEN PERMISSION																																			