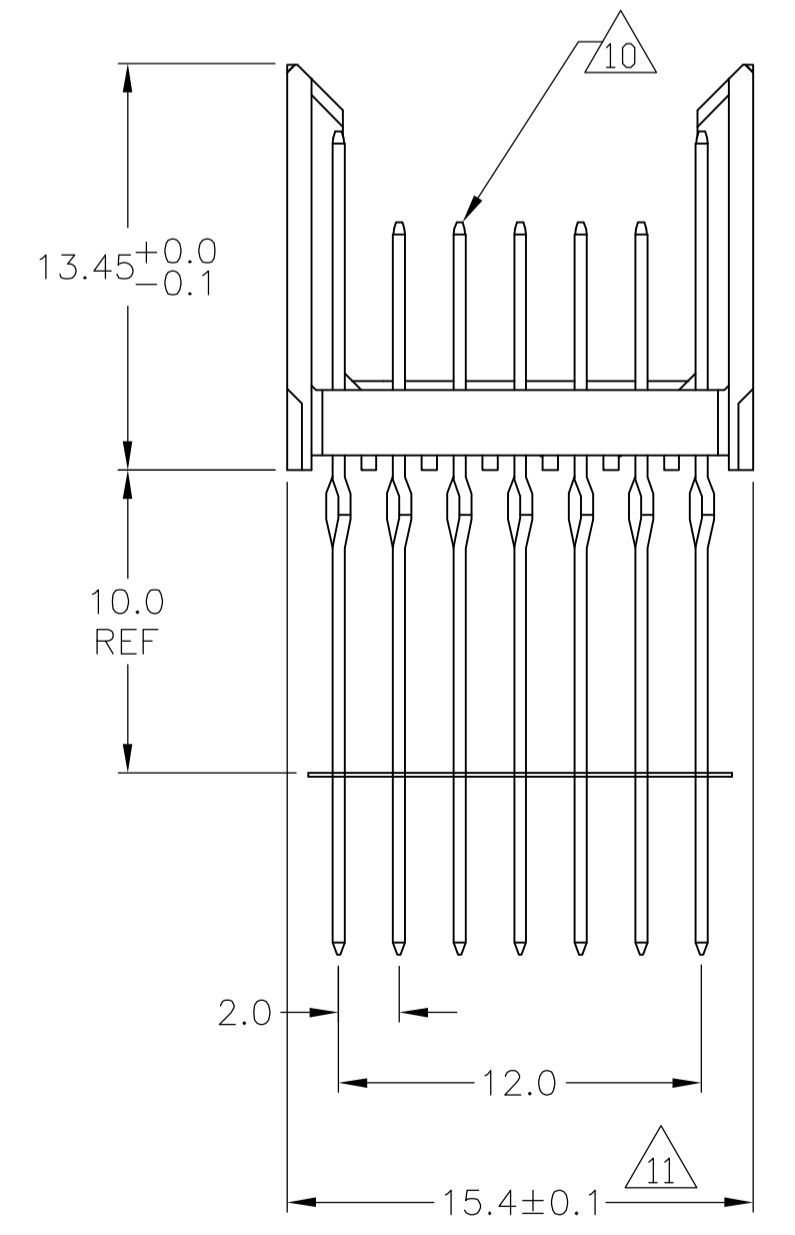
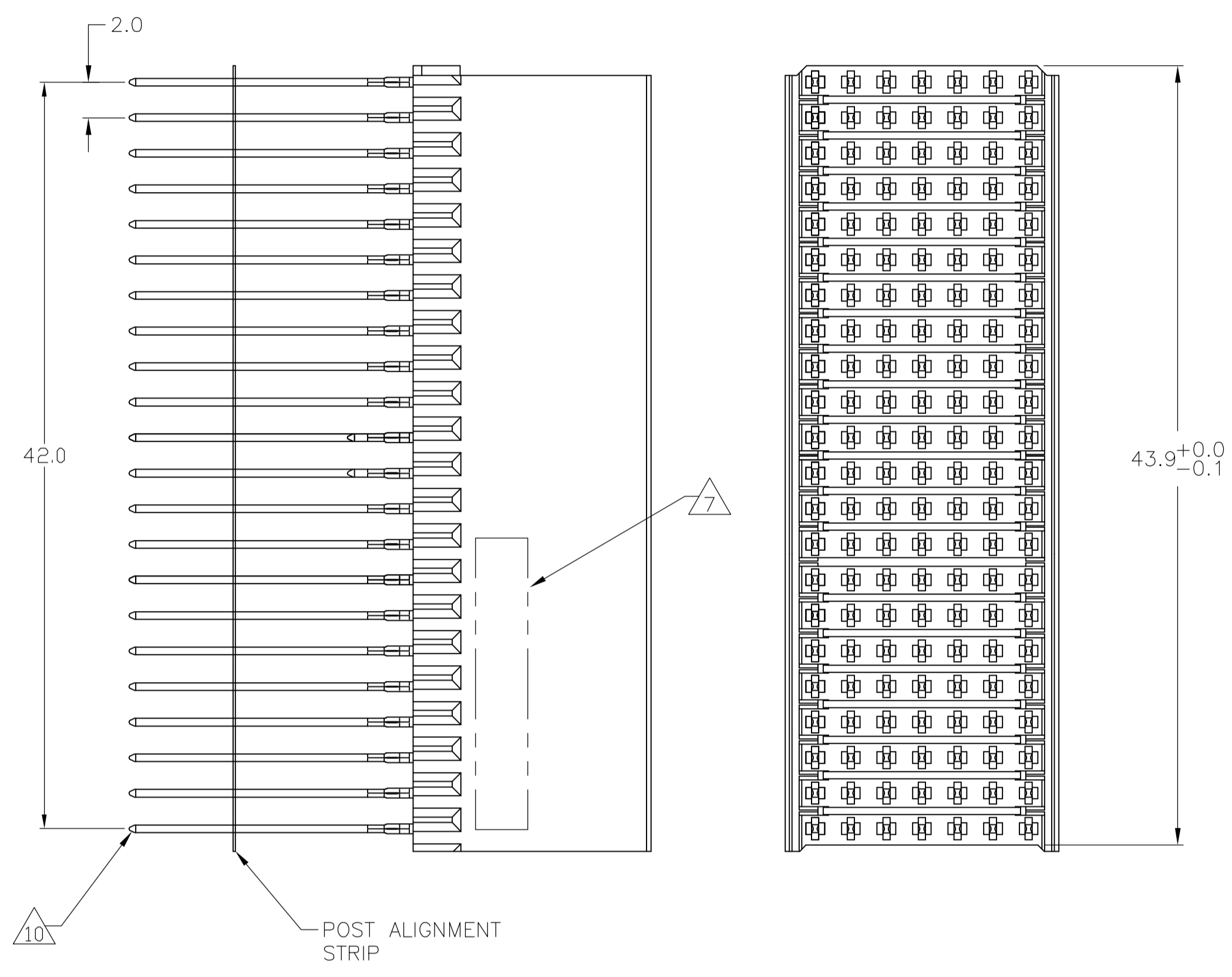
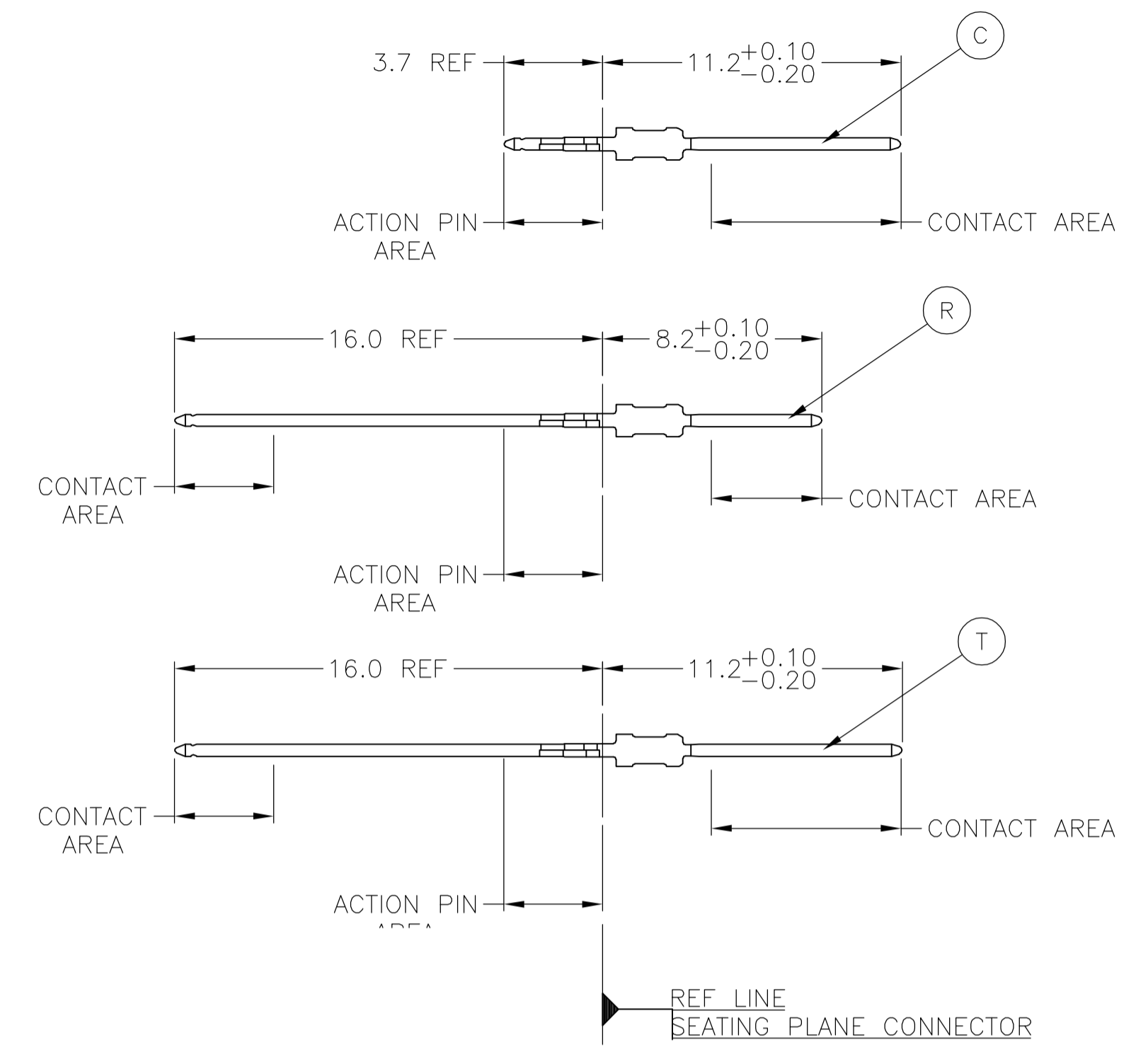


CONNECTOR ASSEMBLY EXAMPLARY LOADED



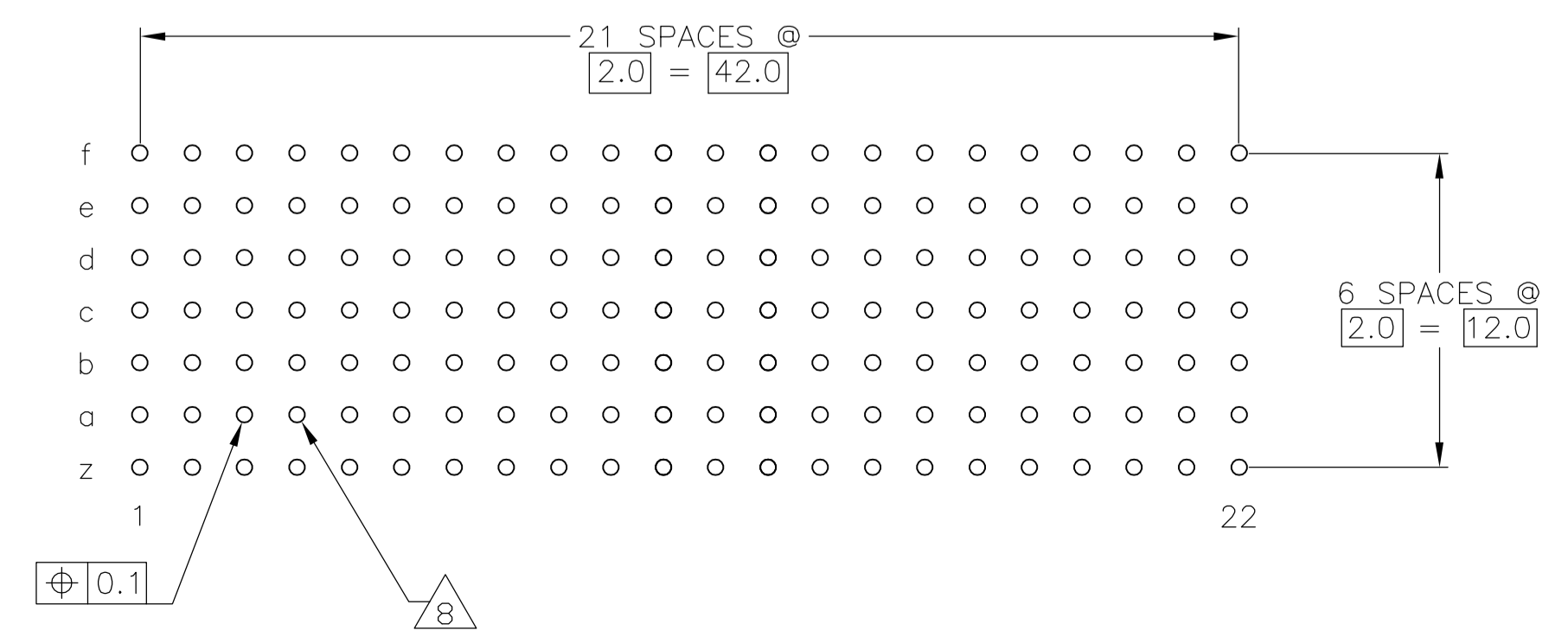
CONTACT DIMENSIONS SCALE 5:1



CONTACT LAYOUT

	z	a	b	c	d	e	f
1	T	R	R	R	R	R	T
2	T	R	R	R	R	R	T
3	T	R	R	R	R	R	T
4	T	R	R	R	R	R	T
5	T	R	R	R	R	R	T
6	T	R	R	R	R	R	T
7	T	R	R	R	R	R	T
8	T	R	R	R	R	R	T
9	T	R	R	R	R	R	T
10	T	R	R	R	R	R	T
11	C	R	R	R	R	R	C
12	C	R	R	R	R	R	C
13	T	R	R	R	R	R	T
14	T	R	R	R	R	R	T
15	T	R	R	R	R	R	T
16	T	R	R	R	R	R	T
17	T	R	R	R	R	R	T
18	T	R	R	R	R	R	T
19	T	R	R	R	R	R	T
20	T	R	R	R	R	R	T
21	T	R	R	R	R	R	T
22	T	R	R	R	R	R	T

RECOMMENDED PCB-HOLE LAYOUT COMPONENT SIDE SHOWN



PLATED THRU HOLES PARAMETERS REFERENCE APPLICATION SPECIFICATION

2 6 12	1-5352716-9
2 5 12	5352716-9
2 4 12	5352716-4
2 3 12	5352716-1
FINISH	PART NUMBER

THIS DRAWING IS A CONTROLLED DOCUMENT.

DIMENSIONS: mm	TOLERANCES UNLESS OTHERWISE SPECIFIED:	0 PLC ± -	1 PLC ± 0.1	2 PLC ± -	3 PLC ± -	4 PLC ± -	ANGLES ± -
MATERIAL	FINISH	WEIGHT	SIZE	CAGE CODE	DRAWING NO	RESTRICTED TO	
1	SEE TABLE	-	A1	00779	5352716	-	

CUSTOMER DRAWING SCALE 4:1 SHEET 1 OF 2 REV 0

THIS DRAWING IS UNPUBLISHED. RELEASED FOR PUBLICATION
 © COPYRIGHT BY TYCO ELECTRONICS CORPORATION. ALL RIGHTS RESERVED.

LOC		DIST		REVISIONS			
AD	00	REV	DATE	BY	APP'D	DATE	BY
		1	SEE SHEET 1				

- 1 MATERIAL:
CONTACT: PHOSPHOR BRONZE.
HOUSING: GLASS-FILLED POLYESTER.
- 2 GENERAL PLATING SPECIFICATION: UNDERPLATING
(ENTIRE CONTACT): 1.27µm MIN NICKEL AND ACTION
PIN: 0.5µm MIN TIN.
FOR PLATING OF MATING SURFACES SEE APPLICABLE
SPECIFICATION REFERENCE FOR EACH DASH NUMBER.
- 3 CONFORMS TO ALL TESTING ACCORDING TO IEC 61076-4-101
PERFORMANCE LEVEL 2.
- 4 CONFORMS TO ALL TESTING ACCORDING TO IEC 61076-4-101
PERFORMANCE LEVEL 1.
- 5 CONNECTOR TESTED AND QUALIFIED AGAINST TELCORDIA GR-1217-CORE QUALITY LEVEL 3,
CENTRAL OFFICE APPLICATIONS.
- 6 CONNECTOR TESTED AND QUALIFIED AGAINST TELCORDIA GR-1217-CORE QUALITY LEVEL 3,
UNCONTROLLED ENVIROMENT APPLICATIONS.
- 7 CONNECTOR MARKED WITH PART NUMBER AND DATE CODE.
ADDITIONAL CHARACTERS OR MARKINGS, AS WELL AS THE LOCATION OF THE MARKINGS,
MAY BE ADDED FOR TRACEABILITY BASED UPON MANUFACTURERS DISCRETION.
- 8 PLATED-THROUGH HOLES AT 2x2mm SQUARE GRID
PATTERN DEFINED BY CONTACT LAYOUT.
- 9 FOR ACTUAL PIN LOADING SEE "CONTACT LAYOUT".
- 10 FOR ACTUAL PIN DIMENSIONS SEE "CONTACT DIMENSIONS".
- 11 TO BE MEASURED AT BOTTOM OF SHROUD.
- 12 CONNECTOR LUBRICATED WITH BELCORE APPROVED LUBRICANT,
TECHNICAL REFERENCE: TR-NWT-001217 ISSUE 1, SEP 1992.

THIS DRAWING IS A CONTROLLED DOCUMENT.		DWG B CARBO	28JUL05	tyco Electronics	Tyco Electronics Corporation Harrisburg, Pa 17105-3608	
		CHK G SKIPPER	28JUL05			
		APP'D G SKIPPER	28JUL05	NAME MALE ASSEMBLY, Z-PACK 2mm HM, TYPE B		
DIMENSIONS: mm		TOLERANCES UNLESS OTHERWISE SPECIFIED:		PRODUCT SPEC 108-19082		
		0 PLC ± -		APPLICATION SPEC 114-19029		
		1 PLC ± 0.1		SIZE A1		
		2 PLC ± -		CAGE CODE 00779		
		3 PLC ± -		DRAWING NO 5352716		
		4 PLC ± -		RESTRICTED TO -		
		ANGLES ± ± -		SCALE 4:1		
MATERIAL SEE SHEET 1	FINISH SEE SHEET 1	WEIGHT -	CUSTOMER DRAWING		SHEET 2	OF 2
				REV 0		