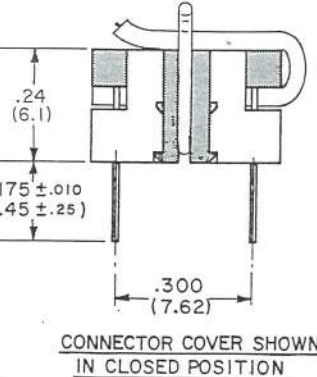
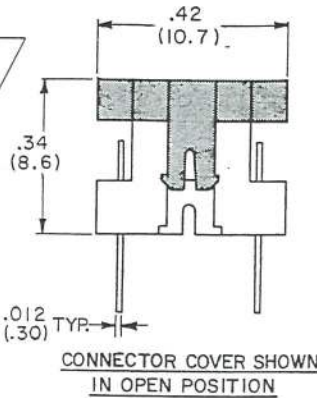
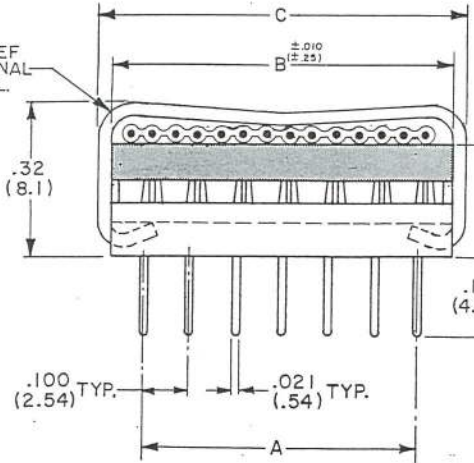


**DIP CONNECTOR** (  $\frac{.300}{(7.62)}$  CENTERS )

NOTCHED CORNER ORIENTS No.1 CONTACT LOCATION.  
(14 CONTACT POSITIONS SHOWN; ALSO AVAILABLE  
WITH 16 POSITIONS.)



STRAIN RELIEF STRAP OPTIONAL  
STEEL-TIN PL.



DIMENSIONS IN INCHES (MILLIMETERS)  
DO NOT SCALE DRAWING .....

Dwg. No.  
**CWR-130-XX-0000**

**NOTES:**

1. Dimensions are in inches; dimensions ( ) are in millimeters.
2. Metric equivalents are given for general information only and are based upon 1.00 inches = (25.4) millimeters.
3. Unless otherwise specified, tolerances are ±.005 (.13) for three place decimals and ±.01 (.3) for two place decimals.

**MATERIALS:**

PLASTIC PARTS-UL94V-O Thermoplastic (blue), flame retardant.  
CONTACTS-Phosphor bronze, std.  
CONTACT PLATING-.000010 gold over .000050 nickel, std.

**OPERATING STANDARDS:**

TEMPERATURE RATING- 125°C.  
CONTACT RATING- 1 Ampere.  
DIELECTRIC STRENGTH- Over 500 V.D.C. at sea level.  
CONDUCTORS ACCEPTED- 28-30 AWG solid or stranded.

CONNECTOR DIMENSIONS			
No. of SOLDER POSTS	A	B	C
14	.60 (15.2)	.754 (19.2)	.81 (20.6)
16	.70 (17.8)	.854 (21.7)	.91 (23.1)

**CUSTOMER DRAWING**

FORM-B3	REVISIONS	RELEASED	DATE	BY
	0	LW	3-05-82	
	1			

REDRAWN, ADDED CUSTOMER DWG. & NEW FORMAT 'B'.  
DCW 3-21-97  
GG. MAR 25 1997

**ATTENTION**  
THIS DRAWING AND ITS ATTACHMENTS, IF ANY, ARE PROPRIETARY TO CW INDUSTRIES AND DESCRIBE DESIGNS THAT ARE CONFIDENTIAL AND MUST NOT BE DISCLOSED UNLESS AUTHORIZED, IN WRITING, BY AN OFFICER OF CW INDUSTRIES.....

PDF File Made	<b>CW INDUSTRIES</b> Southampton, Pa. 18966	Title: DIP CONNECTOR NO. CONTS. PER CONN. DIM. CHART W/.175" SOLDER POSTS
	TOLERANCES UNLESS OTHERWISE SPECIFIED 2 Place Decimal ±.010 METRIC 3 Place Decimal ±.005 1 Place Dec. ±.25mm Angles ..... ±1' 2 Place Dec. ±.13mm	
	Made for: CW IND.	Division: CONNECTOR
	Drawn by: DGW 3-21-97 Checked by: G. GULD 3-24-97 Approved: A. HOSFELD 3-25-97	Dwg. No. CWR-130-XX-0000

**MASTER**