

Series 09

Rugged. Modular. Reliable.

<https://eao.com/09>



09 Information about the Series

Rugged Keypads

Advantages

- Individual 4-segment and RGB halo ring illumination
- Designed for functional safety: ISO 26262 & ISO 13849
- Intelligent HMIs with CAN bus integration
- Robust, innovative, ergonomic design sealed up to IP6K9K protection
- Interchangeable ISO 7000 range of symbols or customised symbols

Typical application areas

- Roadmaking vehicles and roller compactors
- Loaders, dozers and excavators
- Cranes, dump trucks and crawler drills
- Fire-fighting and rescue vehicles
- Road sweepers, cleaning vehicles and refuse trucks
- Snow removers and groomers
- Agricultural vehicles and equipment

HMI Functions

- Rugged Keypad

Degree of protection

- Up to IP6K9K
- IP20 (rear side) according to ISO 20653
- Up to IP6K9K (panel/screw-in version)
- Up to IP5K4 (panel/clip-in version)

Operating voltage

- 8-32 VDC

Standards

- E1 ECE R10/ECE R118
- CE

Joysticks

Advantages

- Mechanical and electrical customisation is possible
- Front protection to IP65 or IP67
- Standard joysticks available from stock
- Low back panel depth for hall effect and conductive plastic sensors

Typical application areas

- Commercial vehicles
- Special vehicles
- Marine, rail and electric vehicles
- Machinery
- Medical technology
- Numerous other applications

Functions

- Joystick
- Koordinatenschalter

Design

- Flush
- Raised

Degree of protection

- IP40 (rear side)
- IP65 (front side)
- IP67 (front side)

Operating voltage

- 5 VDC
- 8 ... 36 VDC
- 30 VDC
- 250 VAC
- 500 VAC

Terminal

- Screw terminal
- Soldering terminal
- Minitec plug
- Dubox plug
- Molex micro
- Cable

Overview of Modules	4
Numbering structure	8
Modules	
Keypad PREMIUM (6 pushbuttons)	11
Keypad SUPER (6 pushbuttons)	12
Keypad PLUS (6 pushbuttons)	13
Keypad BASIC (6 pushbuttons)	14
Keypad SUPER (8 pushbuttons)	16
Keypad PLUS (8 pushbuttons)	17
Keypad BASIC (8 pushbuttons)	18
Accessories Keypads	19
Modules In-Cabin Keypads	
6-pushbutton Keypad SUPER	21
6-pushbutton Keypad PLUS	22
6-pushbutton Keypad BASIC	23
2-pushbutton Keypad BASIC	24
Accessories modules	25
Universal Switch	26
Joysticks	
Joystick, 1 axis with square flange	37
Joystick, 3 axes with square flange	38
Joystick, small and beautiful	39
Joystick, standard with round flange	40
Joystick, CAN with round flange	41
Joystick, CAN with 3 buttons and 1 cable	42
Joystick, 2 axes with 6 momentary positions each	43
Joystick, drive lever with mechanical interlocking	44
Joystick with handle and additional buttons.	45
Fingertip joystick	46
Toggle stick, 4 directions with momentary position	47
Lever switch, 2, 4 or 8 positions	48

01
02
03
04
09
14
17
18
19
22
31
41
45
51
56
57
61
70
71
82
84
92
96


09 Overview of Modules

Rugged Keypads. Optimal for your application.

Series 09 variants




The Series 09 Rugged Keypads are available with 6 and 8 pushbuttons and also in a range of different variants. All these have the flexibility of interchangeable legends, but come with a choice of different illumination features and connector types for example. Depending on the variant, the Rugged Keypads are also suitable for safety-relevant applications.

This wide choice allows designers to specify only the HMI features they actually need for their vehicle or machine application, therefore minimising hardware costs and optimising the scope of their software development – optimal for your application.

Variants	Halo ring illumination	Communication protocol	Switching element	IP protection	Connector	Switching function/s	Functional safety standard
PREMIUM 	4-segment RGB, freely configurable	CANopen Safety	Electro-mechanical switching element	IP6K7 frontside and rear-side	Deutsch DT04-6P	Pushbutton	CANopen safety protocol and functional safety, developed according to ISO 26262 ASIL B and ISO 13849 PL d *
SUPER 	4-segment RGB, freely configurable	CANopen, J1939	Electro-mechanical switching element	IP6K7 frontside and rear-side	Deutsch DT04-6P	Pushbutton	Suitable for functional safety applications according to EN ISO 13849
PLUS 	Red LED (other colours on request)	CANopen, J1939	Electro-mechanical switching element	IP6K7 frontside and rear-side	Deutsch DT04-6P	Pushbutton	Suitable for functional safety applications according to EN ISO 13849
BASIC 	Red LED	N.A. (hardwired)	Electro-mechanical switching element	IP6K7 frontside	Würth Elektronik WR-MPC3, 16 pins	Pushbutton	Suitable for functional safety applications due to diagnosable switching function for applications according to ISO 26262 and EN ISO 13849

* available at a later date.



Variants	Halo ring illumination	Communication protocol	Switching element	IP protection	Connector	Switching function/s	Functional safety standard
SUPER 	4-segment RGB, freely configurable	CANopen, J1939	Electro-mechanical switching element	IP6K9K frontside and rear-side	Deutsch DT04-6P	Pushbutton	Suitable for functional safety applications according to EN ISO 13849
PLUS 	Red LED (other colours on request)	CANopen, J1939	Electro-mechanical switching element	IP6K9K frontside and rear-side	Deutsch DT04-6P	Pushbutton	Suitable for functional safety applications according to EN ISO 13849
BASIC 	Red LED	N.A. (hardwired)	Electro-mechanical switching element	IP6K9K frontside	Würth Elektronik WR-MPC3, 20 pins	Pushbutton	Suitable for functional safety applications due to diagnosable switching function for applications according to ISO 26262 and EN ISO 13849

09 Overview of Modules

- 01
- 02
- 03
- 04
- 09
- 14
- 17
- 18
- 19
- 22
- 31
- 41
- 45
- 51
- 56
- 57
- 61
- 70
- 71
- 82
- 84
- 92
- 96



Rugged Keypads with 8 pushbuttons. *EAO Series 09.*

Ideally suited for operation in outdoor applications, also under extreme conditions.

- Robust, ergonomic and innovative design sealed up to IP6K9K protection
- Suitable for functional safety applications according to EN ISO 13849
- Intelligent HMIs with CAN bus integration
- Programmable 4-segment RGB halo ring illumination
- Interchangeable ISO 7000 or customised symbols



www.eao.com/09







Your Expert Partner for Human Machine Interfaces

Customer-specific product diversity.

Series 09 In-Cabin Keypads with 6 pushbuttons are available in SUPER, PLUS and BASIC variants. These differ in terms of illumination options and the communication interface. The hard-wired BASIC product variant is available, as an additional option, in a 2-pushbutton version.

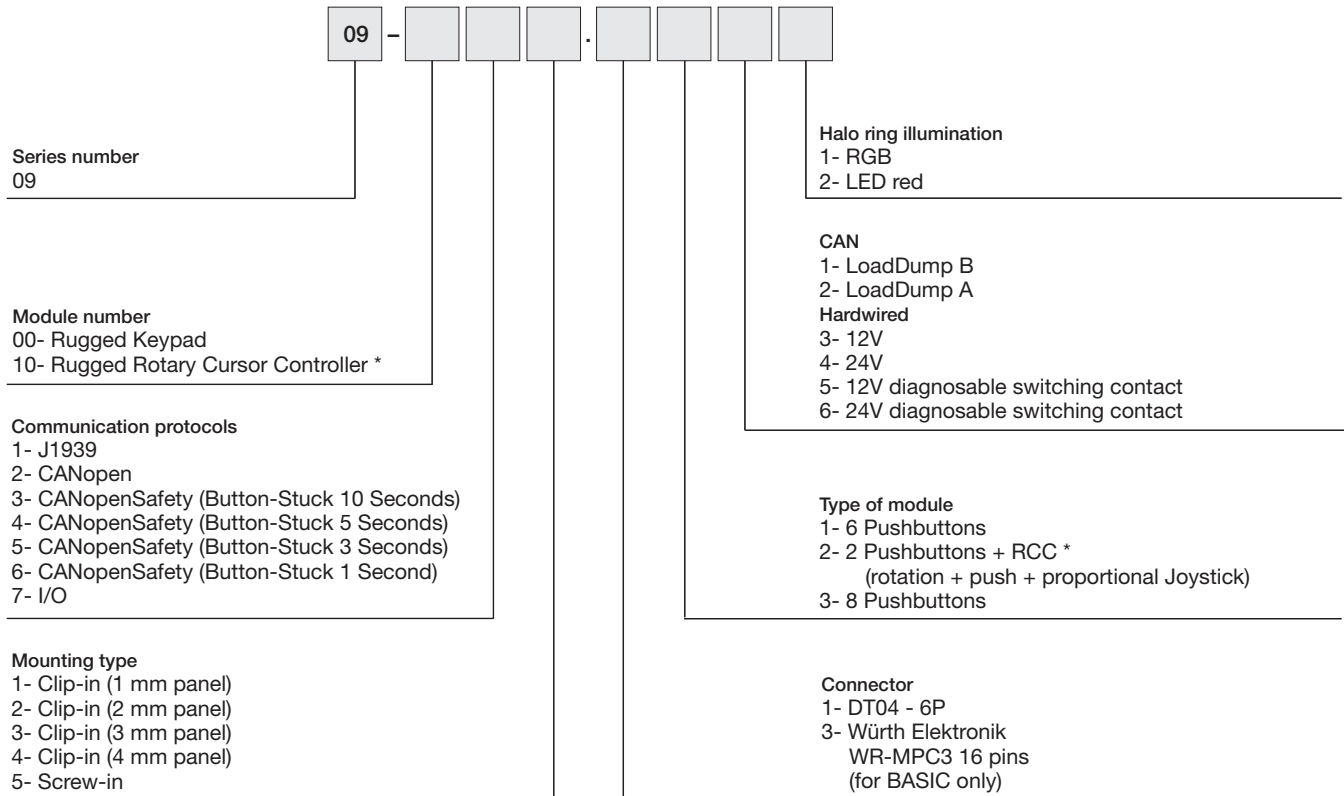
With this wide range of variants, customers can choose between a CAN bus connection or hard-wired version depending on their application, and they can further customise their keypad thanks to a variety of illumination options and interchangeable custom or ISO 7000 symbols – for optimal integration of the HMI in the vehicle interior.

Product	Variant	Symbol illumination	Halo-ring illumination	Communication protocol	IP protection class	Plug	Switching action	Safety
 Keypad 6PB	SUPER	White LED	RGB, freely configurable	CANopen, J1939	IP5K4	TYCO 1745000-3	Pushbutton	Diagnostic switching action for ASIL QM (B) in accordance with ISO 26262
 Keypad 6PB	PLUS	White LED	Red LED (other colours on request)	CANopen, J1939	IP5K4	TYCO 1745000-3	Pushbutton	Diagnostic switching action for ASIL QM (B) in accordance with ISO 26262
 Keypad 6PB	BASIC	White LED	Red LED	n/a (hard-wired)	IP5K4	TYCO 1745000-3/ 1745000-4	Pushbutton	Diagnostic switching action for ASIL QM (B) in accordance with ISO 26262 (with NAMUR)
 Keypad 2PB	BASIC	White LED	Red LED	n/a (hard-wired)	IP5K4	TYCO 1745000-3	Pushbutton	Diagnostic switching action for ASIL QM (B) in accordance with ISO 26262 (with NAMUR)

09 Numbering structure

Part number structure Rugged Keypads Modules

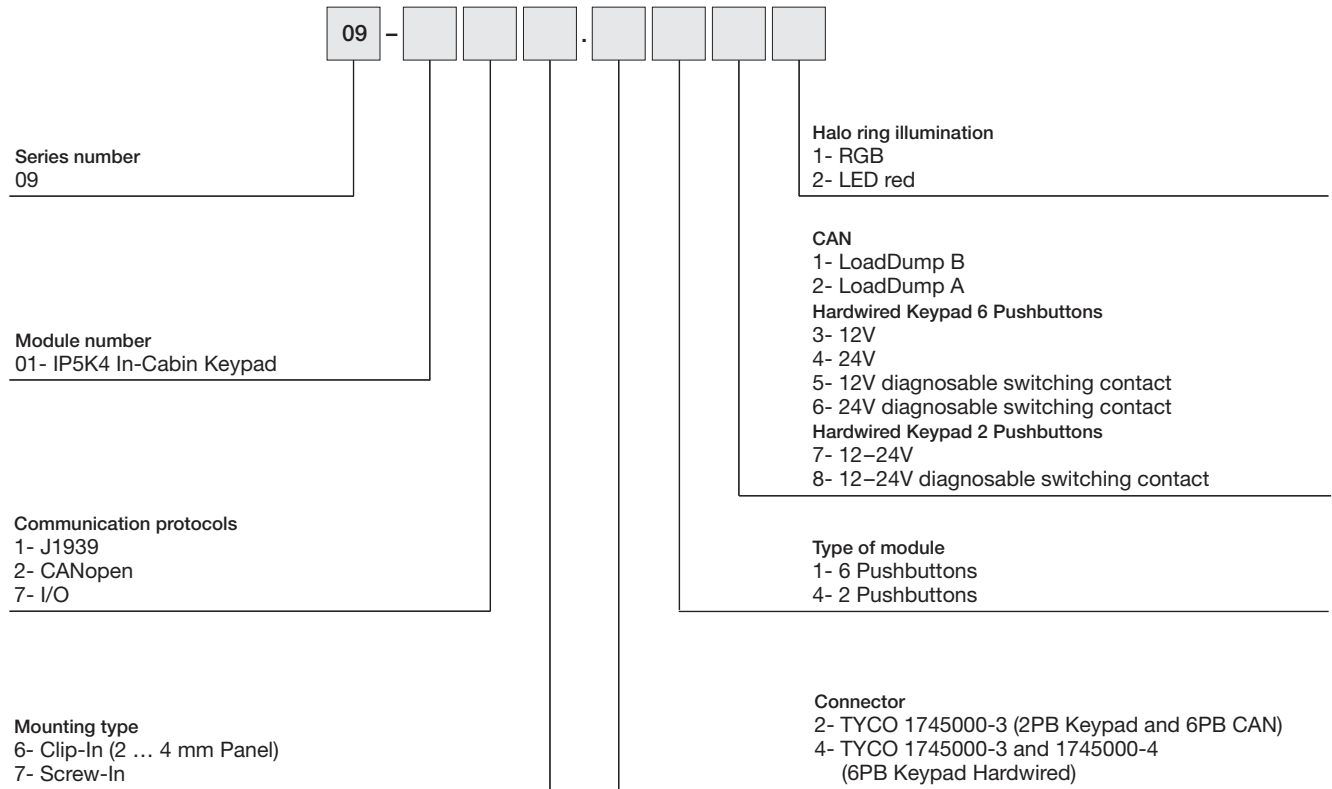
Part No. module (12 digits)



* available at a later date

Part number structure In-Cabin Keypads Modules

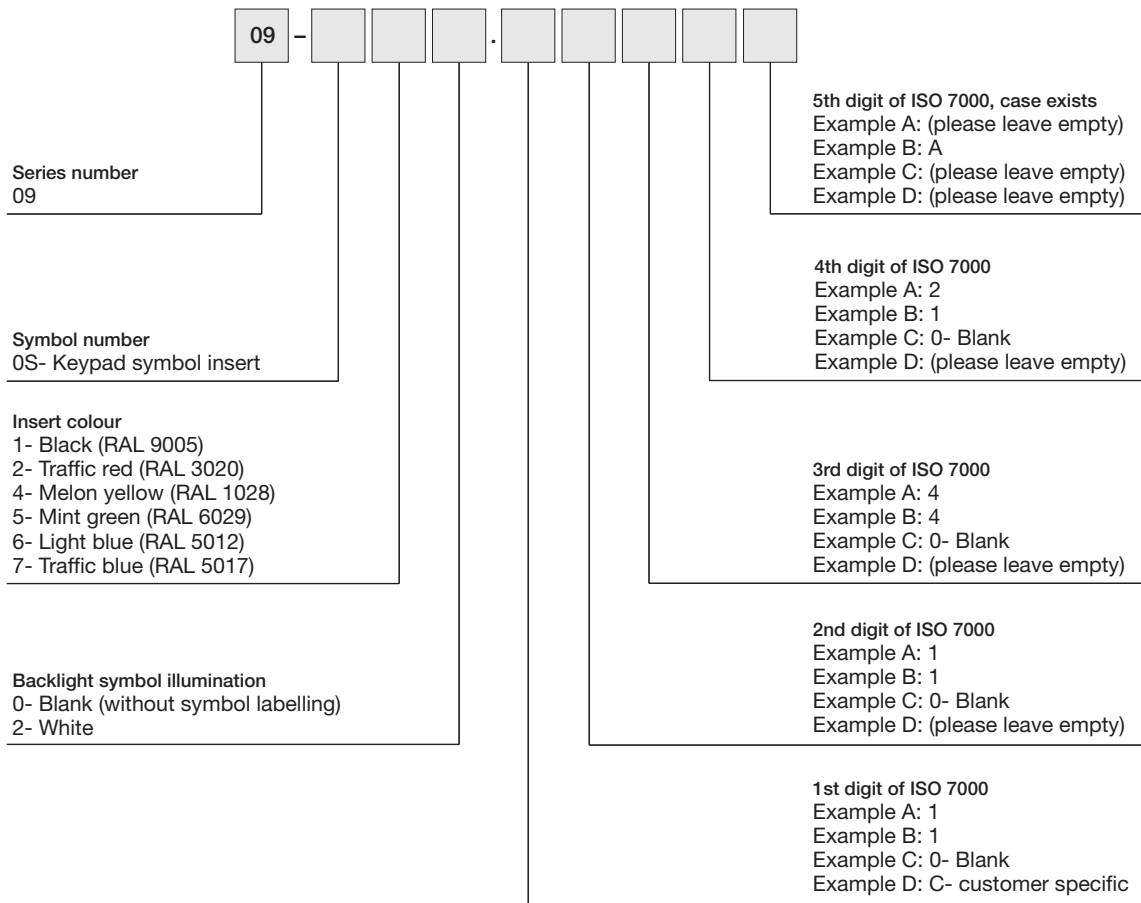
Part No. module (12 digits)



- 01
- 02
- 03
- 04
- 09**
- 14
- 17
- 18
- 19
- 22
- 31
- 41
- 45
- 51
- 56
- 57
- 61
- 70
- 71
- 82
- 84
- 92
- 96

09 Numbering structure

Part No. symbols



Keypad PREMIUM*



Mechanical characteristics

- Actuation force: approx. 6.5 N
- Overload: 250 N
- Mechanical lifetime: up to 2 million cycles of operation
- Impact resistance: IK07 according to IEC 62262

Electrical characteristics

- Operating voltage range 8–32 VDC

Illumination

- Halo ring and symbol illumination can be configured independently
- LED symbol illumination
 - Colour: white
 - Luminance: approx. 20 cd/m² (dimnable)
- LED halo ring illumination with four freely configurable segments
 - Multi-colour: RGB LED
 - Luminance: approx. 1500 cd/m² (dimnable)
- Illumination functions: steady lighting, flashing, pulses, rotations, colour changes
 - Halo and symbol illumination can be configured individually

Symbols

- Symbols in accordance with ISO 7000
- Customer-specific symbols on request

Interfaces

- CAN interface (ISO 11898)
- CANopen Safety (EN 50325-5)
- Baud rate 250 kBd and 500 kBd (software configurable)

- Connector Deutsch DT04-6P
- Designed in accordance with the safety requirements of vehicles as per ISO 26262 ASIL B and EN ISO 13849 PL d

Ambient conditions

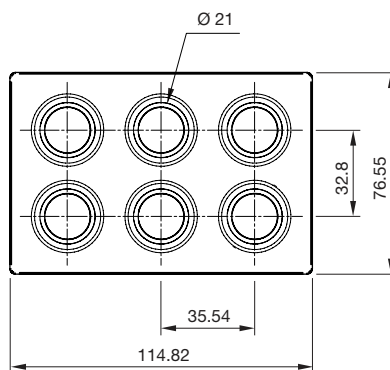
- Operating temperature: –40°C ... +85°C
- Storage temperature: –40°C ... +85°C

Protection degree

- IP6K7 according to ISO 20653
- Up to IP6K7 (panel/screw-in version)
- Up to IP5K4 (panel/clip-in version)

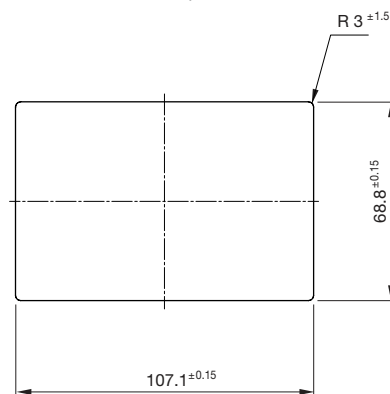
Dimensions

(All dimensions in mm)



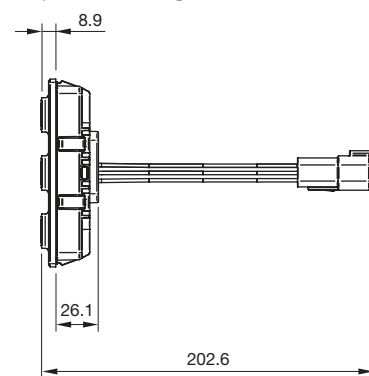
Mounting cut-out

(Front plate thickness 1.0 mm ... 4.0 mm) *2

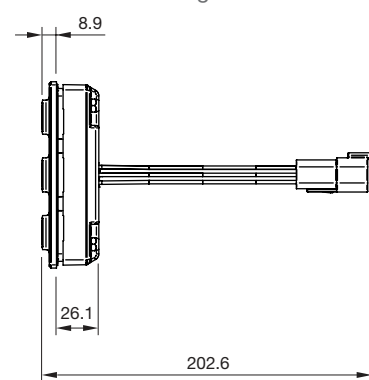


Mounting

Clip-in mounting



Screw-in mounting



*1 Availability of the PREMIUM variant for functional safety on request.

*2 For vibration-proof mounting, a front plate of at least 2 mm thickness is recommended.

09 Rugged Keypad Modules

Keypad SUPER



Mechanical characteristics

- Actuation force: approx. 6.5 N
- Overload: 250 N
- Mechanical lifetime: up to 2 million cycles of operation
- Impact resistance: IK07 according to IEC 62262

Electrical characteristics

- Operating voltage range: 8–32 VDC

Illumination

- Halo ring and symbol illumination can be configured independently
- LED symbol illumination
 - Colour: white
 - Luminance: approx. 20 cd/m², dimmable
- LED halo ring illumination with four freely configurable segments
 - Multi-colour: RGB
 - Luminance: approx. 1500 cd/m² dimmable
- Illumination functions: steady lighting, flashing, pulses, rotations, colour changes
 - Halo and symbol illumination can be configured individually

Symbols

- Symbols in accordance with ISO 7000
- Customer-specific symbols on request

Interfaces

- CAN interface (ISO 11898)
- CAN protocols: CANopen (CiA 401), CAN J1939

- Baud rate 250 kBd and 500 kBd (software configurable)
- Connector Deutsch DT04-6P

Ambient conditions

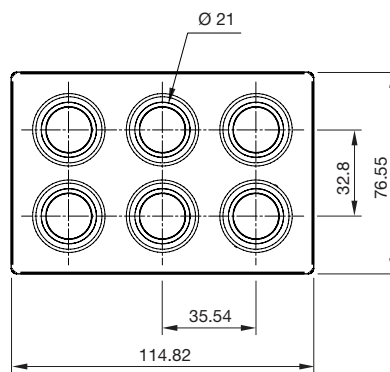
- Operating temperature: –40 °C ... +85 °C
- Storage temperature: –40 °C ... +85 °C

Protection degree

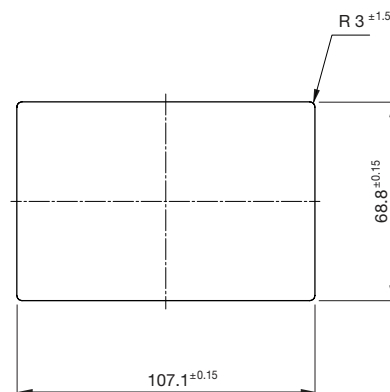
- IP6K7 according to ISO 20653
- Up to IP6K7 (panel/screw-in version)
- Up to IP5K4 (panel/clip-in version)

Dimensions

(All dimensions in mm)

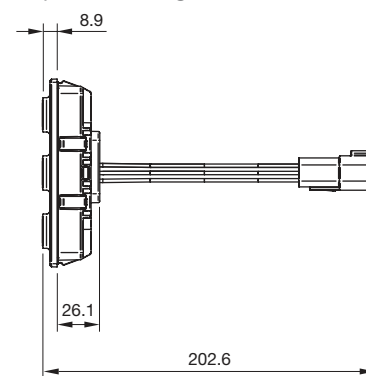


Mounting cut-out
(Front plate thickness 1.0 mm ... 4.0 mm) *

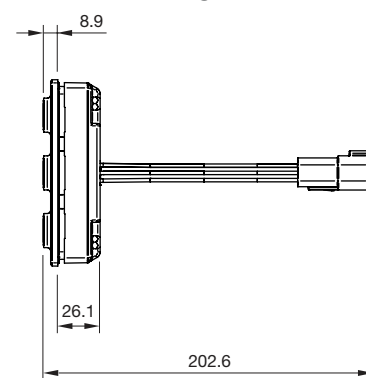


Mounting

Clip-in mounting



Screw-in mounting



* For vibration-proof mounting, a front plate of at least 2 mm thickness is recommended.

Keypad PLUS



Mechanical characteristics

- Actuation force: approx. 6.5 N
- Overload: 250 N
- Mechanical lifetime: up to 2 million cycles of operation
- Impact resistance: IK07 according to IEC 62262

Electrical characteristics

- Operating voltage range: 8–32 VDC

Illumination

- LED symbol illumination
 - Colour: white
 - Luminance: approx. 20 cd/m², (dimnable)
- LED halo ring illumination
 - Colour: red (other colours on request)
 - Luminance: approx. 750 cd/m² (dimnable)
- Illumination functions: lighting, flashing, pulses
 - Halo and symbol illumination can be configured individually

Symbols

- Symbols in accordance with ISO 7000
- Customer-specific symbols on request

Interfaces

- CAN interface (ISO 11898)
- CAN protocols: CANopen (CiA 401), CAN J1939
- Baud rate 250 kBd and 500 kBd (software configurable)
- Connector Deutsch DT04-6P

Ambient conditions

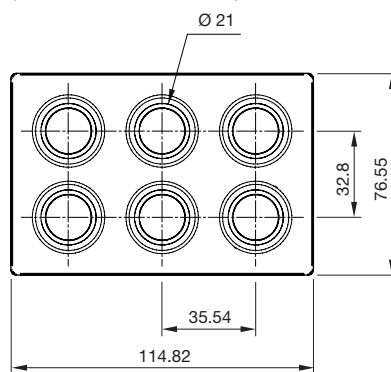
- Operating temperature: –40°C ... +85°C
- Storage temperature: –40°C ... +85°C

Protection degree

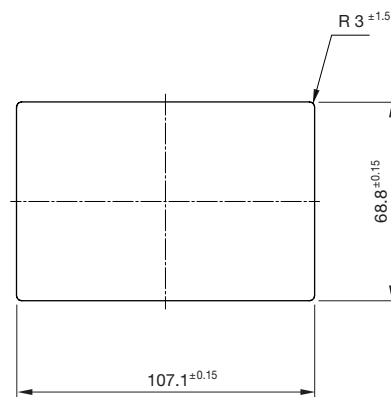
- IP6K7 according to ISO 20653
- Up to IP6K7 (panel/screw-in version)
- Up to IP5K4 (panel/clip-in version)

Dimensions

(All dimensions in mm)

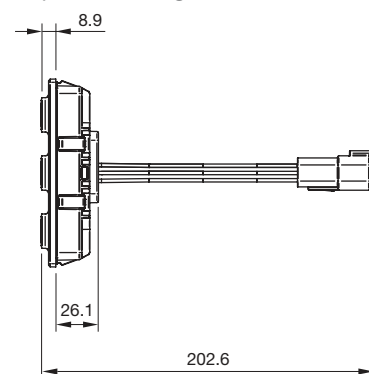


Mounting cut-out
(Front plate thickness 1.0 mm ... 4.0 mm) *

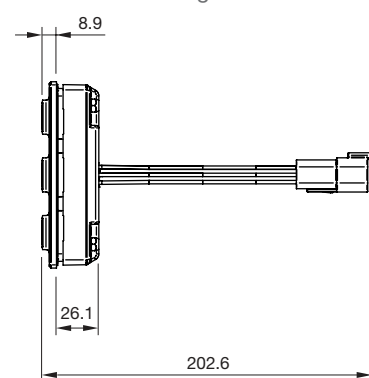


Mounting

Clip-in mounting



Screw-in mounting



* For vibration-proof mounting, a front plate of at least 2 mm thickness is recommended.

09 Rugged Keypad Modules

Keypad BASIC



Mechanical characteristics

- Actuation force: approx. 6.5 N
- Overload: 250 N
- Mechanical lifetime: up to 2 million cycles of operation
- Impact resistance: IK07 according to IEC 62262

Electrical characteristics

- 8–18 VDC or 18–32 VDC for operating voltage of the illumination for use in 12 V or 24 V applications. Optionally available with switch contacts with diagnostic capability

Illumination

- Halo ring and symbol illumination can be configured independently
- LED symbol illumination
 - Colour: white
 - Luminance: approx. 20 cd/m², (dimnable)
- LED halo ring illumination
 - Colour: red
 - (other colours on request)
 - Luminance: approx. 750 cd/m²
- Illumination functions
 - Halo and symbol illumination can be configured individually

Symbols

- Symbols in accordance with ISO 7000
- Customer-specific symbols on request

Interfaces

- Connector: Würth Elektronik WR-MPC3, 16 Pins

Ambient conditions

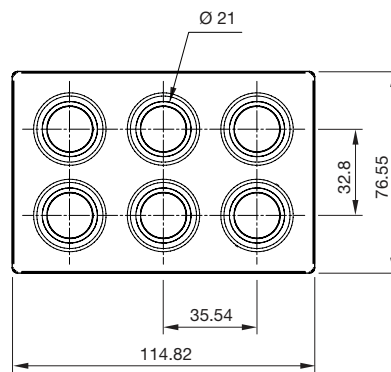
- Operating temperature: –40 °C ... +85 °C
- Storage temperature: –40 °C ... +85 °C

Protection degree

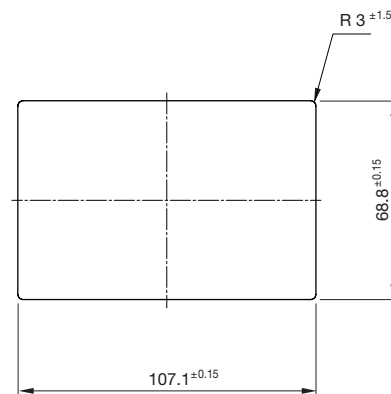
- IP6K7 (front side)
- IP20 (rear side) according to ISO 20653
- Up to IP6K7 (panel/screw-in version)
- Up to IP5K4 (panel/clip-in version)

Dimensions

(All dimensions in mm)

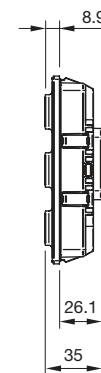


Mounting cut-out
(Front plate thickness 1.0 mm ... 4.0 mm) *

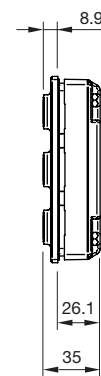


Mounting

Clip-in mounting



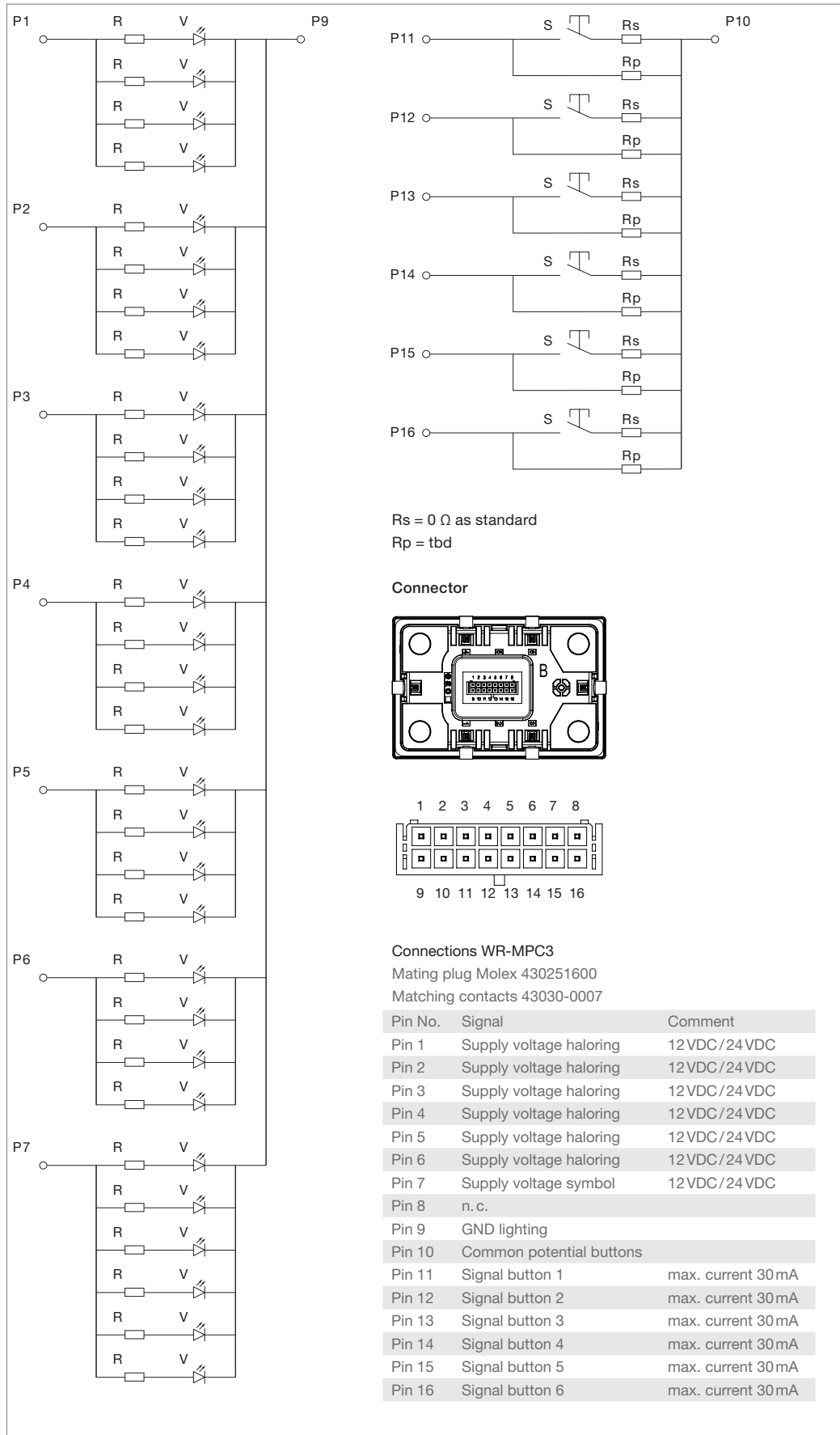
Screw-in mounting



* For vibration-proof mounting, a front plate of at least 2 mm thickness is recommended.

Wiring diagram, connector

Wiring diagram



09 Rugged Keypad Modules

Keypad SUPER



Mechanical characteristics

- Actuation force: approx. 11 N
- Overload: 250 N
- Mechanical lifetime: up to 2 million cycles of operation
- Impact resistance: IK07 according to IEC 62262

Electrical characteristics

- Operating voltage range: 8–32 VDC

Illumination

- Halo ring and symbol illumination can be configured independently
- LED symbol illumination
 - Colour: white
 - Luminance: approx. 20 cd/m² (dimnable)
- LED halo ring illumination with four freely configurable segments
 - Multi-colour: RGB
 - Luminance: approx. 1500 cd/m² (dimnable)
- Illumination functions: steady lighting, flashing, pulses, rotations, colour changes
 - Halo and symbol illumination can be configured individually

Symbols

- Symbols in accordance with ISO 7000
- Customer-specific symbols on request

Interfaces

- CAN interface (ISO 11898)
- CAN protocols: CANopen (CiA 401), CAN J1939
- Baud rate 250 kBd and 500 kBd (software configurable)
- Connector Deutsch DT04-6P

Ambient conditions

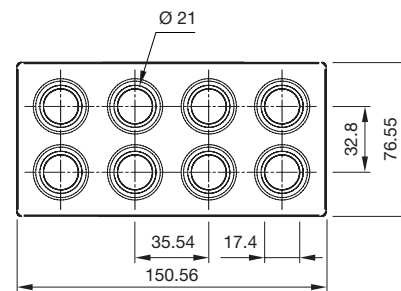
- Operating temperature: –40 °C ... +85 °C
- Storage temperature: –40 °C ... +85 °C

Protection degree

- IP6K9K according to ISO 20653 *1
- Up to IP6K9 (panel/screw-in version)
- Up to IP5K4 (panel/clip-in version)

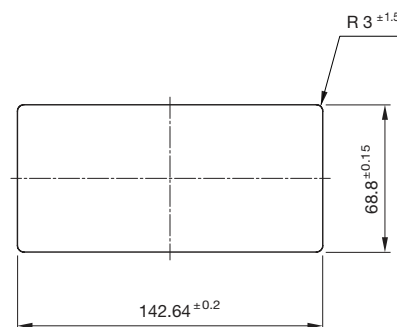
Dimensions

(All dimensions in mm)



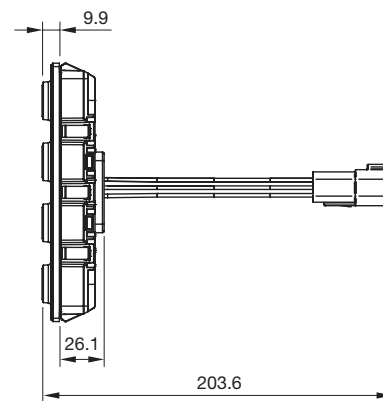
Mounting cut-out

(Front plate thickness 1.0 mm ... 4.0 mm) *2

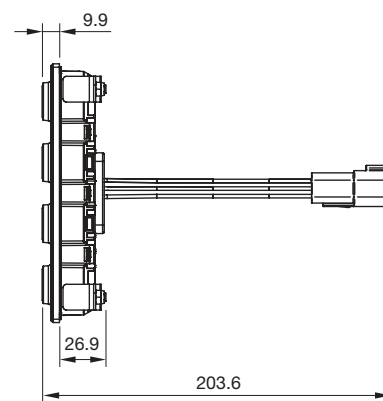


Mounting

Clip-in mounting



Screw-in mounting



*1 Under extreme conditions, the symbol inserts may detach. These can be easily reinserted in the keypad. For further information, please refer to the operating instructions.

*2 For vibration-proof mounting, a front plate of at least 2 mm thickness is recommended.

Keypad PLUS



Mechanical characteristics

- Actuation force: approx. 11 N
- Overload: 250 N
- Mechanical lifetime: up to 2 million cycles of operation
- Impact resistance: IK07 according to IEC 62262

Electrical characteristics

- Operating voltage range: 8–32 VDC

Illumination

- LED symbol illumination
 - Colour: white
 - Luminance: approx. 20 cd/m², (dimnable)
- LED halo ring illumination
 - Colour: red (other colours on request)
 - Luminance: approx. 750 cd/m² (dimnable)
- Illumination functions: lighting, flashing, pulses
 - Halo and symbol illumination can be configured individually

Symbols

- Symbols in accordance with ISO 7000
- Customer-specific symbols on request

Interfaces

- CAN interface (ISO 11898)
- CAN protocols: CANopen (CiA 401), CAN J1939
- Baud rate 250 kBd and 500 kBd (software configurable)
- Connector Deutsch DT04-6P

Ambient conditions

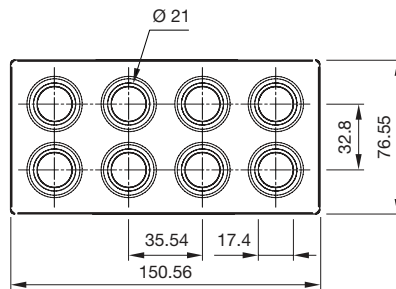
- Operating temperature: –40°C ... +85°C
- Storage temperature: –40°C ... +85°C

Protection degree

- IP6K9K according to ISO 20653 *1
- Up to IP6K7 (panel/screw-in version) *1
- Up to IP5K4 (panel/clip-in version)

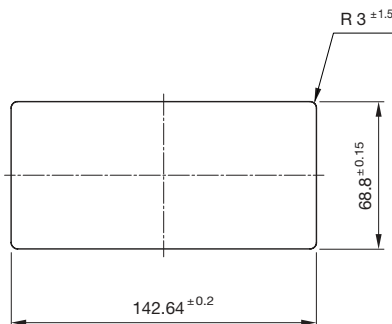
Dimensions

(All dimensions in mm)



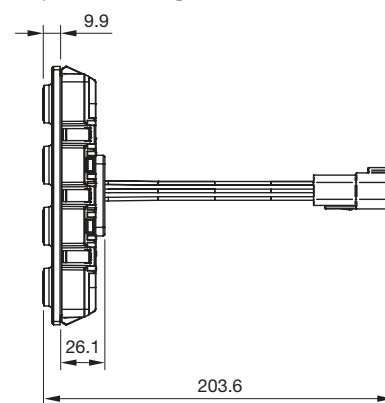
Mounting cut-out

(Front plate thickness 1.0 mm ... 4.0 mm) *2

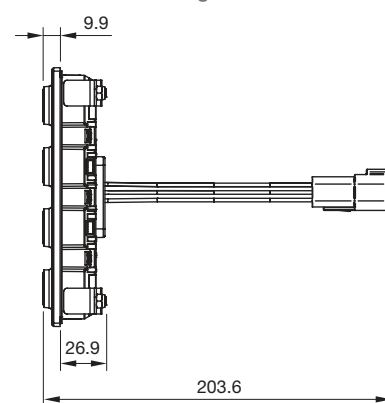


Mounting

Clip-in mounting



Screw-in mounting



*1 Under extreme conditions, the symbol inserts may detach. These can be easily reinserted in the keypad. For further information, please refer to the operating instructions.

*2 For vibration-proof mounting, a front plate of at least 2 mm thickness is recommended.

09 Rugged Keypad Modules

Keypad BASIC



Mechanical characteristics

- Actuation force: approx. 11 N
- Overload: 250 N
- Mechanical lifetime: up to 2 million cycles of operation
- Impact resistance: IK07 according to IEC 62262

Electrical characteristics

- 8–18VDC or 18–32VDC for operating voltage of the illumination for use in 12V or 24V applications. Optionally available with switch contacts with diagnostic capability

Illumination

- Halo ring and symbol illumination can be configured independently
- LED symbol illumination
 - Colour: white
 - Luminance: approx. 20cd/m², (dimnable)
- LED halo ring illumination
 - Colour: red
 - (other colours on request)
 - Luminance: approx. 750cd/m²
- Illumination functions
 - Halo and symbol illumination can be configured individually

Symbols

- Symbols in accordance with ISO 7000
- Customer-specific symbols on request

Interfaces

- Connector: Würth Elektronik WR-MPC3, 20 Pins

Ambient conditions

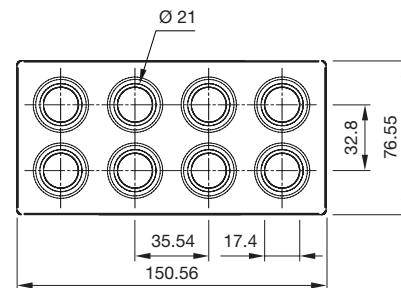
- Operating temperature: –40°C ... +85°C
- Storage temperature: –40°C ... +85°C

Protection degree

- IP6K9K (front side)
- IP20 (rear side) according to ISO 20653 *1
- Up to IP6K9K (panel/screw-in version)
- Up to IP5K4 (panel/clip-in version)

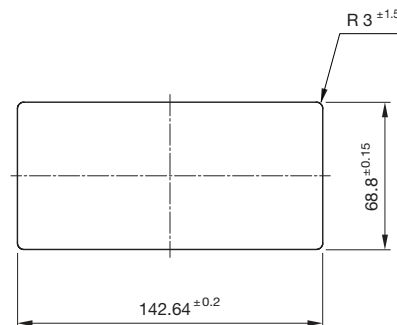
Dimensions

(All dimensions in mm)



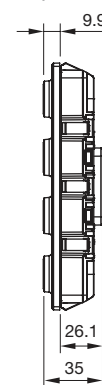
Mounting cut-out

(Front plate thickness 1.0 mm ... 4.0 mm) *

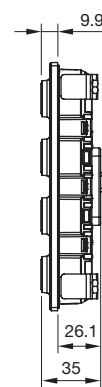


Mounting

Clip-in mounting



Screw-in mounting



*1 Under extreme conditions, the symbol inserts may detach. These can be easily reinserted in the keypad. For further information, please refer to the operating instructions.

*2 For vibration-proof mounting, a front plate of at least 2 mm thickness is recommended.

Accessories

Protective shroud



Artikel-Nr.

09-0A00.0100

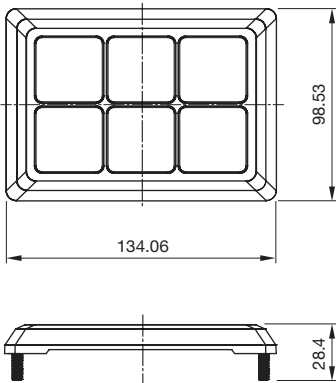
09-0A00.0300

Schutzrahmen für Rugged Keypad 6PB

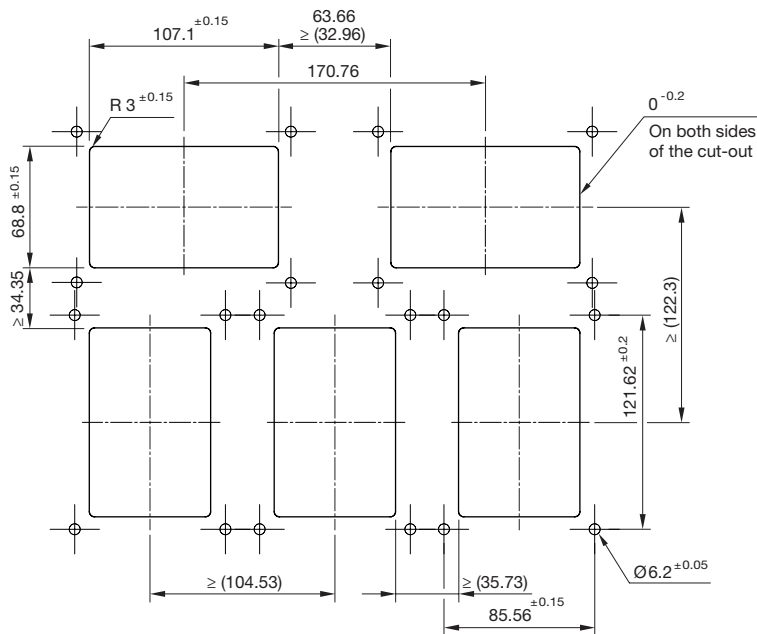
Schutzrahmen für Rugged Keypad 8PB

Dimensions Keypad 6PB

(All dimensions in mm)

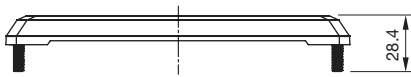
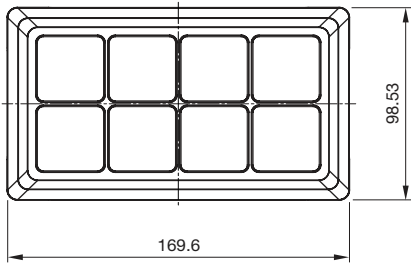


Mounting cut-out Keypad 6PB

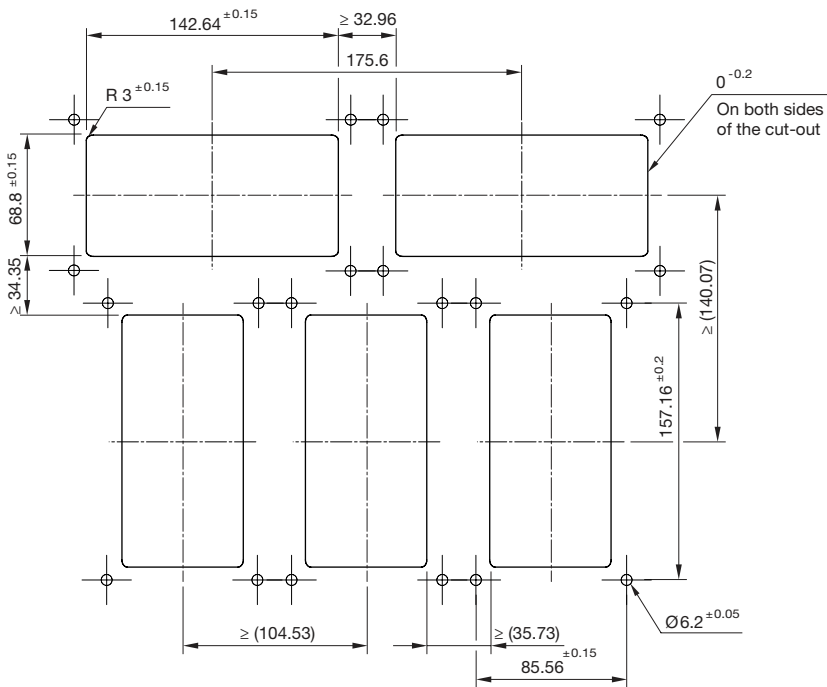


09 Rugged Keypad Modules

Dimensions Keypad 8PB (All dimensions in mm)



Mounting cut-out Keypad 8PB



6-pushbutton Keypad SUPER



Mechanical characteristics

- Actuating force: approx. 6 N
- Overload force: 250 N
- Lifecycle: up to 250 000 cycles of operation
- Impact resistance: IEC 62262 IK07

Electrical characteristics

- Operating voltage range 8-32 VDC
- LoadDump A or B

Illumination

- Halo-ring and symbol illumination can be configured independently of one another
- Halo-ring effects: flashing, pulsing, colour change
- LED symbol illumination
 - Colour: white
 - Luminance: approx. 20 cd/m² (dimnable)
- LED halo-ring illumination
 - Colour: multi-colour RGB
 - Luminance: approx. 500 cd/m² (dimnable*)

*depending on the respective colour

Symbols

- Symbols in accordance with ISO 7000
- Customer-specific symbols on request

Connections/interfaces

- CAN interface (ISO 11898)
- CAN protocols: CANOpen (CiA 401), CAN J1939
- Baud rate 125, 250, 500, 1000 kBit/s (configurable through software)
- Integrated plug recess, compatible with TE 8P-1745000-3

Protection degree

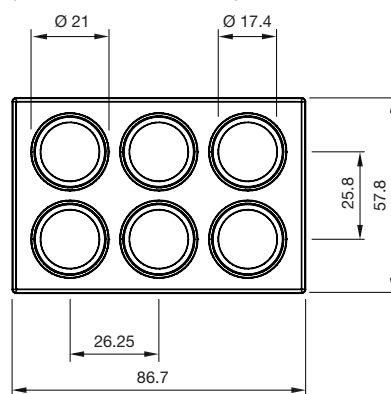
- IP5K4 in accordance with ISO 20653 (front side in installed state)
- IP20 in accordance with ISO 20653 (rear side)

Ambient conditions

- Operating temperature -40°C ... +85°C
- Storage temperature -40°C ... +85°C

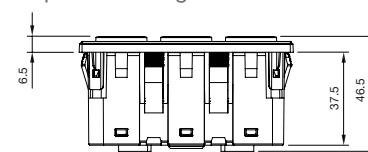
Dimensions

(All dimensions in mm)

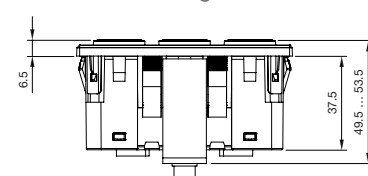


Mounting

Clip-in mounting



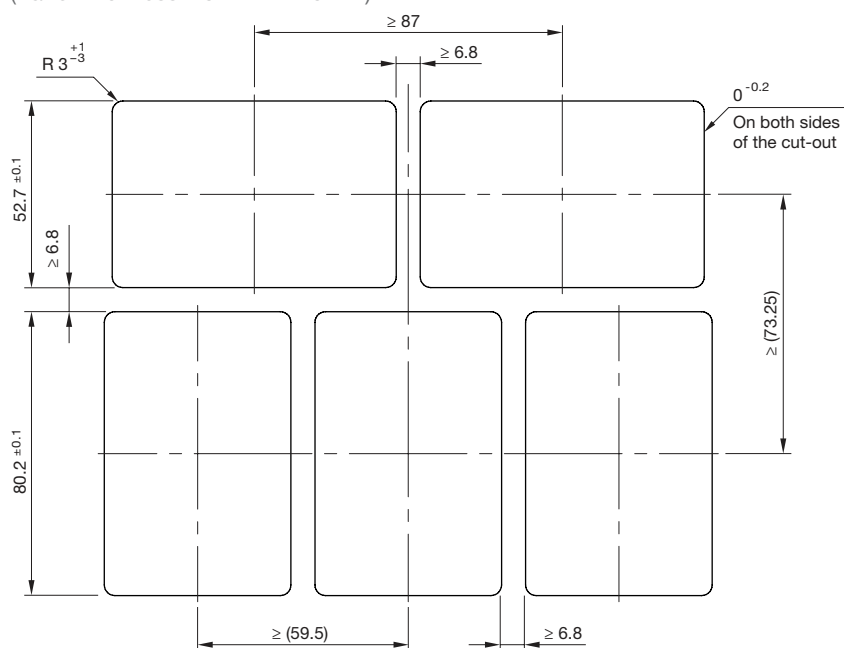
Screw-in mounting



The keypad can be mounted into front plate thicknesses between 1 and 4 mm. A front plate of at least 2 mm thickness is recommended. Non-compliance with these specifications may lead to damage to the locking tongue.

Mounting cut-out

(Panel thickness 1.0 mm ... 4.0 mm)



01
02
03
04
09
14
17
18
19
22
31
41
45
51
56
57
61
70
71
82
84
92
96

09 In-Cabin Keypad Modules

6-pushbutton Keypad PLUS



Mechanical characteristics

- Actuating force: approx. 6 N
- Overload force: 250 N
- Lifecycle: up to 250 000 cycles of operation
- Impact resistance: IEC 62262 IK07

Electrical characteristics

- Operating voltage range 8-32 VDC LoadDump A or B

Illumination

- Halo-ring and symbol illumination can be configured independently of one another
Halo-ring effects: flashing, pulsing, colour change
- LED symbol illumination
 - Colour: white
 - Luminance: approx. 20 cd/m² (dimnable)
- LED halo-ring illumination
 - Colour: red (other colours on request)
 - Luminance: approx. 500 cd/m² (dimnable)

Symbols

- Symbols in accordance with ISO 7000
- Customer-specific symbols on request

Connections/interfaces

- CAN interface (ISO 11898)
- CAN protocols: CANOpen (CiA 401), CAN J1939
- Baud rate 125, 250, 500, 1000 kBit/s (configurable through software)
- Integrated plug recess, compatible with TE 8P-1745000-3

Protection degree

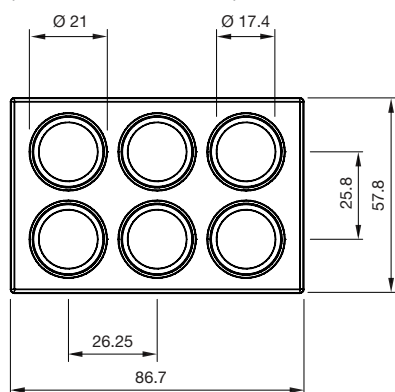
- IP5K4 in accordance with ISO 20653 (front side in installed state)
- IP20 in accordance with ISO 20653 (rear side)

Ambient conditions

- Operating temperature -40°C ... +85°C
- Storage temperature -40°C ... +85°C

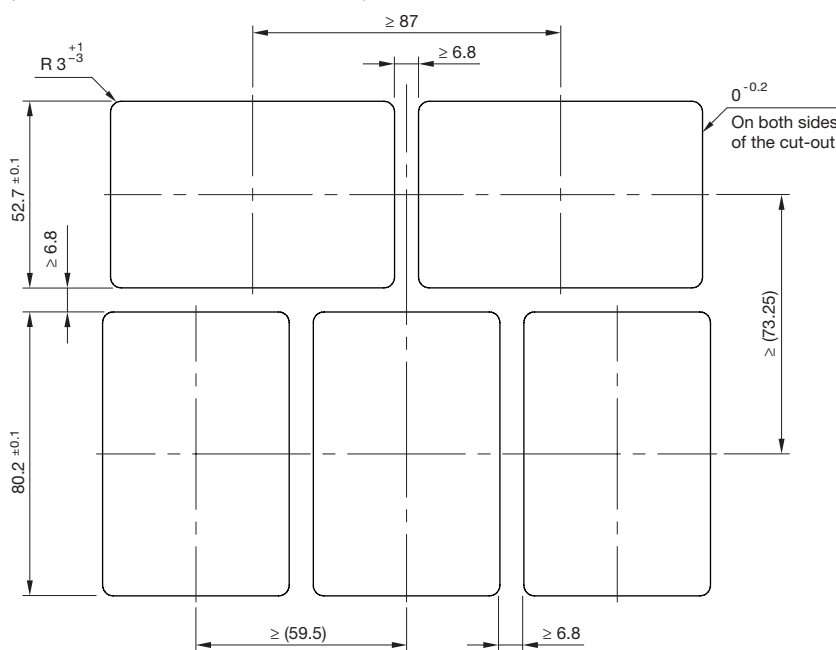
Dimensions

(All dimensions in mm)



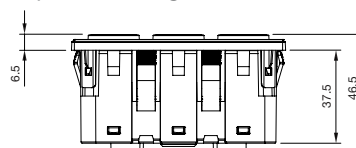
Mounting cut-out

(Panel thickness 1.0 mm ... 4.0 mm)

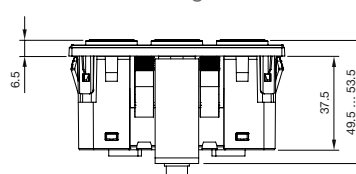


Mounting

Clip-in mounting



Screw-in mounting



The keypad can be mounted into front plate thicknesses between 1 and 4 mm. A front plate of at least 2 mm thickness is recommended. Non-compliance with these specifications may lead to damage to the locking tongue.

6-pushbutton Keypad BASIC



Mechanical characteristics

- Actuating force: approx. 6 N
- Overload force: 250 N
- Lifecycle: up to 250 000 cycles of operation
- Impact resistance: IEC 62262 IK07

Electrical characteristics

- Operating voltage range: 8 – 18VDC or 18 – 32VDC
Operating voltage of illumination for use in 12V or 24V applications. Available with the option of diagnostic switching contacts
- Max. power: 1 W (without NAMUR)
0.25 W (with NAMUR)
- Max. current: 30 mA
- Min. current: 2 mA
- Max. voltage: 32 V
- Contact resistance (unactuated): > 2 M Ω (without NAMUR)
1 k Ω \pm 4 % (with NAMUR)
- Contact resistance (actuated): < 10 Ω (without NAMUR)
110 Ω \pm 10 Ω (with NAMUR)

Illumination

- Halo-ring and symbol illumination can be configured independently of one another
- LED symbol illumination
 - Colour: white
 - Luminance: approx. 20 cd/m² (dimnable)
- LED halo-ring illumination
 - Colour: red (other colours on request)
 - Luminance: approx. 500 cd/m² (dimnable)

Symbols

- Symbols in accordance with ISO 7000
- Customer-specific symbols on request

Connections/interfaces

- Integrated plug recess, compatible with TE 8P-1745000-3/8P-1745000-4, 8-pin

Protection degree

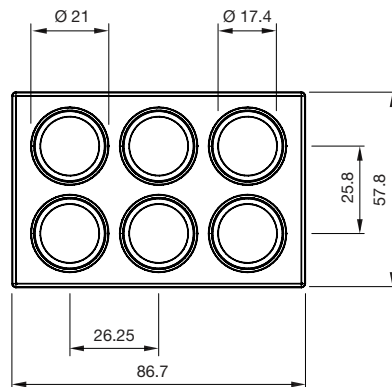
- IP5K4 in accordance with ISO 20653 (front side in installed state)
- IP20 in accordance with ISO 20653 (rear side)

Ambient conditions

- Operating temperature –40 °C ... +85 °C
- Storage temperature –40 °C ... +85 °C

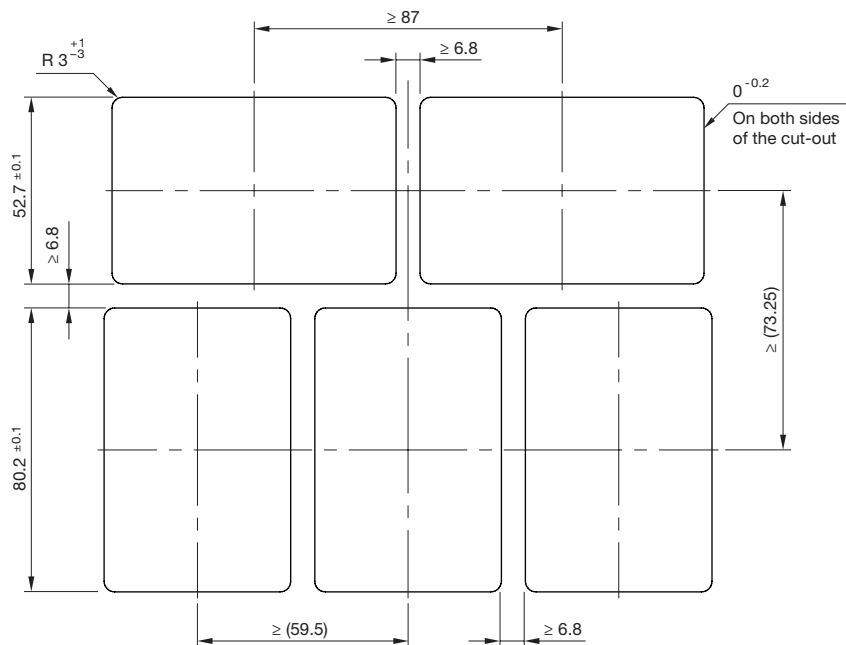
Dimensions

(All dimensions in mm)



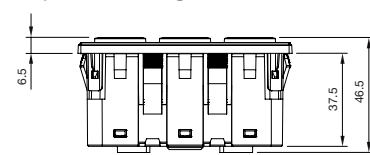
Mounting cut-out

(Panel thickness 1.0 mm ... 4.0 mm)

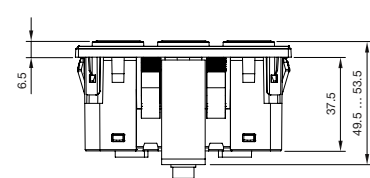


Mounting

Clip-in mounting



Screw-in mounting



The keypad can be mounted into front plate thicknesses between 1 and 4 mm. A front plate of at least 2 mm thickness is recommended. Non-compliance with these specifications may lead to damage to the locking tongue.

09 In-Cabin Keypad Modules

2-pushbutton Keypad BASIC



Mechanical characteristics

- Actuating force: approx. 6 N
- Overload force: 250 N
- Lifecycle: up to 250 000 cycles of operation
- Impact resistance: IEC 62262 IK07

Electrical characteristics

- Operating voltage range 8 – 32 VDC
Available with the option of diagnostic switching contacts (NAMUR)
- Max. power:
1 W (without NAMUR)
0.25 W (with NAMUR)
- Max. current:
30 mA
- Min. current:
2 mA
- Max. voltage:
32 V
- Contact resistance (unactuated):
> 2 M Ω (without NAMUR)
1 k Ω \pm 4 % (with NAMUR)
- Contact resistance (actuated):
< 10 Ω (without NAMUR)
110 Ω \pm 10 Ω (with NAMUR)

Illumination

- Halo-ring and symbol illumination can be configured independently of one another
- LED symbol illumination
 - Colour: white
 - Luminance: approx. 20 cd/m² (dimnable)
- LED halo-ring illumination
 - Colour: red (other colours on request)
 - Luminance: approx. 500 cd/m² (dimnable)

Symbols

- Symbols in accordance with ISO 7000
- Customer-specific symbols on request

Connections/interfaces

- Integrated plug recess, compatible with TE 8P-1745000-3/8P-1745000-4, 8-pin

Protection degree

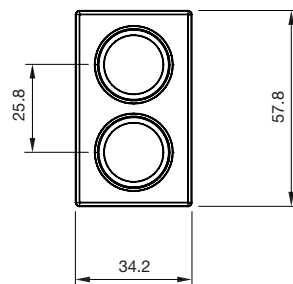
- IP5K4 in accordance with ISO 20653 (front side in installed state)
- IP20 in accordance with ISO 20653 (rear side)

Ambient conditions

- Operating temperature
–40 °C ... +85 °C
- Storage temperature
–40 °C ... +85 °C

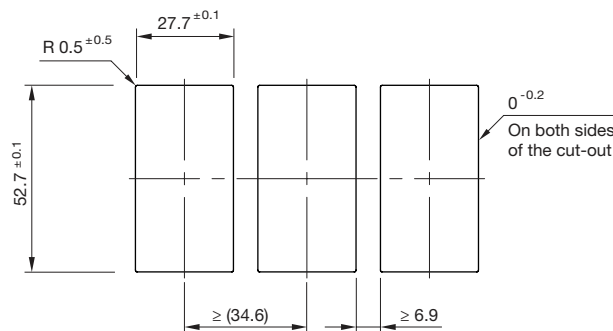
Dimensions

(All dimensions in mm)



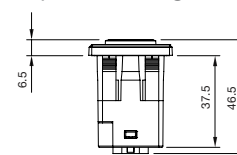
Mounting cut-out

(Panel thickness 1.0 mm ... 4.0 mm)

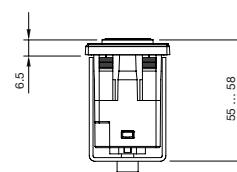


Mounting

Clip-in mounting



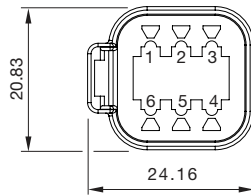
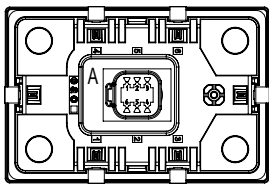
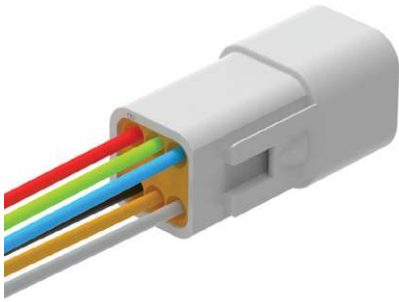
Screw-in mounting



The keypad can be mounted into front plate thicknesses between 1 and 4 mm. A front plate of at least 2 mm thickness is recommended. Non-compliance with these specifications may lead to damage to the locking tongue.

Accessories

Deutsch DT Series connector (DT04-6P)



Connector 6 – DT (DT04-6P)

Mating plug Deutsch DT06-6S
 Matching contacts e.g. 1062-16-0122
 Matching wedge W6-S

Pin Nr.	Signal	Wire colour	Comment
Pin 1	GND	Black	
Pin 2	CAN High	Yellow	
Pin 3	WakeUp_Out	Grey	
Pin 4	WakeUp_In	Blue	
Pin 5	CAN Low	Green	
Pin 6	Vcc		8 – 32VDC

All dimensions in mm.

Symbol inserts



The interchangeable symbol inserts are available with ISO 7000 or customer-specific symbols. In addition to the standard colour black, symbol inserts are also available in a variety of other colours.

Tool for legends



The symbol insert tool with trendy design enables userfriendly fitting and removal of symbol inserts of the pushbuttons.









09 Universal Switch

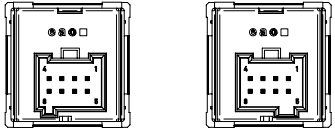
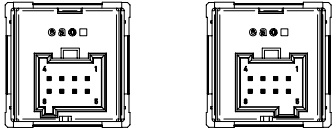





Product variants

Versatile product variants

The Series 09 universal switch is available in two variants – STANDARD and DUAL CONTACT – and offers universal configuration options. The product variants and their configurations mean the Series 09 universal switch can be used for a wide range of applications – including safety-relevant functions such as hazard light button or transmission control.

This configurability offers many possibilities for the type and number of switching contacts, vehicle voltage, and the option of diagnostic capability. Definitions of haptic feedback, two different connector codings, and a complete selection of ISO 7000 symbols – or custom symbols – complete the comprehensive options to choose from.

Product options, Series 09 universal switch					
Features		Product options	Variants		
			STANDARD	DUAL CONTACT	
				NO-NO	NO/NC-NO
Electrical properties		12V	✓	✓	✓
		24V	✓	✓	✓
		12V Namur $R_s=120\Omega/R_p=1K\Omega$	✓	✓	✓
		24V Namur $R_s=120\Omega/R_p=1K\Omega$	✓	✓	✓
Haptics		Firm haptics (short travel)	✓	✗	✓
		Soft haptics (long travel)	✓	✓	✗
		Without haptics	✓	✗	✗
Symbol illumination	   White Red Without	White	✓	✓	✓
		Red	✓	✓	✓
		Without symbol illumination	✓	✗	✗
Status indicator	   Without One LED Three LEDs	Without status indicator	✓	✓	✓
		One red status indicator	✓	✓	✓
		Three red status indicators	✓	✗	✗

Features			Product options	Variants		
				STANDARD	DUAL CONTACT	
					NO-NO	NO/ NC-NO
TYCO Connector			Tyco 8P-1745000-3 (black)	✓	✓	✓
			Tyco 8P-1745000-4 (grey)	✓	✓	✓
			Without connector	✓	✗	✗
Symbol	ISO 7000	 Customized	ISO 7000- XXXX			
			Customized symbol*			
Symbol direction	 0°	 90°	0°			
			90°			
	 180°	 270°	180°			
			270°			

Notes

- ✗ For this variant the option is not available
- * For customized symbols, please send us the corresponding file

- 01
- 02
- 03
- 04
- 09**
- 14
- 17
- 18
- 19
- 22
- 31
- 41
- 45
- 51
- 56
- 57
- 61
- 70
- 71
- 82
- 84
- 92
- 96

09 Universal Switch

Universal Switch STANDARD



Product options

- 12V or 24V (optionally available as diagnosis-capable version with Namur contact)

Mechanical characteristics

- Actuation force:
approx. 4.5N (soft (long travel) haptics)
approx. 6.5N (firm (short travel) haptics)
- Overload: 250N
- Mechanical lifetime: up to 250 000 cycles of operation

Electrical characteristics

- Operating voltage range:
8–18VDC (12V product option)
18–32VDC (24V product option)
- Max. current: 50mA
- Min. current: 1mA
- Max. power: 1VA (without Namur)
0.25VA (with Namur)
- Max. switching voltage: 32VDC
- Contact resistance:
< 10Ω (without Namur)
106Ω–118Ω (with Namur)

Illumination

- LED symbol illumination
 - Colour white, luminance:
approx. 20 cd/m²
(conditions: 28VDC or 14VDC,
23°C ±2K)
 - Colour red (for hazard warning light),
luminance: approx. 90 cd/m²
(conditions: 28VDC or 14VDC,
23°C ±2K)
- LED status indicator
 - Colour red, luminance:
approx. 200 cd/m²
(28VDC or 14VDC and 23°C ±2K)

Symbols

- Symbols in accordance with ISO 7000
- Customer-specific symbols on request

Connections/interfaces

- Integrated plug recess,
suitable for TE 8P-1745000-3 or
8P-1745000-4, 8-pin

Ambient conditions

- Operating temperature
–40°C ... +85°C
- Storage temperature
–40°C ... +85°C

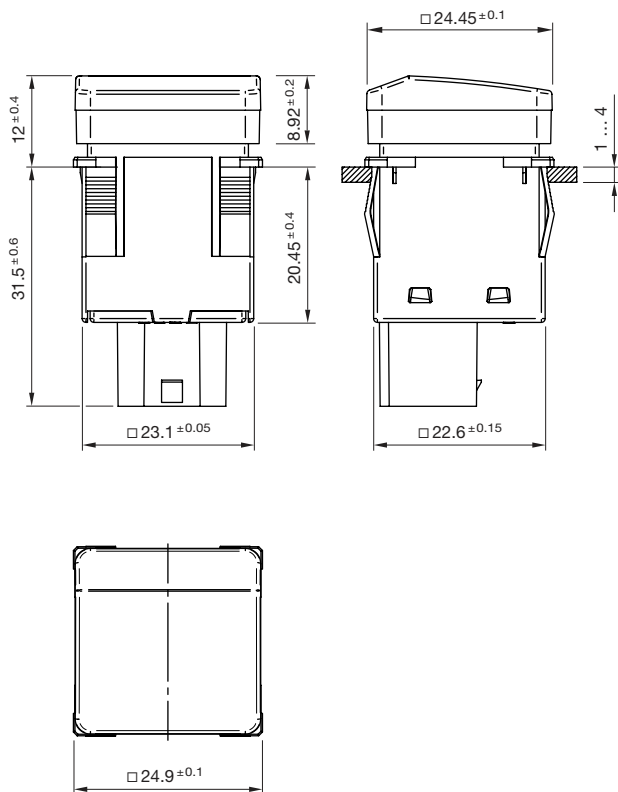
Protection degree

- up to IP5K4 front side
(built into a panel)
- IP20 rear side



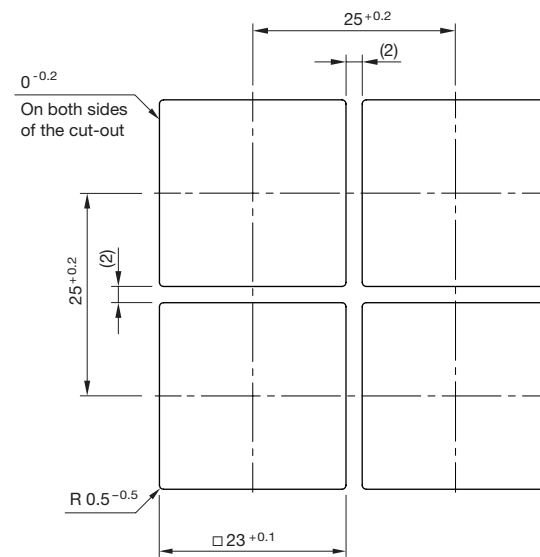
Dimensions

(All dimensions in mm)



Mounting cut-outs

(All dimensions in mm)



The switch can be mounted in front panel thicknesses between 2 and 4 mm. To guarantee stability and density, a plastic front panel with a material thickness of 3 mm is recommended.

Further information is provided in the corresponding operating instructions at www.eao.com/09-universal-switch.



09 Universal Switch

Universal Switch DUAL CONTACT



Product options

- NO/NO or NO/NC-NO (optionally available as diagnosis-capable version with Namur contact)
- 12V or 24V (optionally available as diagnosis-capable version with Namur contact)

Mechanical characteristics

- Actuation force: approx. 4.5N (soft (long travel) haptics) NO/NO approx. 6.5N (firm (short travel) haptics) NO/NC-NO
- Overload: 250N
- Mechanical lifetime: up to 250000 cycles of operation

Electrical characteristics

- Operating voltage range: 8–18VDC (12V product option) 18–32VDC (24V product option)
- Max. current: 50mA
- Min. current: 1mA
- Max. power: 1VA (without Namur) 0.25VA (with Namur)
- Max. switching voltage: 32VDC
- Contact resistance: <math>< 10 \Omega</math> (without Namur) 106 Ω –118 Ω (with Namur)

Illumination

- LED symbol illumination
 - Colour white, luminance: approx. 20 cd/m² (conditions: 28VDC or 14VDC, 23°C ±2K)
 - Colour red (for hazard warning light), luminance: approx. 90 cd/m² (conditions: 28VDC or 14VDC, 23°C ±2K)
- LED status indicator
 - Colour red, luminance: approx. 200 cd/m² (28VDC or 14VDC and 23°C ±2K)

Symbols

- Symbols in accordance with ISO 7000
- Customer-specific symbols on request

Connections/interfaces

- Integrated plug recess, suitable for TE 8P-1745000-3 or 8P-1745000-4, 8-pin

Ambient conditions

- Operating temperature –40°C ... +85°C
- Storage temperature –40°C ... +85°C

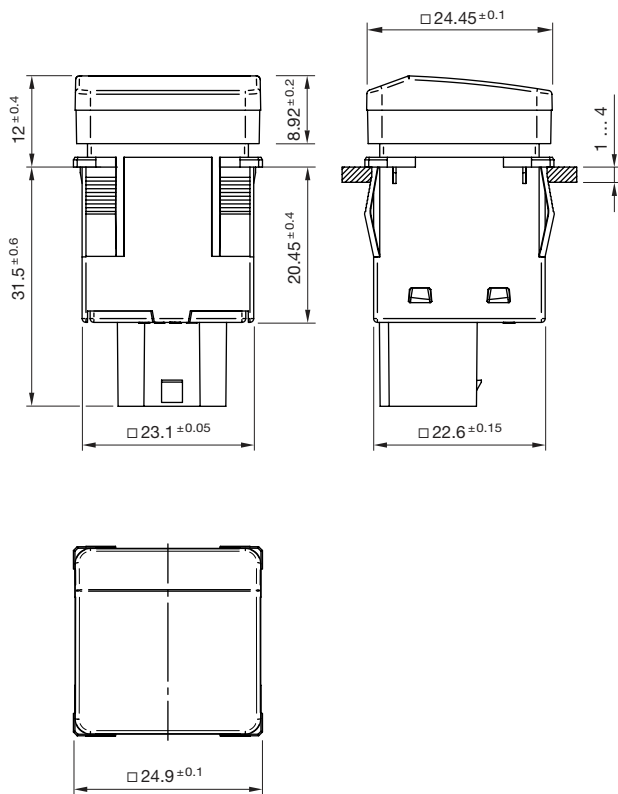
Protection degree

- up to IP5K4 front side (built into a panel)
- IP20 rear side



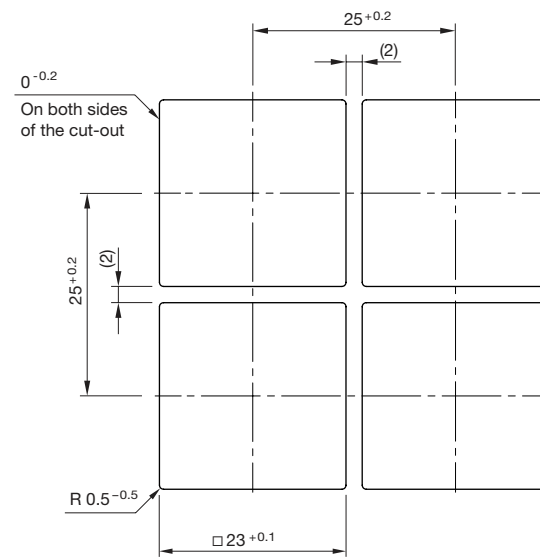
Dimensions

(All dimensions in mm)



Mounting cut-outs

(All dimensions in mm)



The switch can be mounted in front panel thicknesses between 2 and 4 mm. To guarantee stability and density, a plastic front panel with a material thickness of 3 mm is recommended.

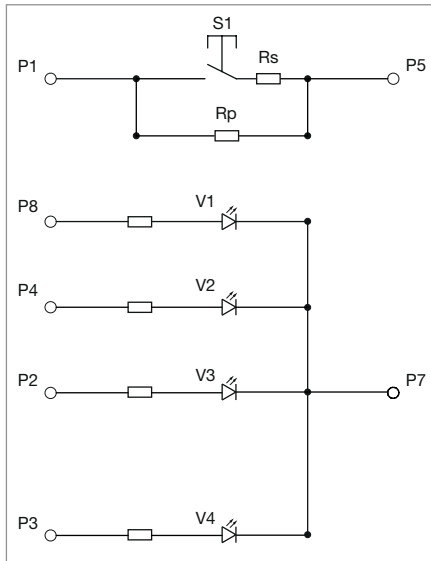
Further information is provided in the corresponding operating instructions at www.eao.com/09-universal-switch.



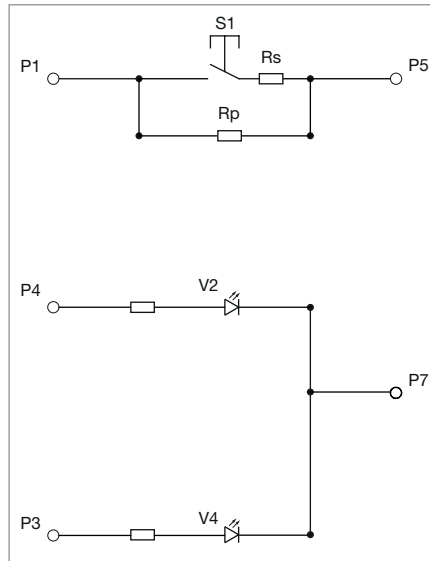
09 Universal Switch

Wiring diagram

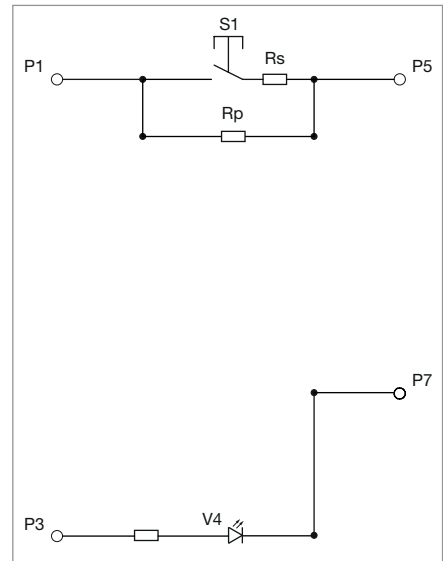
Standard (single contact) NO



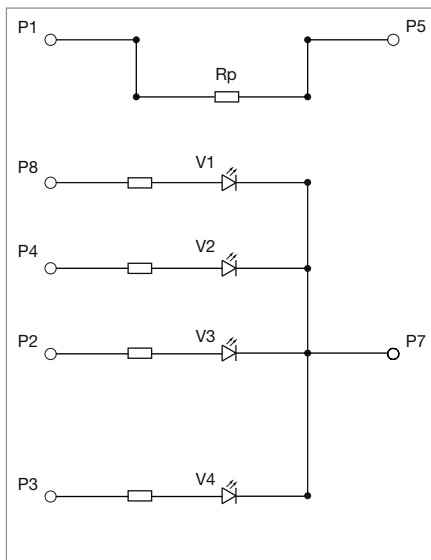
Three indicators,
backlight and switching element
with NAMUR circuit



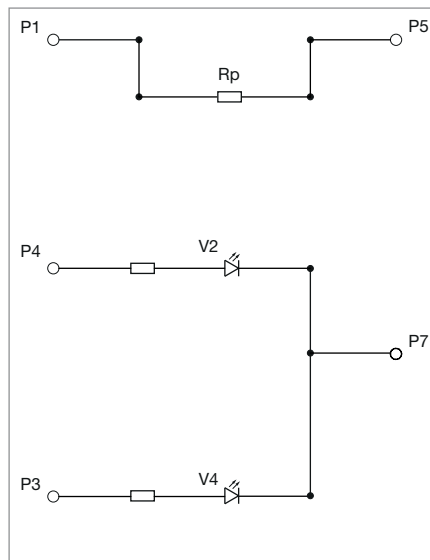
One indicator,
backlight and switching element
with NAMUR circuit



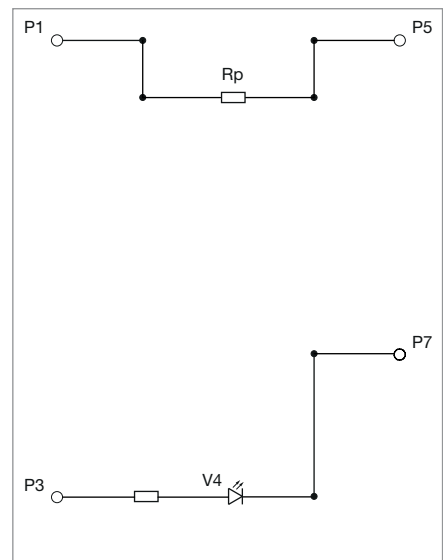
Backlight and switching element
with NAMUR circuit



Three indicators,
backlight with coding resistor



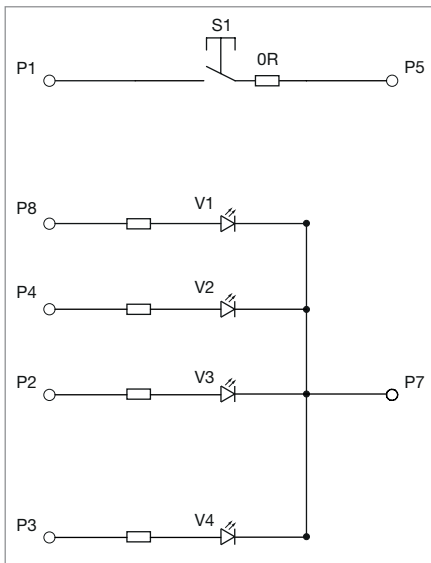
One indicator,
backlight with coding resistor



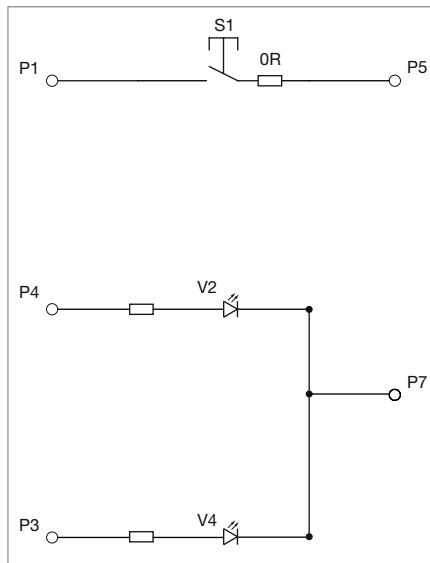
Backlight with coding resistor

Wiring diagram

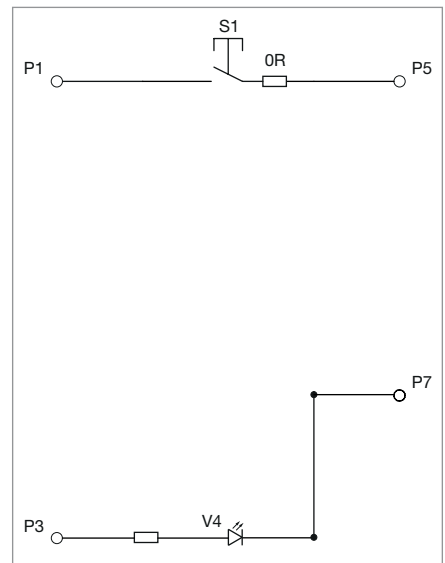
Standard (single contact) NO



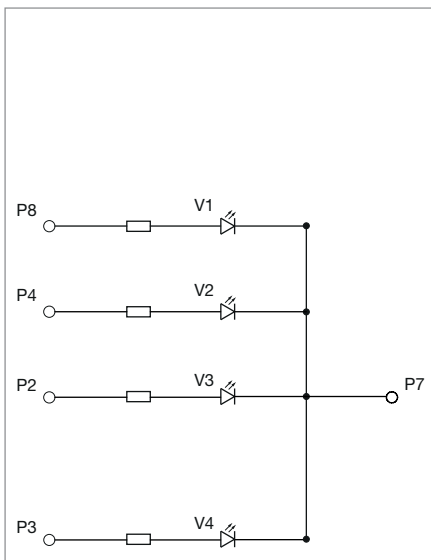
Three indicators, backlight and switching element standard



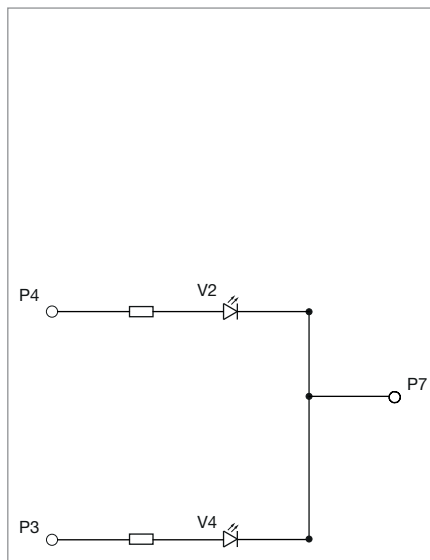
One indicator, backlight and switching element standard



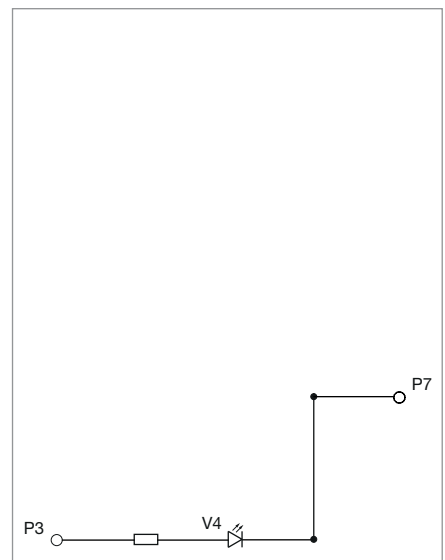
Backlight and switching element standard



Three indicators, backlight standard



One indicator, backlight standard



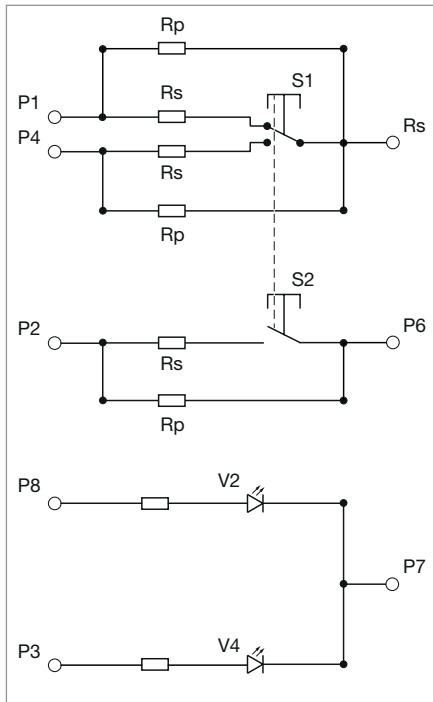
Backlight standard

- 01
- 02
- 03
- 04
- 09
- 14
- 17
- 18
- 19
- 22
- 31
- 41
- 45
- 51
- 56
- 57
- 61
- 70
- 71
- 82
- 84
- 92
- 96

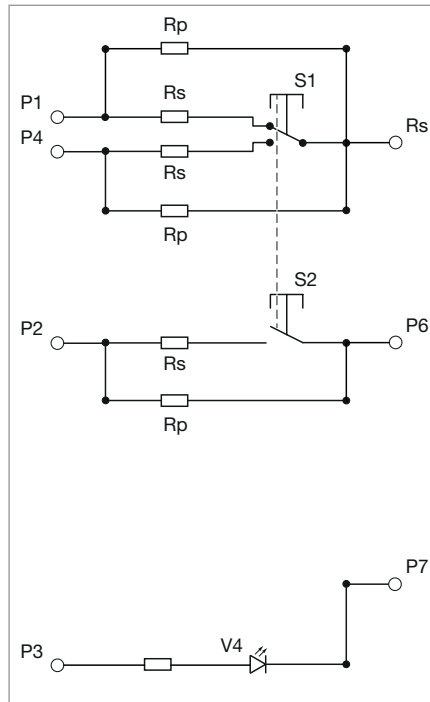
09 Universal Switch

Wiring diagram

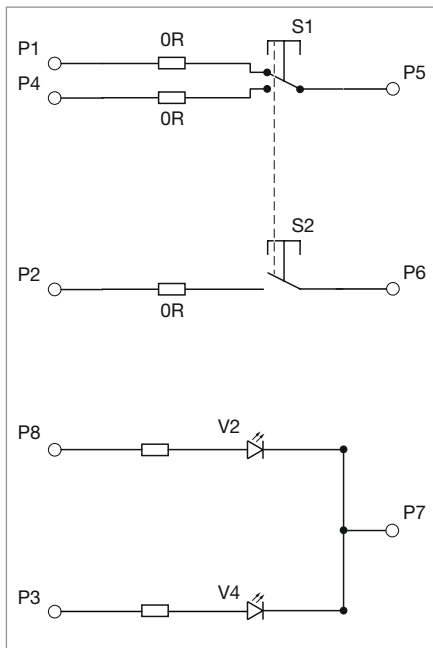
Dual contact NO/NC-NO



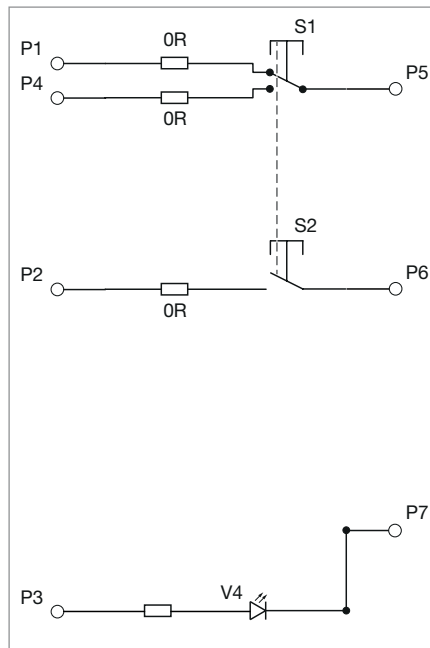
One indicator, backlight and switching elements with NAMUR circuit



Backlight and switching elements with NAMUR circuit



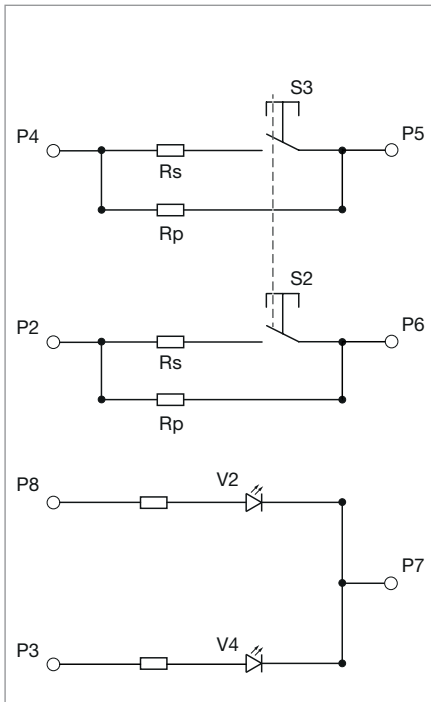
One indicator, backlight and switching elements without NAMUR circuit



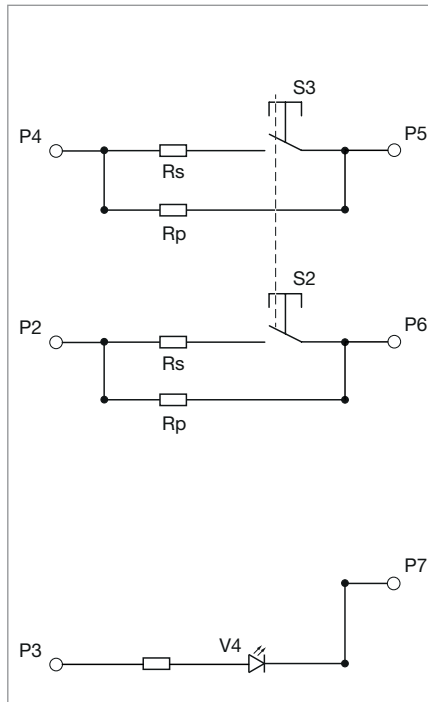
Backlight and switching elements without NAMUR circuit

Wiring diagram

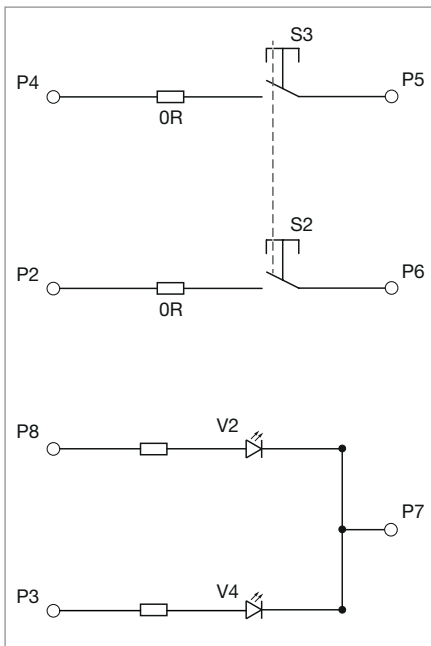
Dual contact NO/NO



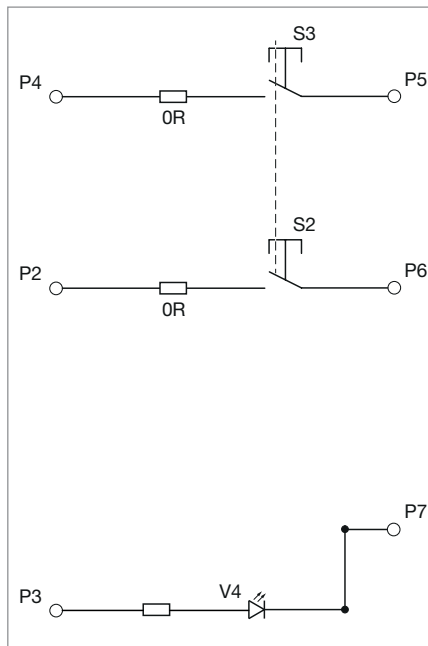
One indicator,
backlight and switching elements
with NAMUR circuit



Backlight and switching elements
with NAMUR circuit



One indicator,
backlight and switching elements
without NAMUR circuit

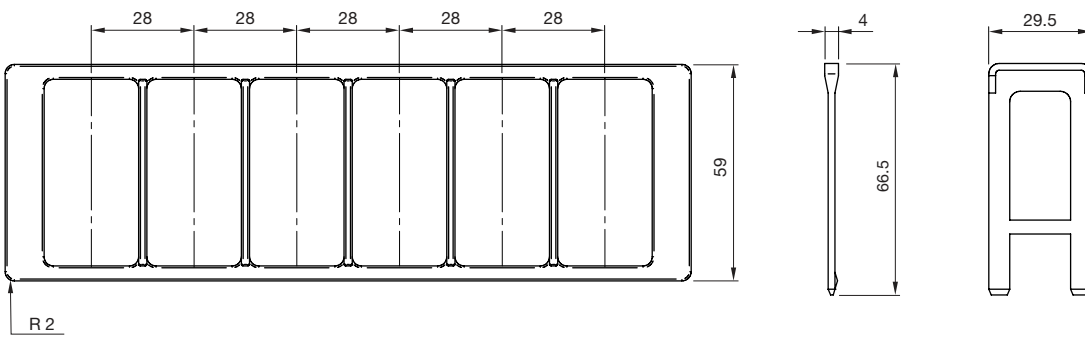
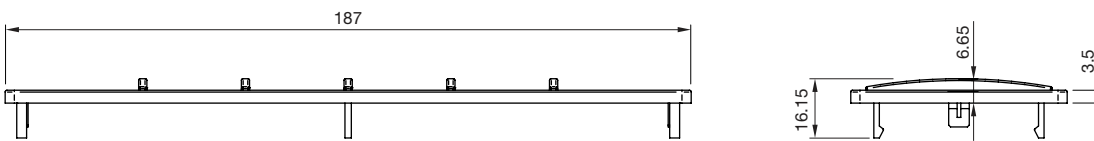
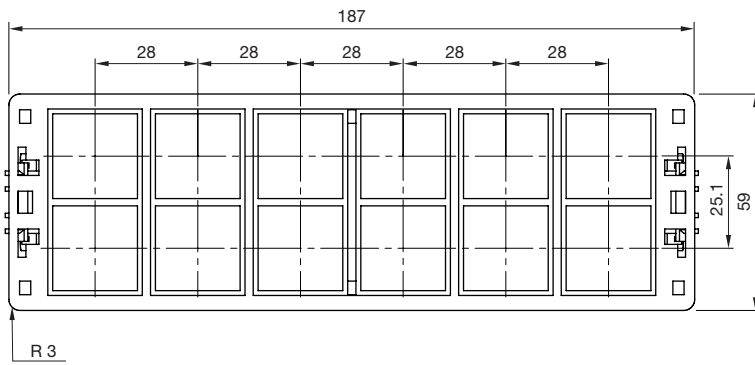
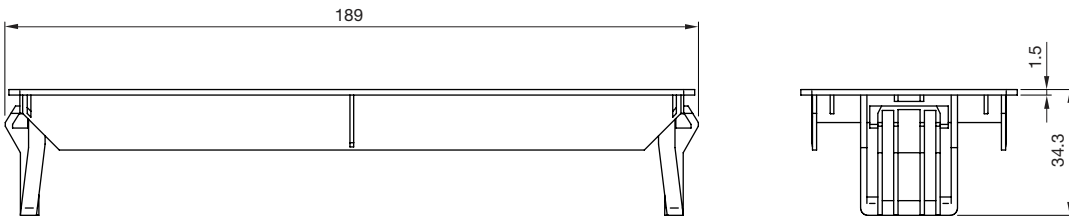
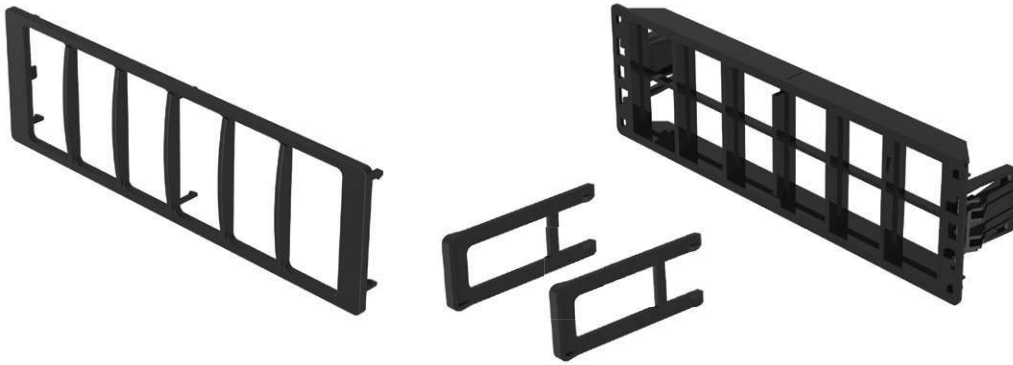


Backlight and switching elements
without NAMUR circuit

- 01
- 02
- 03
- 04
- 09**
- 14
- 17
- 18
- 19
- 22
- 31
- 41
- 45
- 51
- 56
- 57
- 61
- 70
- 71
- 82
- 84
- 92
- 96

09 Universal Switch

Radio slot frame



Joystick, 1 axis with square flange

Part No.
09-01.18214.0107

Mechanical characteristics

- Mounting
from front of panel, 4 screws
($\varnothing 3.5\text{mm}$)
- 1 axis
- No cross guidance
- No gate shape
- 20° deflection angle
- Handle "Winter"
- Resetting
self-resetting (medium resetting force)
- Breakout torque
Y-axis 0.18 Nm
- Operating torque
Y-axis 0.42 Nm
- Max. allowable torque
Y-axis 18 Nm

Electrical characteristics

- Operating voltage
5VDC
- Output signal
proportional ($-y = 0.5\text{V}$ /
Mid = 2.5V / $+y = 4.5\text{V}$)
- Redundancy
yes

Technology

- Hall effect sensors

Connections

- Minitek plug (8-pole)

Ambient conditions

- Operating temperature
 -30°C to $+80^\circ\text{C}$
- Storage temperature
 -40°C to $+85^\circ\text{C}$

Degree of protection

- IP65 front protection
- IP40 rear protection



Gate



Dimensions

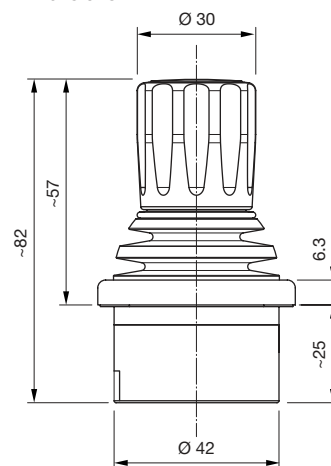
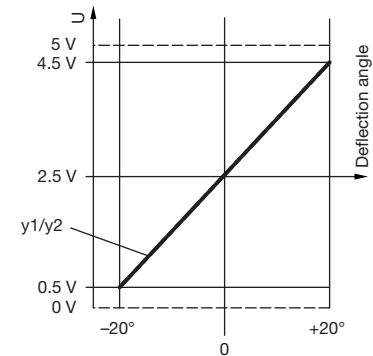
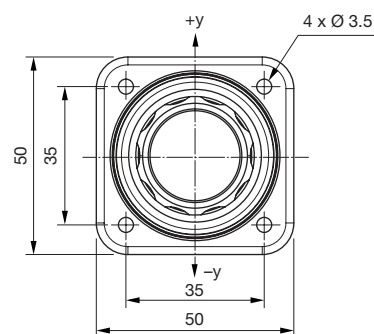


Diagram Y-axis



View from above



09 Joysticks

Joystick, 3 axes with square flange.

Part No.

09-01.32294.0109

Mechanical characteristics

- Mounting from front of panel, four screws ($\varnothing 3.5$ mm)
- 3 axes
- Soft cross guidance
- Gate shape square
- Deflection angle XY: $\pm 20^\circ$ / Z: $\pm 30^\circ$
- Handle "Winter twist"
- Resetting self-resetting (medium resetting force)
- Breakout torque X/Y-axis 0.18 Nm / Z-axis 0.075 Nm
- Operating torque X/Y-axis 0.42 Nm / Z-axis 0.18 Nm
- Max. allowable torque X/Y-axis 18 Nm / Z-axis 10 Nm

Electrical characteristics

- Operating voltage 5 VDC
- Output signal proportional ($-x/y/z = 0.5$ V / Mid = 2.5 V / $+x/y/z = 4.5$ V)
- Redundancy all axes

Technology

- Hall effect sensors

Connections

- Minitek plug (8-pole)

Ambient conditions

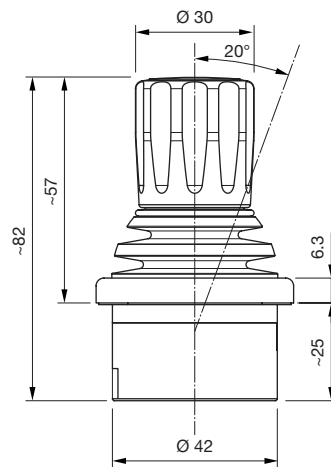
- Operating temperature -30°C to $+80^\circ\text{C}$
- Storage temperature -40°C to $+85^\circ\text{C}$

Degree of protection

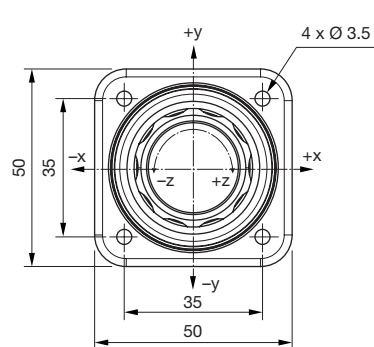
- IP65 front protection
- IP40 rear protection



Dimensions



View from above



Gate

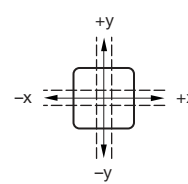


Diagram X-, Y-axis

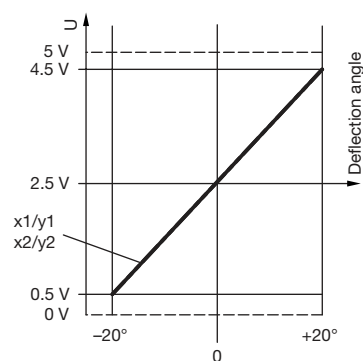
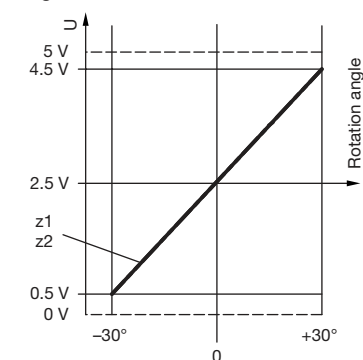


Diagram Z-axis



Joystick, small and beautiful

Part No.

09-01.22224.0128

Mechanical characteristics

- Mounting
from above, four screws (Ø 3.5mm)
- 2 axes
- Light cross guidance
- Gate shape square
- 20° deflection angle
- Handle "Nupsi"
- Resetting
self-resetting (medium resetting force)
- Breakout torque
X/Y-axis 0.18Nm
- Operating torque
X/Y-axis 0.42Nm
- Max. allowable torque
X/Y-axis 10Nm

Electrical characteristics

- Operating voltage
5VDC
- Output signal
proportional ($-x1/y1 = 0.5V$ /average = $2.5V$ / $+x1/y1 = 4.5V$) ($-x2/y2 = 4.5V$ /average = $2.5V$ / $+x2/y2 = 0.5V$)
- Redundancy
all axes

Technology

- Hall effect sensors

Connections

- Minitek plug (8-pole)

Ambient conditions

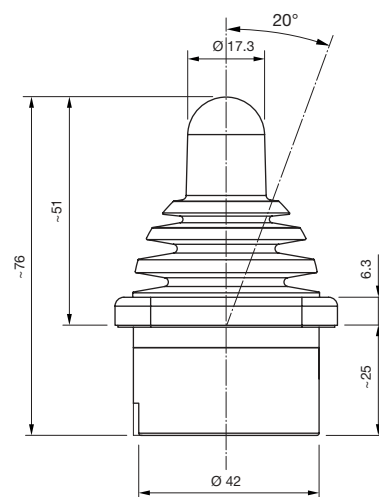
- Operating temperature
-30°C to +80°C
- Storage temperature
-40°C to +85°C

Degree of protection

- IP67 front protection
- IP40 rear protection



Dimensions



Gate

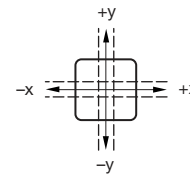
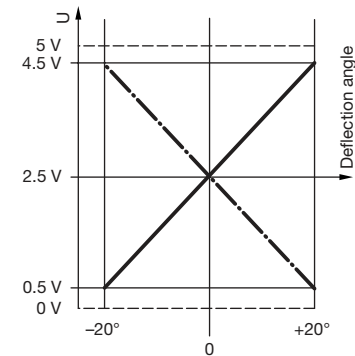
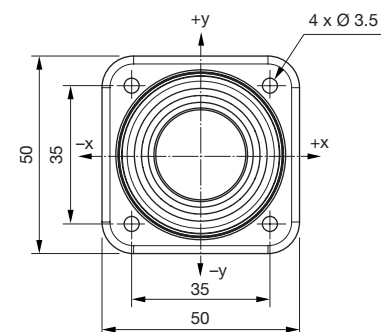


Diagram X-, Y-axis



View from above



09 Joysticks

Joystick, standard with round flange

Part No.

09-02.22244.1052

Mechanical characteristics

- Mounting
from rear of panel, 4 x M3 screws
- 2 axes
- Rigid cross guidance
- Gate shape square
- 20° deflection angle
- Handle "Standard"
- Resetting
self-resetting (medium resetting force)
- Breakout torque
X/Y-axis 0.16 Nm
- Operating torque
X/Y-axis 0.5 Nm
- Max. allowable torque
X/Y-axis 18 Nm

Electrical characteristics

- Operating voltage
max. 30VDC
- Output signal
proportional with centre tab at $\pm 1.75^\circ$,
switch point at $\pm 2.3^\circ$ (see diagram
X-, Y-axis)

Technology

- Conductive plastic with digital steps/
control segment 1-0-1

Connections

- Dubox plug (6- and 8-pole)

Ambient conditions

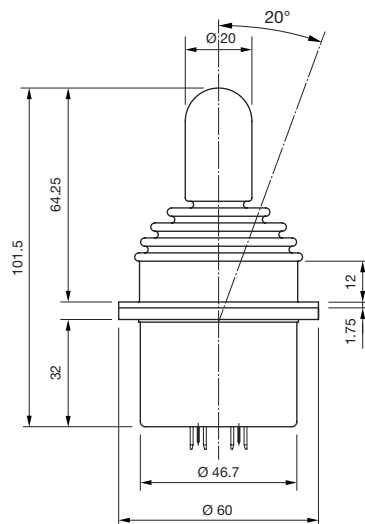
- Operating temperature
 -30°C to $+80^\circ\text{C}$
- Storage temperature
 -40°C to $+85^\circ\text{C}$

Degree of protection

- IP67 front protection
- IP40 rear protection



Dimensions



Gate

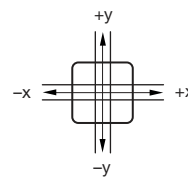
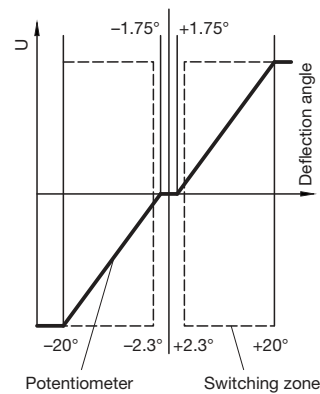
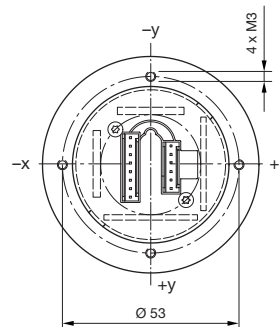


Diagram X-, Y-axis



Bottom view



Joystick, CAN with round flange

Part No.

09-03.23362.1051 (CANopen)

09-03.23363.1051 (J1939)

Mechanical characteristics

- Mounting
from rear of panel, 4 x M3 screws
- 2 axes
- Soft cross guidance
- Gate shape square
- 20° deflection angle
- Handle "Sleek"
with two integrated buttons (red)
- Resetting
self-resetting (strong resetting force)
- Breakout torque
X/Y-axis 0.19 Nm
- Operating torque
X/Y-axis 0.7 Nm
- Max. allowable torque
X/Y-axis 18 Nm

Electrical characteristics

- Operating voltage
8 to 36 VDC

Technology

- Hall effect sensors

Connections

- Dubox plug (4-pole)

Interfaces

- CANopen/J1939 interface

Ambient conditions

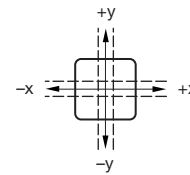
- Operating temperature
-30 °C to +80 °C
- Storage temperature
-40 °C to +85 °C

Degree of protection

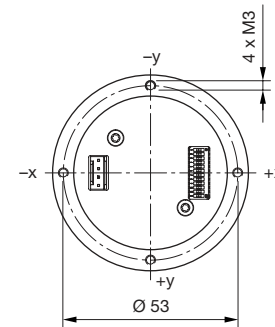
- IP64 front protection
- IP40 rear protection



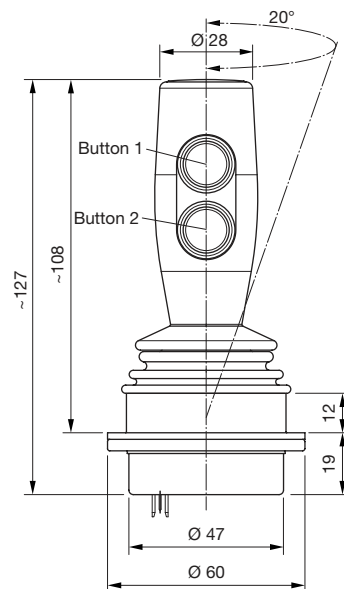
Gate



Bottom view



Dimensions



09 Joysticks

Joystick, CAN with 3 buttons and 1 cable

Applications

Especially well-suited to heavy duty and special vehicles.

Part No.

09-03.223A2.1114 (CANopen)
09-03.223A3.1114 (J1939)

Mechanical characteristics

- Mounting from below, 4 x M3 screws
- 2 axes
- Light cross guidance
- Gate shape square
- 15° deflection angle
- Handle "Kermit" with 3 integrated buttons (black)
- Resetting self-resetting (strong resetting force)
- Breakout torque X/Y-axis 0.63 Nm
- Operating torque X/Y-axis 1.16 Nm
- Max. allowable torque X/Y-axis 18 Nm

Electrical characteristics

- Operating voltage 8 to 36 VDC

Technology

- Hall effect sensors

Connections

- PVC cable, 4 x 0.34 mm² Molex Micro-Fit (4-pole)

Interfaces

- CANopen/ J1939 interface

Ambient conditions

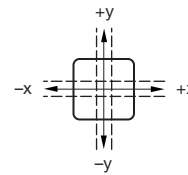
- Operating temperature -30 °C to +80 °C
- Storage temperature -40 °C to +85 °C

Degree of protection

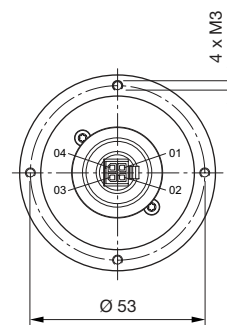
- IP65 front protection
- IP40 rear protection



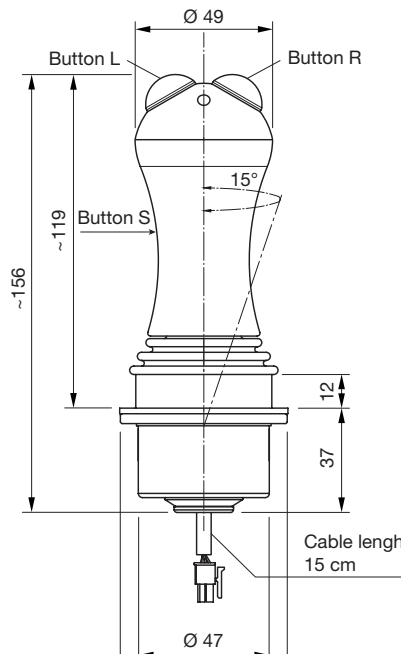
Gate



Bottom view



Dimensions



Joystick, 2 axes with 6 momentary positions each

Applications

Especially well-suited to wireless remote control systems.

Part No.

09-04.223E4.1112

Mechanical characteristics

- Mounting
from below, 4 x M3 screws
- 2 axes
- Soft cross guidance
- Gate shape square
- 20° deflection angle
- 6 momentary positions per axis
- Handle "Goblet Top" with button
- Resetting
self-resetting (strong resetting force)
- Breakout torque
X/Y-axis 0.19 Nm
- Operating torque
X/Y-axis 0.7 Nm
- Max. allowable torque
X/Y-axis 18 Nm

Electrical characteristics

- Operating voltage
max. 5 VDC/5 mA
- Output signal
switching point at $\pm 3.33^\circ$

Technology

- Digital grid/switching segment 3-1-3

Connections

- Dubox plug (2 and 8-pole)

Ambient conditions

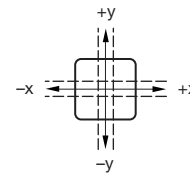
- Operating temperature
 -30°C to $+80^\circ\text{C}$
- Storage temperature
 -40°C to $+85^\circ\text{C}$

Degree of protection

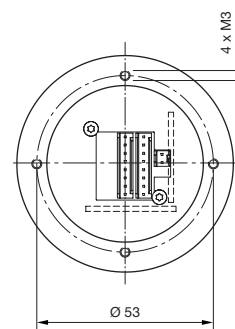
- IP65 front protection
- IP40 rear protection



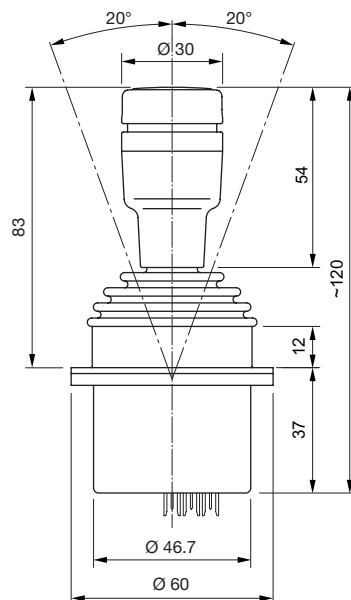
Gate



Bottom view



Dimensions



09 Joysticks

Joystick, drive lever with mechanical interlocking

Part No.

09-02.174C4.1113

Mechanical characteristics

- Mounting
from below, 4 x M3 screws
- 1 axis
- No cross guidance
- No gate shape
- 20° deflection angle
- Handle "Central Lock"
- Resetting
friction brake
- Unlocking force
22 N
- Breakout torque
0.456 Nm
- Operating torque
0.456 Nm
- Max. allowable torque
18 Nm

Electrical characteristics

- Operating voltage
max. 30VDC
- Output signal
proportional without centre tab

Technology

- Conductive plastic

Connection

- Dubox plug (3-pole)

Ambient conditions

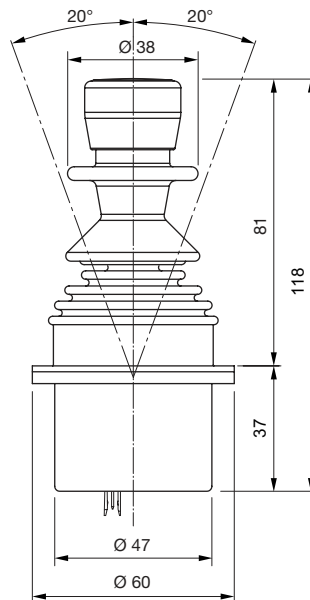
- Operating temperature
-30 °C to +80 °C
- Storage temperature
-40 °C to +85 °C

Degree of protection

- IP65 front protection
- IP40 rear protection



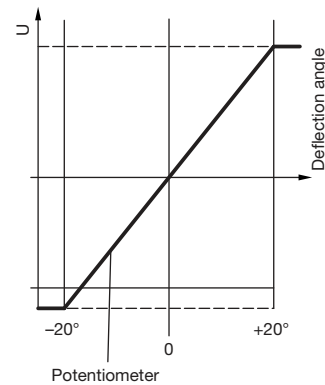
Dimensions



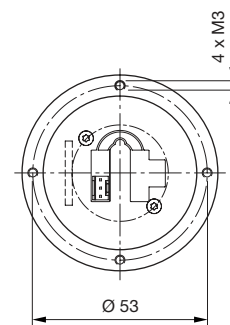
Gate



Diagram Y-axis



Bottom view



Joystick with handle and additional buttons.

Part No.

09-01.222Y2.0009

09-01.222Y3.0009

Mechanical characteristics

- Mounting
from below, 4 x \varnothing 5.5 screws
- 1 or 2 axes
- Soft cross guidance
- Gate shape round
- 24° deflection angle
- Multifunction handle with 3 buttons
- Resetting
self-resetting (strong resetting force)
- Breakout torque
0.5 Nm
- Max. allowable torque
60 Nm

Electrical characteristics

- Operating voltage
8 – 36 V
- Output signal
CANopen/J1939

Technology

- Hall effect sensors

Connections

- Deutsch DTM04-4P (4-pole)

Ambient conditions

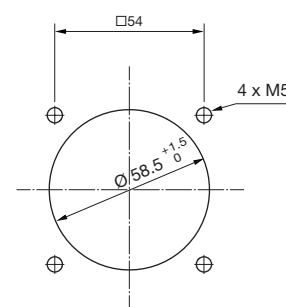
- Operating temperature
-30 °C to +80 °C
- Storage temperature
-40 °C to +85 °C

Protection degree

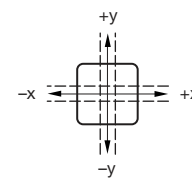
- IP65 front side



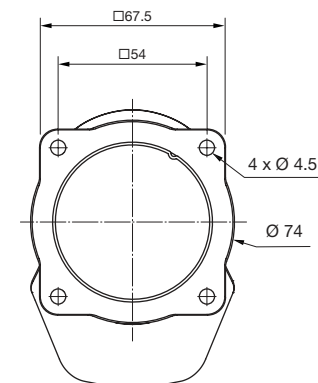
Mounting cut-out



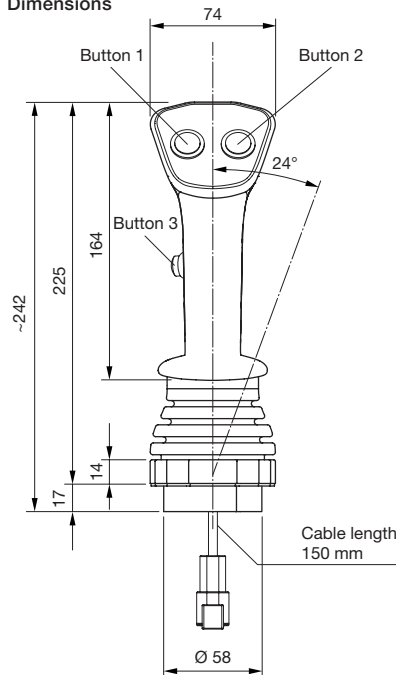
Gate



View from bottom



Dimensions



All dimensions in mm.

Fingertip joystick

Part No.

09-03.22204.0010

Mechanical characteristics

- Mounting
from below, 4 x Ø 2.7 screws
- 1 or 2 axes
- Soft or rigid guidance
- Gate shape round
- 25° deflection angle
- Handle "thumb tower"
- Resetting
self-resetting (medium resetting force)
- Operating torque
0.026 Nm
- Max. allowable torque
4 Nm

Electrical characteristics

- Operating voltage
5 VDC
- Output signal
0.5–4.5 V linear, redundant

Technology

- Hall effect sensors

Connections

- Connector JST EHR (6-Pol)
length 80 mm

Ambient conditions

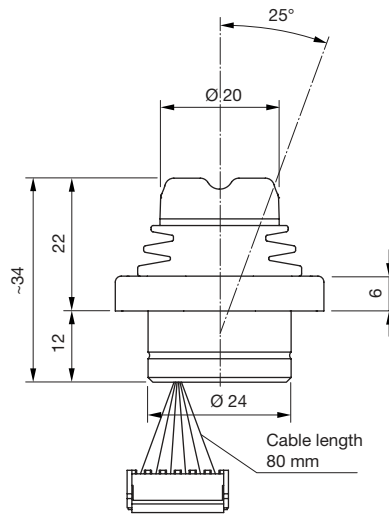
- Operating temperature
–30 °C to +80 °C
- Storage temperature
–40 °C to +85 °C

Protection degree

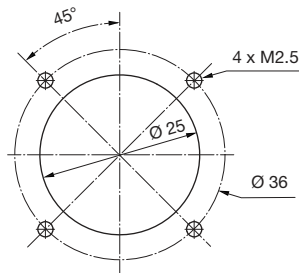
- IP65 front side



Dimensions



Mounting cut-out



Gate

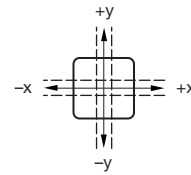
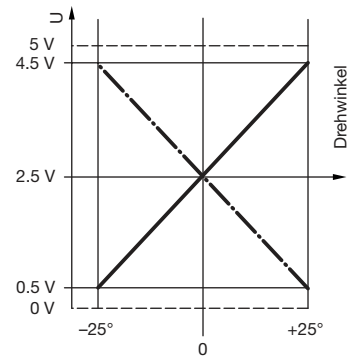
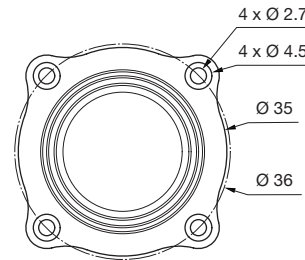


Diagram X-, Y-axis



View from bottom



All dimensions in mm.

Toggle stick, 4 directions with momentary position

Applications

The toggle stick (4 directions with momentary position, lock-able) is suitable for various applications.

Part No.

Please see Series 45

Mechanical characteristics

- Mounting
Ø 22.3 mm, raised
- 2 axes
- Rigid cross guidance
- 35° deflection angle
- Mechanical service life
up to 250 000 switching cycles
- Connection
screw terminal

Electrical characteristics

- Operating voltage
5 to 500 V
- Output signal
AC15: 6A/24 V to 1.4A/500 V
- Contact material
silver

Ambient conditions

- Operating temperature
-25 °C to +70 °C
- Storage temperature
-40 °C to +85 °C

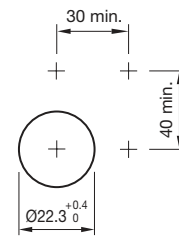
Degree of protection

- IP65, IP67 front protection
- IP20 or IP40 rear protection

Configure your product in a few steps at eao.com/products.

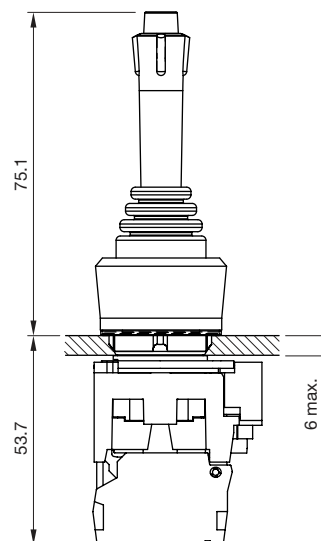


Mounting cut-outs



All dimensions in mm.

Dimensions



09 Joysticks

Lever switch, 8 positions

Applications

The lever switch (2, 4 or 8 positions) is suitable for various applications.

Part No.

44-800.2
44-800.4
44-800.8

Mechanical characteristics

- Mounting
Ø 22.3 mm, raised
- 2 axes
- Soft cross guidance, pulse
- 12° deflection angle
- Mechanical service life
up to 1.2 million switching cycles
- Connection
soldering terminal

Electrical characteristics

- Operating voltage
250 VAC
- Output signal
5A/4 NC + 4 NO
- Contact material
gold-plated silver alloy

Ambient conditions

- Operating temperature
-30 °C to +80 °C
- Storage temperature
-40 °C to +85 °C

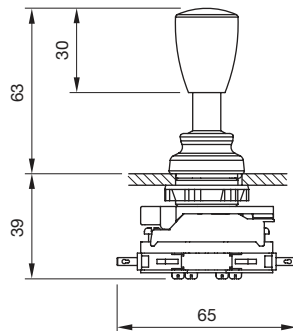
Degree of protection

- IP65 front protection
- IP20, IP40 rear protection

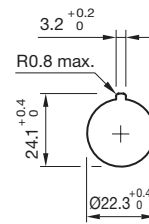
A choice of three lever switches can be found at eao.com/products.



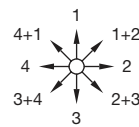
Dimensions



Mounting cut-outs



Wiring diagram



All dimensions in mm.

EAO Contact.

Your centre of excellence.

Headquarters

EAO Holding AG
Tannwaldstrasse 88
CH-4600 Olten
Telephone +41 62 286 92 00
info@eao.com

Manufacturing Companies

Switzerland
EAO AG
Tannwaldstrasse 88
CH-4600 Olten
Telephone +41 62 286 91 11
info@eao.com

EAO Systems AG
Tannwaldstrasse 88
CH-4600 Olten
Telephone +41 62 286 91 11
sales.esy@eao.com

China
EAO (Guangzhou) Ltd.
3/F, Block G4, South China
New Materials Innovation Park
31 Kefeng Road
Guangzhou Science City
CN-Guangzhou, PRC
Telephone +86 20 3229 0390
sales.ecn@eao.com

Germany
EAO Automotive GmbH & Co. KG
Richard-Wagner-Straße 3
DE-08209 Auerbach/Vogtland
Telephone +49 3744 8264 0
sales.esa@eao.com

North America
EAO Corporation
One Parrott Drive
Shelton
US-CT 06484
Telephone +1 203 951 4600
sales.eus@eao.com

Sales Companies

China
EAO (Guangzhou) Ltd.
3/F, Block G4, South China
New Materials Innovation Park
31 Kefeng Road
Guangzhou Science City
CN-Guangzhou, PRC
Telephone +86 20 3229 0390
sales.ecn@eao.com

EAO (Shanghai) Office
Rm.401, Lihpao Plaze,
NO.159 Shenwu Road,
Minhang District,
CN-Shanghai, 201106.
PRC
Telephone +86 21 6095 0717
sales.ecn@eao.com

France
EAO France SAS
27 rue Maurice Flandin
FR-69003 Lyon
Telefon +33 426 298 588
sales.efr@eao.com

**Germany, Austria, Czech Republic,
Poland, Slovakia**
EAO GmbH
Langenberger Straße 570
DE-45277 Essen
Telephone +49 201 8587 0
sales.ede@eao.com

Hong Kong (Asia Pacific)
EAO (Far East) Ltd.
Unit A1, 1/F, Block A
Tin On Industrial Building
777 Cheung Sha Wan Road
Lai Chi Kok, Kln
HK-Hong Kong
Telephone +852 27 86 91 41
sales.ehk@eao.com

Italy
EAO Italia S.r.l.
Centro Direzionale Summit –
Palazzo C1
Via Brescia 26
IT-20063 Cernusco sul Naviglio (MI)
Telephone +39 029 247 0722
sales.eit@eao.com

Japan
EAO Japan Co. Ltd.
Net 1 Mita Bldg. 3F
3-1-4 Mita Minato-ku
JP-Tokyo 108-0073
Telephone +81 3 5444 5411
sales.ejp@eao.com

Netherlands, Belgium
EAO Benelux B.V.
Kamerlingh Onnesweg 46
NL-3316 GL Dordrecht
Telephone +31 78 653 17 00
sales.enl@eao.com

North America
EAO Corporation
One Parrott Drive
Shelton
US-CT 06484
Telephone +1 203 951 4600
sales.eus@eao.com

Switzerland
EAO Schweiz AG
Tannwaldstrasse 86
CH-4600 Olten
Telephone +41 62 286 95 00
sales.ech@eao.com

**United Kingdom, Denmark,
Finland, Ireland, Norway, Sweden**
EAO Ltd.
Highland House
Albert Drive
Burgess Hill
GB-West Sussex RH15 9TN
Telephone +44 1444 236 000
sales.euk@eao.com