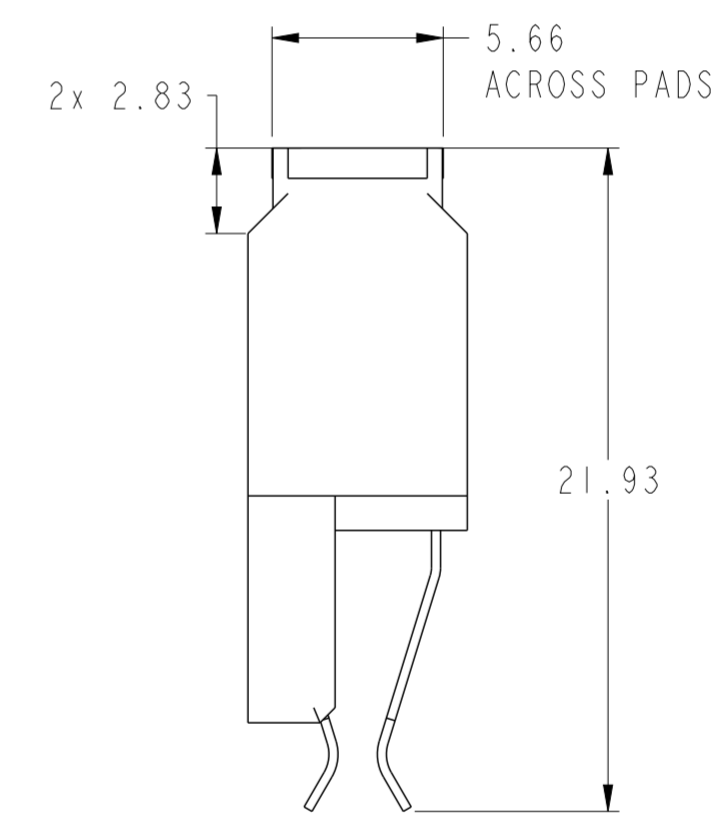
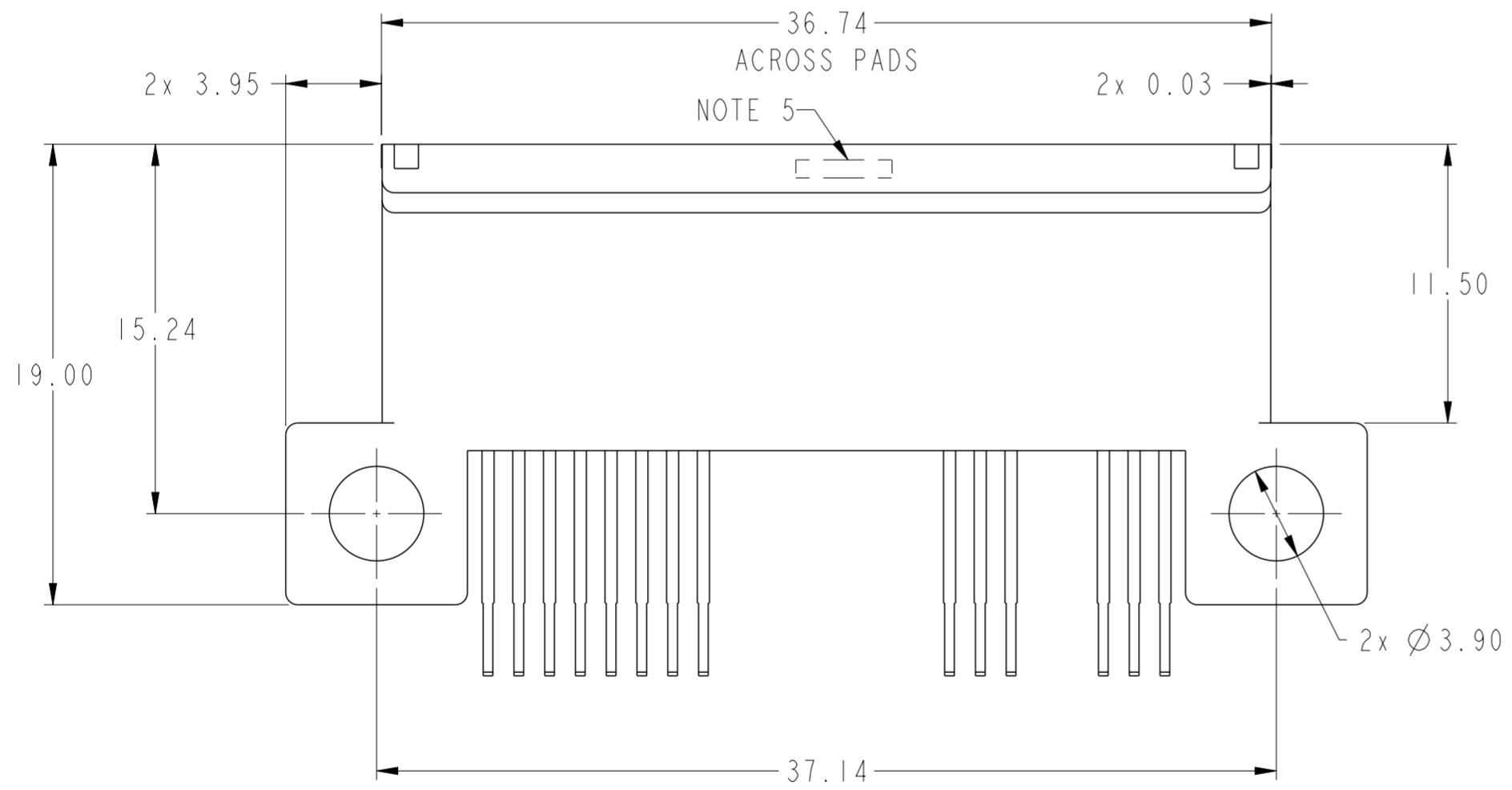


SECTION A-A



Amphenol
FCi

© 2016 AFci

spec ref	-	dr	Julia Wang	2013/11/29	projection	MM	size	A2	scale	4:1	
tolerance std	ISO 406	eng	Sunny2 Liu	2016/05/09			ecn no	ELX-DG-24036-1	rel level Released	rev B	
TOLERANCES UNLESS OTHERWISE SPECIFIED		chr	Terris Liu	2016/05/20			product family	CARD EDGE			rel level
surface	ISO 1302	appr	Pei-Ming Zheng	2016/05/24			SMT ENHANCED WALLS 46S (18S OMITTED) SPECIAL				cat. no.
		linear	0.X	±0.5	Amphenol FCI						
			0.XX	±0.25							
			0.XXX	±0.10							
		angular	0°	±2°							

PDS: Rev :B

STATUS:Released

Printed: May 24, 2016

A

B

C

D

E

F

A

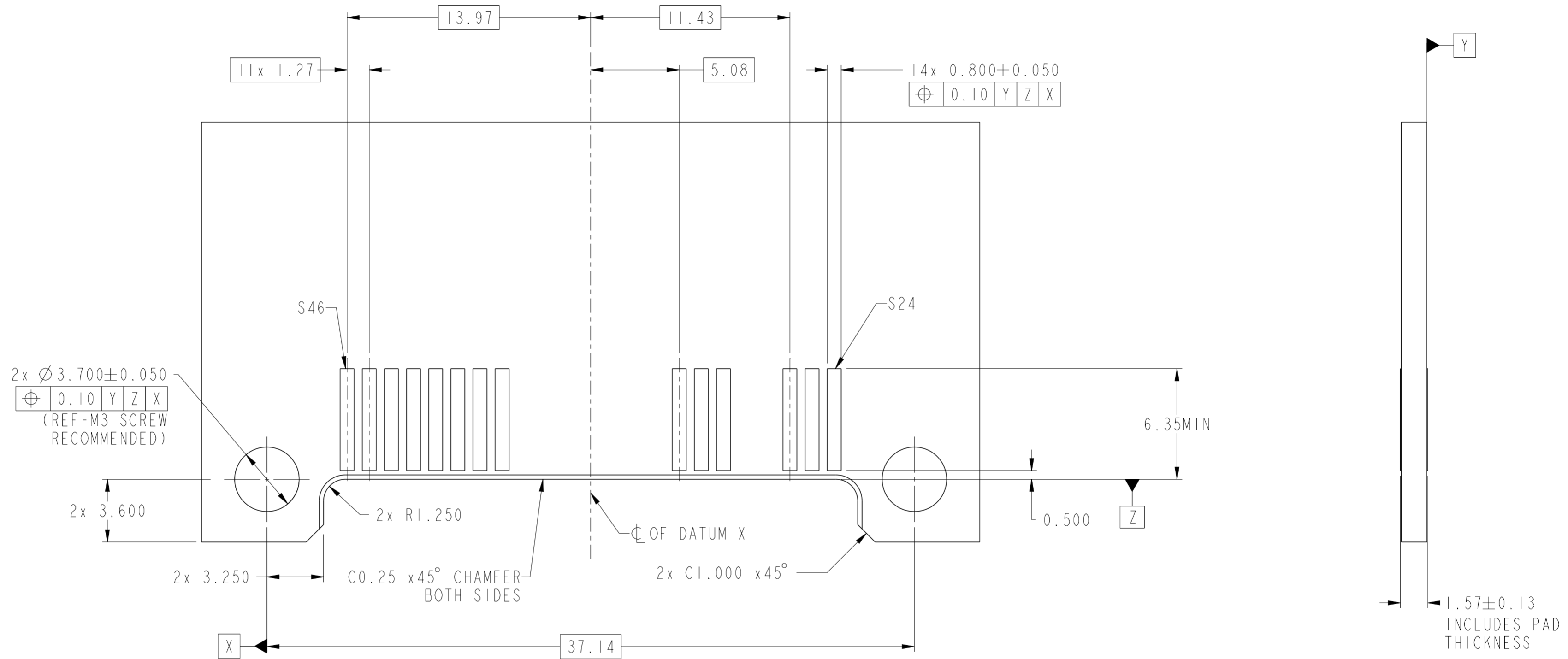
B

C

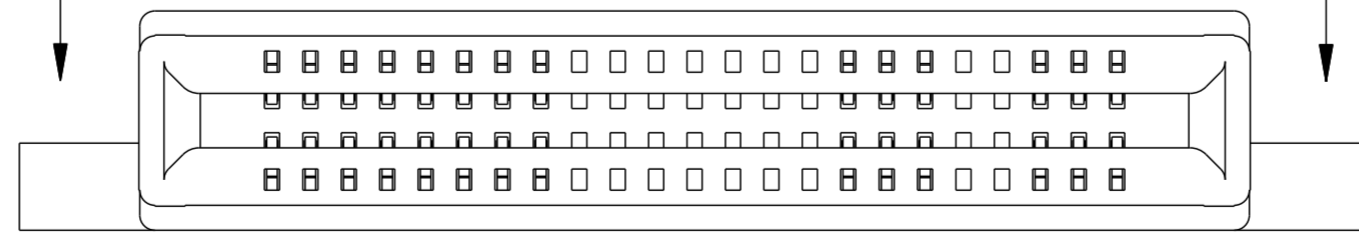
D

E

F



RECOMMENDED HOST BOARD LAYOUT AS VIEWED



spec ref	-	dr	Julia Wang	2013/11/29	projection	MM	size	A2	scale	4:1			
tolerance std	ISO 406	eng	Sunny2 Liu	2016/05/09		CARD EDGE	ecn no	ELX-DG-24036-1	rel level	Released			
surface	ISO 1302	chr	Terris Liu	2016/05/20			product family	SMT ENHANCED WALLS		divg no	10128286	rev	B
		appr	Pai-Ming Zheng	2016/05/24									
TOLERANCES UNLESS OTHERWISE SPECIFIED		Amphenol FCI		cat. no.		Product - Customer Drw		sheet 2 of 4					

A

B

C

D

E

F

A

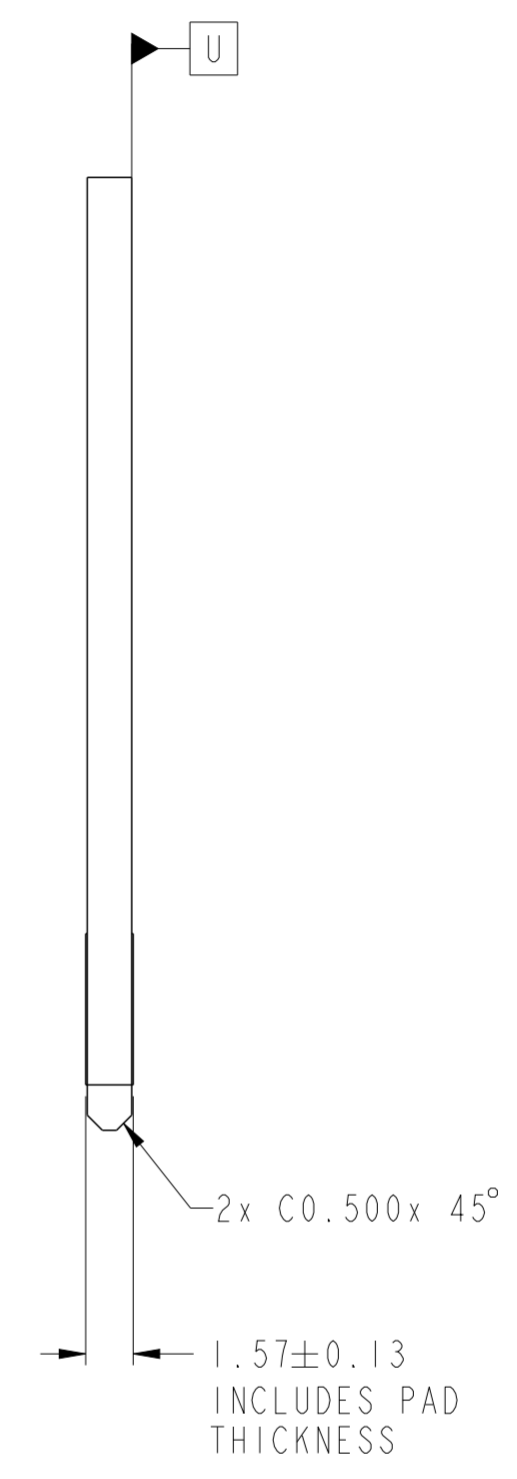
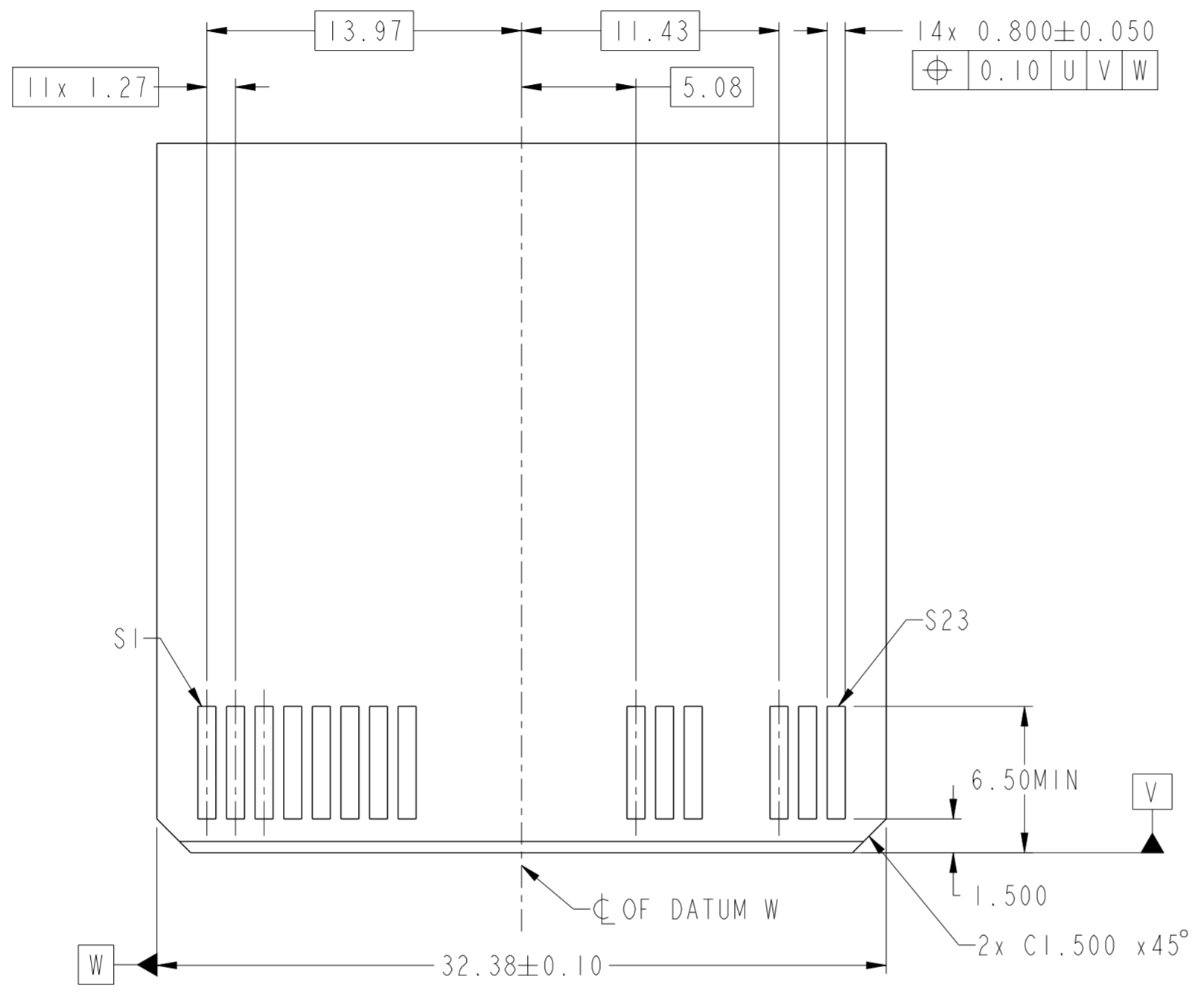
B

C

D

E

F



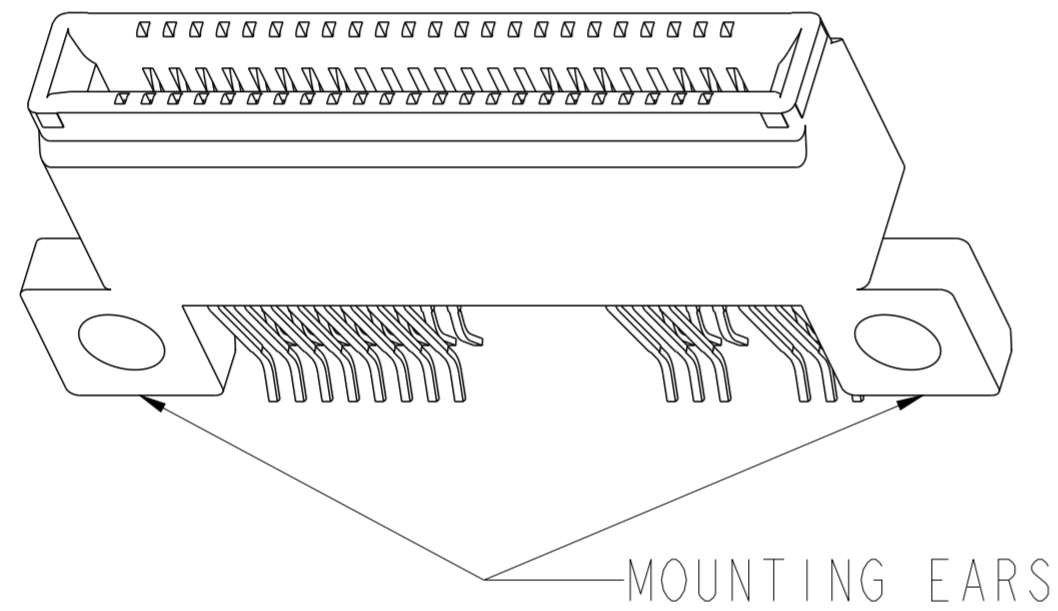
RECOMMENDED MATING BOARD FOOTPRINT

Amphenol FCI

© 2016 AFCI

spec ref	-	dr	Julia Wang	2013/11/29	projection	MM	size	A2	scale	4:1	
tolerance std	ISO 406	eng	Sunny2 Liu	2016/05/09			ecn no	ELX-DG-24036-1			
TOLERANCES UNLESS OTHERWISE SPECIFIED		chr	Terris Liu	2016/05/20			rel level	Released			
surface	ISO 1302	appr	Pei-Ming Zheng	2016/05/24	product family	-	cat. no.	SMT ENHANCED WALLS		rev	B
linear	0.X ±0.5	Amphenol FCI		46S (18S OMITTED) SPECIAL		dwg no	10128286		Product - Customer Drw		sheet 3 of 4
angular	0° ±2°	PDS: Rev :B		STATUS:Released		Printed: May 24, 2016					

PART NUMBER	MOUNTING EARS
10128286-001LF	YES
10128286-002LF	NO



Example: 10128286-001LF

NOTES:

- CONNECTOR MATERIALS:
 HOUSING: HIGH TEMPERATURE THERMAL PLASTIC, BLACK
 UL 94V-0 COMPLIANT
 CONTACTS: HIGH PERFORMANCE COPPER ALLOY.
- CONTACT FINISH REF. GS-12-604 SECTION 5.2.
- PRODUCT SPECIFICATION: GS-12-604.
- APPLICATION SPECIFICATION: GS-20-128.
- B** (5) PRODUCT MARKING ON HOUSING IN AREA SHOWN MEETS AFCI SPECIFICATION: GS-24-007.
- PACKAGING MEETS FCI SPECIFICATION GS-14-937.
- HOUSING COMPONENT WILL WITHSTAND EXPOSURE TO 260°C PEAK TEMPERATURE FOR 60 SECONDS IN A CONVECTION, INFRA-RED, OR VAPOR PHASE REFLOW OVEN.
- A SYMBOL **B** WILL BE NEXT TO ANY DIMENSION, VIEW, OR NOTE WHICH HAS BEEN MODIFIED WITH THE CURRENT DRAWING REVISION.

spec ref	-	dr	Julia Wang	2013/1/29	projection	MM	size	A2	scale	4:1	
tolerance std	ISO 406	eng	Sunny2 Liu	2016/05/09			ecn no	ELX-DG-24036-1			
TOLERANCES UNLESS OTHERWISE SPECIFIED		chr	Terris Liu	2016/05/20			product family	CARD EDGE	rel level	Released	
surface	ISO 1302	appr	Pei-Ming Zheng	2016/05/24	Amphenol FCI		title	SMT ENHANCED WALLS	diag no	10128286	
	linear	0.X	±0.5				46S (18S OMITTED) SPECIAL			rev	B
		0.XX	±0.25								
		0.XXX	±0.10								
	angular	0°	±2°				cat. no.	-	Product - Customer Drw	sheet 4 of 4	

PDS: Rev :B

STATUS:Released

Printed: May 24, 2016