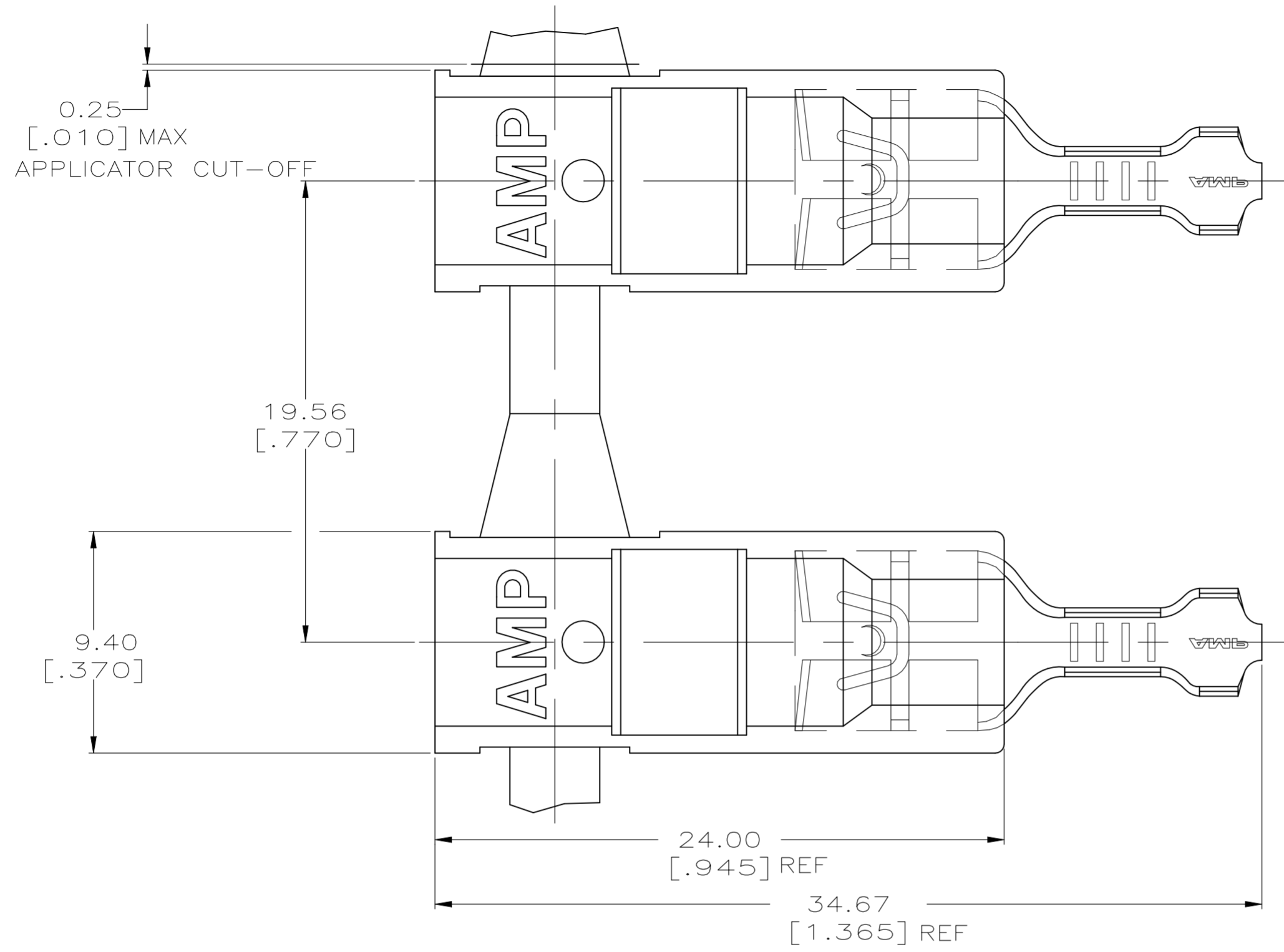
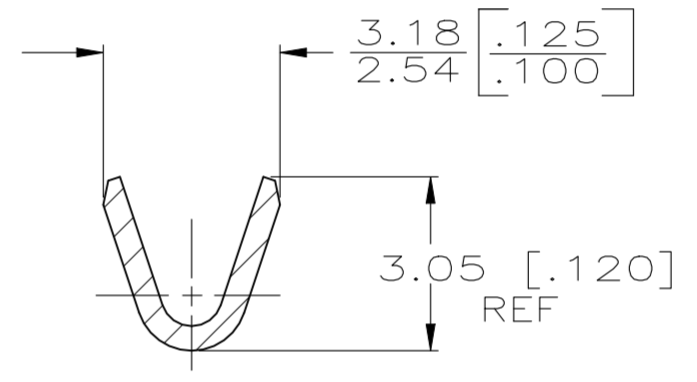


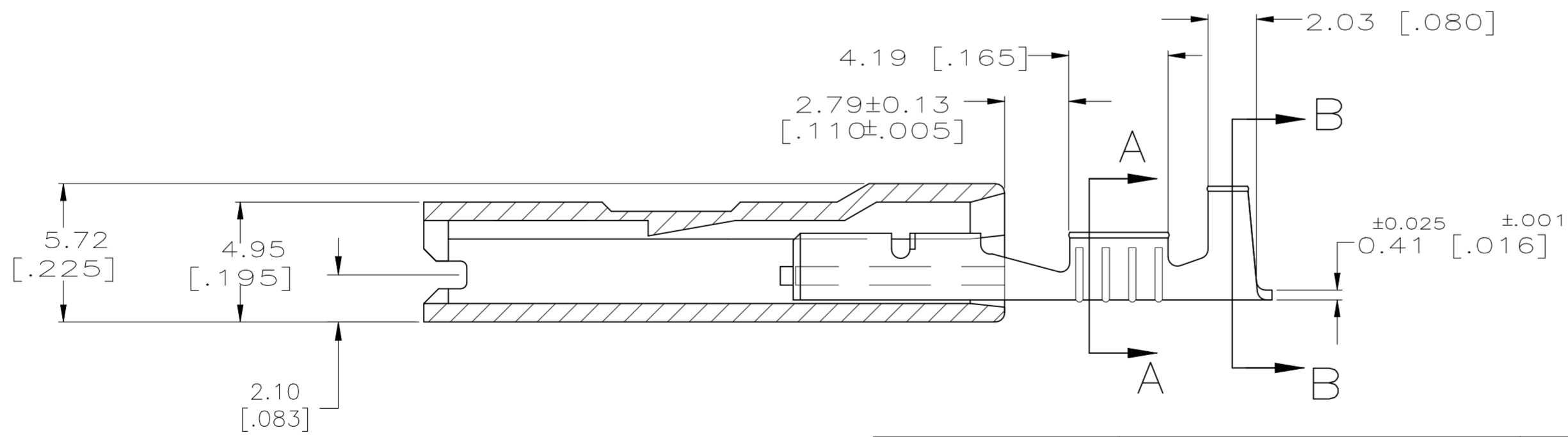
| REVISIONS |     |                           |           |     |      |
|-----------|-----|---------------------------|-----------|-----|------|
| P         | LTR | DESCRIPTION               | DATE      | DWN | APVD |
| A3        |     | REVISED PER ECR-22-160893 | 15DEC2022 | DB  | BW   |



1 LOW-INSERTION FASTON TERMINALS, BASE PART NUMBER 63609, ARE USED IN THIS PRODUCT.



SECTION A-A  
SCALE 8:1



SECTION B-B  
SCALE 8:1

|                 |                       |                                 |                               |          |
|-----------------|-----------------------|---------------------------------|-------------------------------|----------|
| TIN PLATE PLAIN | 2.29-3.30 [.090-.130] | 0.3-0.8 mm <sup>2</sup> [22-18] | 0.81 [.032]                   | 521368-2 |
| TERMINAL FINISH | INSULATION RANGE      | WIRE SIZE                       | MATING TAB THK ±0.025 [±.001] | 521368-1 |
|                 |                       |                                 |                               | PART NO  |

|  |   |  |                        |                    |     |       |     |       |               |       |     |       |     |        |
|--|---|--|------------------------|--------------------|-----|-------|-----|-------|---------------|-------|-----|-------|-----|--------|
| THIS DRAWING IS A CONTROLLED DOCUMENT.   |   | DWN<br>JR RUTH<br>15JAN01                      |                        | TE Connectivity    |     |       |     |       |               |       |     |       |     |        |
| DIMENSIONS:<br>mm [INCHES]   |   | CHK<br>MS FEHER<br>15JAN01                     |                        |                    |     |       |     |       |               |       |     |       |     |        |
| TOLERANCES UNLESS OTHERWISE SPECIFIED:   |   | APVD<br>J HUMMEL<br>15JAN01                    |                        |                    |     |       |     |       |               |       |     |       |     |        |
| <table border="1"> <tr><td>0 PLC</td><td>± -</td></tr> <tr><td>1 PLC</td><td>± -</td></tr> <tr><td>2 PLC</td><td>± 0.25 [.010]</td></tr> <tr><td>3 PLC</td><td>± -</td></tr> <tr><td>4 PLC</td><td>± -</td></tr> <tr><td>ANGLES</td><td>± -</td></tr> </table> |   | 0 PLC  |                        |                    | ± - | 1 PLC | ± - | 2 PLC | ± 0.25 [.010] | 3 PLC | ± - | 4 PLC | ± - | ANGLES |
| 0 PLC  | ± -   |  |                        |                    |     |       |     |       |               |       |     |       |     |        |
| 1 PLC  | ± -   |  |                        |                    |     |       |     |       |               |       |     |       |     |        |
| 2 PLC  | ± 0.25 [.010]                                       |  |                        |                    |     |       |     |       |               |       |     |       |     |        |
| 3 PLC  | ± -   |  |                        |                    |     |       |     |       |               |       |     |       |     |        |
| 4 PLC  | ± -   |  |                        |                    |     |       |     |       |               |       |     |       |     |        |
| ANGLES   | ± -   |  |                        |                    |     |       |     |       |               |       |     |       |     |        |
| MATERIAL<br>TERMINAL - BRASS<br>HOUSING - 6/6 VO NYLON   | FINISH<br>TERMINAL - SEE TABLE<br>HOUSING - NATURAL | PRODUCT SPEC<br>114-2124<br>WEIGHT<br>0.000000 | SIZE<br>A2             | CAGE CODE<br>00779 |     |       |     |       |               |       |     |       |     |        |
| CUSTOMER DRAWING   |   |  | DRAWING NO<br>C=521368 | RESTRICTED TO<br>- |     |       |     |       |               |       |     |       |     |        |
|  |   |  | SCALE<br>5:1           | SHEET<br>1 OF 1    |     |       |     |       |               |       |     |       |     |        |
|  |   |  | REV<br>A3              |                    |     |       |     |       |               |       |     |       |     |        |