

# 19" Rack Mount Brush Seal Kits

**PANDUIT**<sup>®</sup>

SPECIFICATION SHEET

## specifications

Unused rack openings shall have 19" rack mount brush seal kits installed to reduce bypass airflow through open spaces in racks and cabinets. Brush seal kits allow front to back cable management while maintaining thermal seal. Brush seals shall be designed of metallic material and contain (4) M6 Phillips screws, (4) M6 cage nut, and (4) #12-24 screws for tapped E-rail mounting. Panels shall be available in 1 RU or 2 RU sizes to enable the blanking of multiple rack unit configurations.



1 RU Panel



2 RU Panel

### Brush Seals

**1 RU x 19"**  
**(483mm) width**

**Black:** BR1B

**2 RU x 19"**  
**(483mm) width**

**Black:** BR2B

## technical information

**Standards:** 19.00" (483mm) width meets CEA-310-E standards

**RoHS compliance:** Yes

**Compatibility:** Each blank panel has a hardware kit which contains (4) M6 Phillips screws and (4) M6 cage nut, (4) #12-24 screws for tapped E-rail mounting.

**Material (color):** Black powder coat using RAL 9005.

## key features and benefits

<b>Cold rolled steel material</b>	Installs easily with Phillips screwdriver improving productivity
<b>Ease of cable passthrough</b>	Allows front to back cable management within a rack unit
<b>More effective cable management</b>	Brush dam seals air while maintaining effective cable pass-through
<b>Minimize thermal bypass</b>	Prevents air recirculation within cabinet
<b>Two sizes for horizontal or vertical applications</b>	1 RU or 2 RU sizes can blank out multiple rack unit configurations enabling installer to select appropriate sizes

## applications

The 19" rack mount brush seal kits are part of the energy-saving airflow management solutions for smart data centers. They are designed to minimize bypass airflow in racks and cabinets while providing a desirable appearance. The 19" rack mount brush

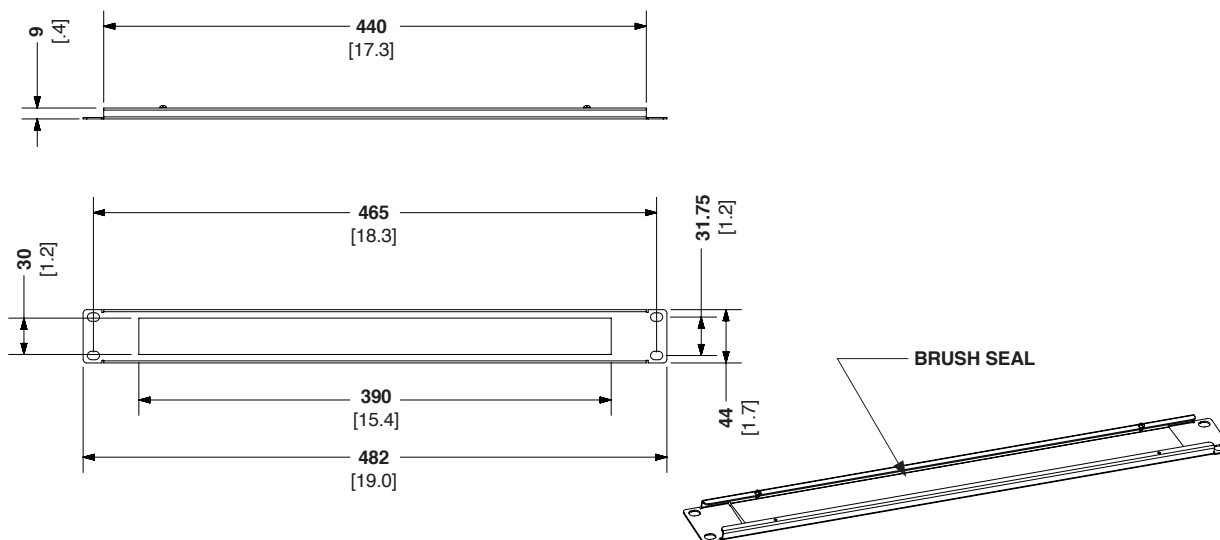
seal has design features that help to speed installation and is part of the complete range of cooling accessories available from Panduit to help maximize management and control of the physical infrastructure.

# 19" Rack Mount Brush Seal Kits

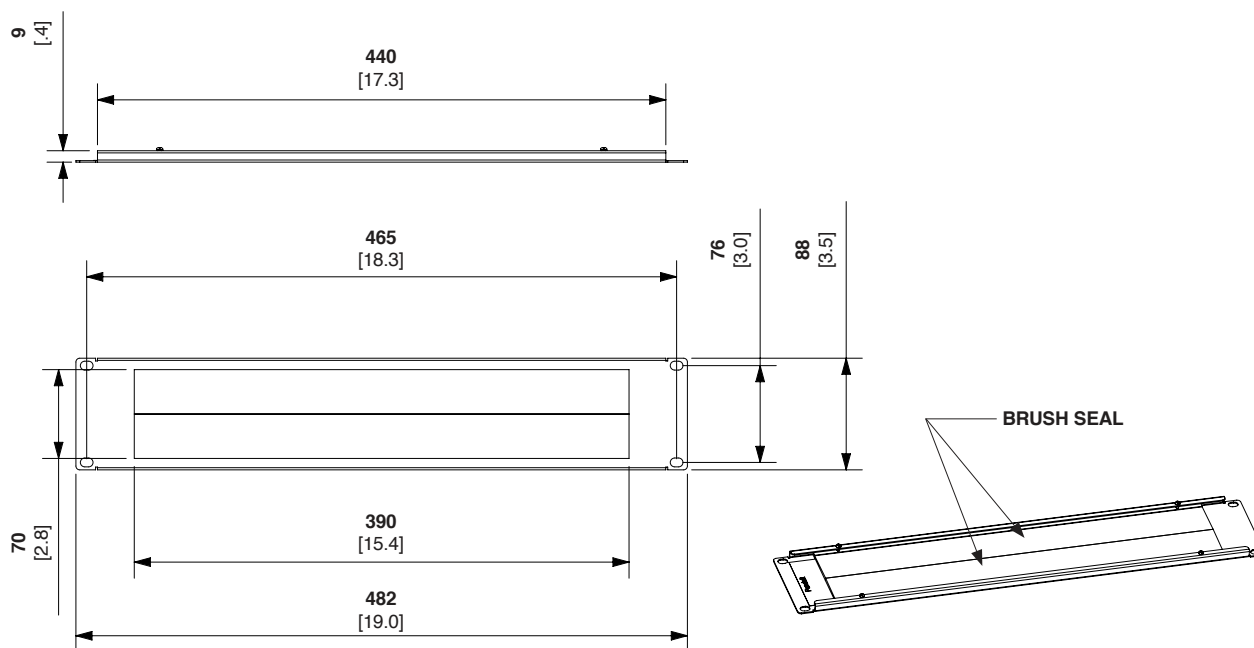
## Ordering Information

Black Part Numbers	Rack Unit(s)	Hardware	Std. Pkg. Qty.
BR1B	1RU	Contains (4) M6 Phillips screws and (4) M6 cage nut, (4) #12-24	1
BR2B	2RU	Screws for tapped E-rail mounting.	1

### 1 RU Panel



### 2 RU Panel



Dimensions are in metric. [Dimensions in brackets are inches.]

#### WORLDWIDE SUBSIDIARIES AND SALES OFFICES

PANDUIT US/CANADA  
Phone: 800.777.3300

PANDUIT EUROPE LTD.  
London, UK  
cs-emea@panduit.com  
Phone: 44.20.8601.7200

PANDUIT SINGAPORE PTE. LTD.  
Republic of Singapore  
cs-ap@panduit.com  
Phone: 65.6305.7575

PANDUIT JAPAN  
Tokyo, Japan  
cs-japan@panduit.com  
Phone: 81.3.6863.6000

PANDUIT LATIN AMERICA  
Guadalajara, Mexico  
cs-la@panduit.com  
Phone: 52.33.3777.6000

PANDUIT AUSTRALIA PTY. LTD.  
Victoria, Australia  
cs-aus@panduit.com  
Phone: 61.3.9794.9020

For a copy of Panduit product warranties, log on to [www.panduit.com/warranty](http://www.panduit.com/warranty)

For more information

Visit us at [www.panduit.com](http://www.panduit.com)

Contact Customer Service by email: [cs@panduit.com](mailto:cs@panduit.com)  
or by phone: 800-777-3300

**PANDUIT**<sup>®</sup>

©2018 Panduit Corp.  
ALL RIGHTS RESERVED.  
RKSP177--WW-ENG  
4/2018