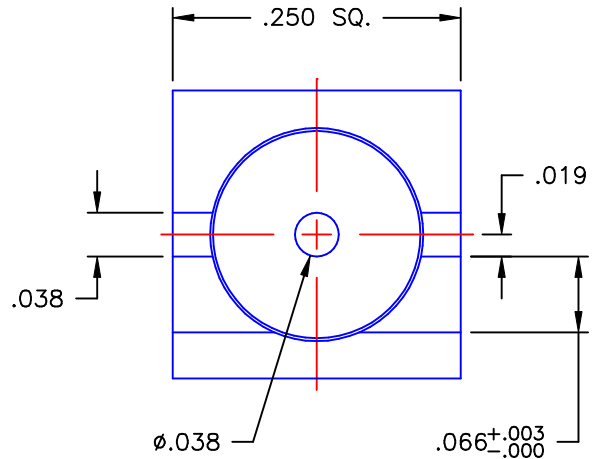
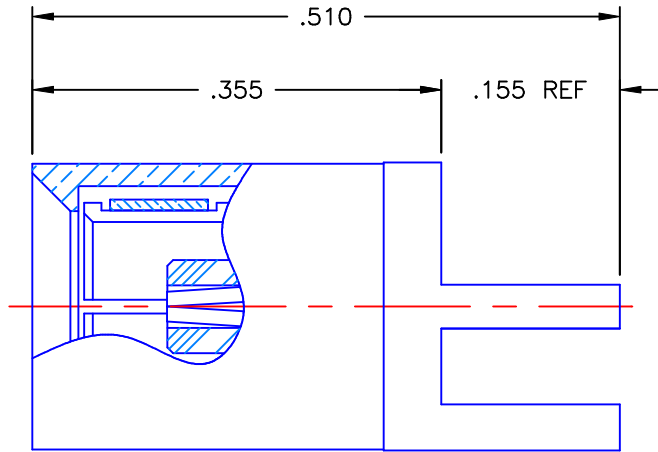


PROPRIETARY INFORMATION  
 NOT TO BE RELEASED  
 WITHOUT WRITTEN PERMISSION  
 FROM AN AUTHORIZED  
 REPRESENTATIVE OF  
 APPLIED ENGINEERING PRODUCTS

REVISIONS			
REV	DESCRIPTION	DATE	APPROVED
A	INITIAL RELEASE	11/01/06	A.D.M.





NOTES:

MATERIALS:

1. BODY & SLEEVE = BRASS PER ASTM B16, ALLOY C36000, TEMPER H02.
2. INSULATOR = VIRGIN WHITE TEFLON PER ASTM D1710, GRADE 1, TYPE I, CLASS "B".
3. CONTACT & SPRING = BERYLLIUM COPPER PER ASTM B196, ALLOY C17300, TEMPER TD04.

FINISHES:

1. BODY & SLEEVE = GOLD PLATE PER MIL-G-45204, TYPE II, CLASS 0, GRADE C, OVER .00010 TO .00020 COPPER STRIKE PER MIL-C-14550.
2. CONTACT = GOLD PLATE PER MIL-G-45204, TYPE II, CLASS 1, GRADE C, OVER .00010 TO .00020 STRESS FREE SULFAMATE NICKEL PER QQ-N-290.
3. SPRING = NICKEL PLATE PER QQ-N-290, CLASS 1, GRADE G, EXCEPT .0001 TO .0002 THICK OVER .00005 TO .0001 THICK COPPER PER MIL-C-14550.

UNLESS OTHERWISE SPECIFIED DIMENSIONS ARE IN INCHES TOLERANCES ON	DWN: A.D.M.	DATE 11/01/06	 <b>APPLIED ENGINEERING PRODUCTS</b> 104 John W. Murphy Dr. New Haven, CT 06513		
	CHKD: D.N.	DATE 11/01/06			
	APVD: J.M.	DATE 11/01/06			
DECIMAL	ANGLE	<b>SLB STRAIGHT FEMALE PLUG          EDGE MOUNT RECEPTACLE          FOR .062 P.C.B.</b>			
REFERENCE:	MATERIALS & FINISHES:  SEE NOTES	SIZE A	FSCM NO. 19505	DWG. NO. 3025-1511-014	REV A
ORIGINATOR: A.D.M. DATE: 11/01/06		SCALE 6:1	THIRD ANGLE PROJECTION 		SHEET 1 OF 1

3025-1511-014