

NOTES:

1.0 ELECTRICAL SPECIFICATIONS

1.1 FREQUENCY RANGE: DC to 26.5 GHz

1.2 VSWR (MAX):

DC to 18.0 GHz: 1.05 + 0.008f(GHz) MAX.

18.0 to 26.5 GHz: 1.30:1 MAX.

1.3 MAXIMUM INPUT POWER:

2 WATTS MAX AT +25°C DERATED

LINEARLY TO 1 WATT AT +125°C

1.4 IMPEDANCE: 50 OHMS

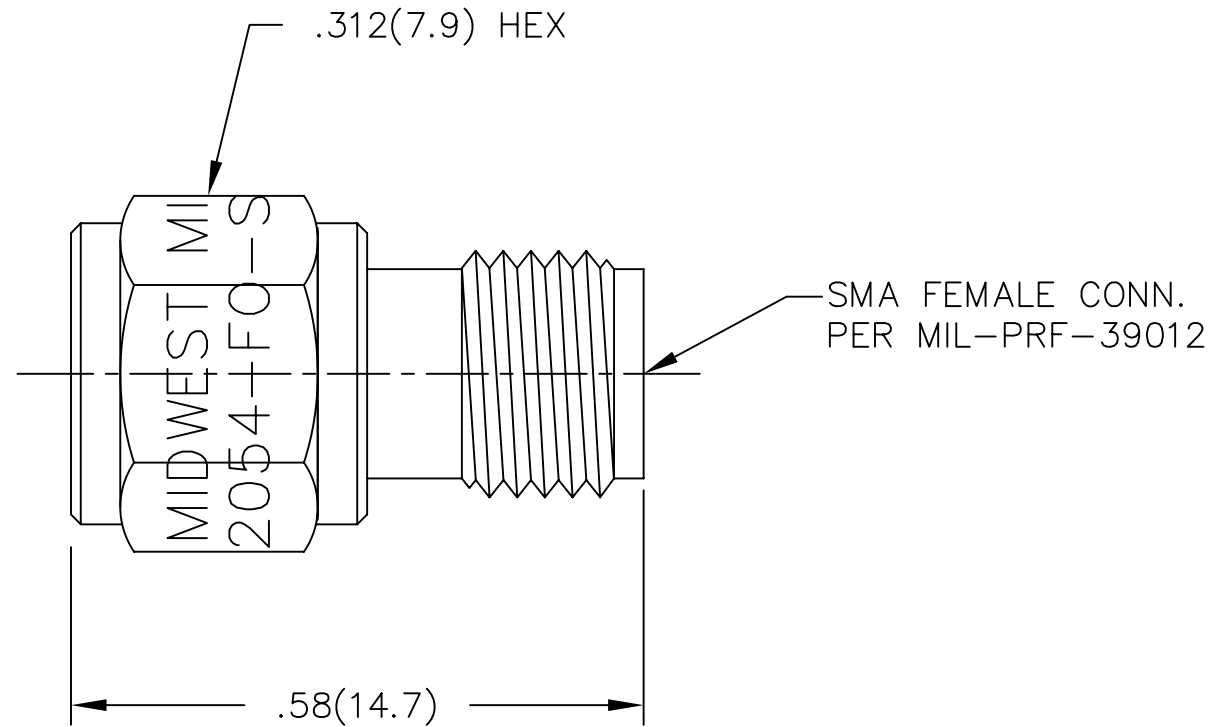
1.5 TEMPERATURE RANGE:

-65°C to +125°C

2.0 MARKING: MARK UNIT AS SHOWN

(REF.: INK-02639-27-35)

3.0 DIMENSIONS IN PARENTHESIS ARE MILLIMETERS.



REV.	DESCRIPTION	DATE
-	RELEASED	4/27/95
-1	ADDED TITLEBLOCK	10/27/05

UNLESS OTHERWISE NOTED DIMENSIONS ARE IN INCHES AND TOLERANCES ARE: 3 PLACE DECIMALS ±.005 2 PLACE DECIMALS ±.02 FRACTIONS ±1/64 PARALLELITY: T.I.R. _____ FLATNESS: T.I.R. _____ CONCENTRICITY: T.I.R. _____ ANGLES AND PERPENDICULARITY: ±1'	FSCM NO. 34078	MIDWEST MICROWAVE		
	NOTICE: The information contained in this drawing is proprietary and must not be used without the permission of Midwest Microwave		TITLE TERMINATION	
	DRAWN/DATE A.BEATTY 4/20/95	ENG./DATE A.OSGA 4/27/95	DRAWING NUMBER TRM-2054-FO-SMA-02	
	CHECKED/DATE	APPROVED/DATE	SCALE: 5=1	SHEET 1 of 1