

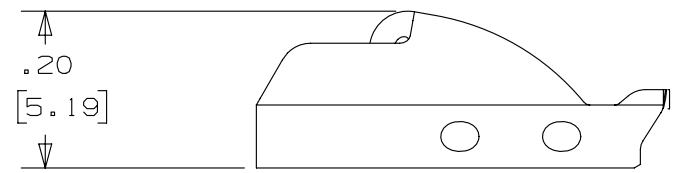
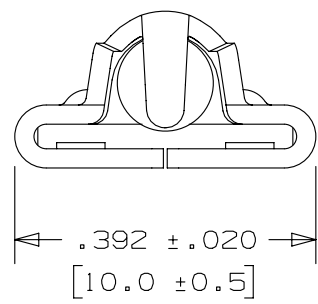
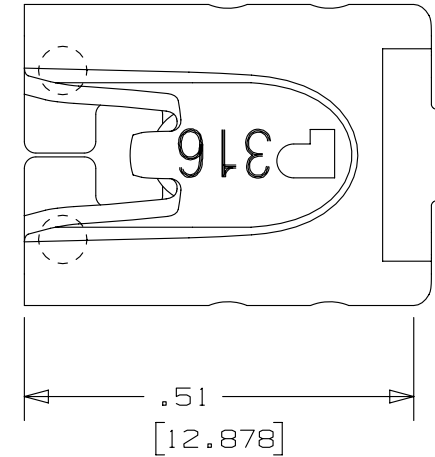
2

1

THIS COPY IS PROVIDED ON A RESTRICTED BASIS AND IS NOT TO BE USED IN ANY WAY DETRIMENTAL TO THE INTERESTS OF PANDUIT CORP.

NOTES:

- 1. TO BE USED WITH PANDUIT METAL BANDING MBH-MR & MBH-TLR.
- 2. APPLICATION TOOL: GS4MT, ST2MT, PPTMT, ST3MT, ^(A) OR HTMT.
- 3. TOOL TENSION SETTING: 4 TO 8 (GS4MT AND PPTMT ONLY)
- 4. DIMENSIONS IN [] ARE MILLIMETERS.
- ^(B) 5. MINIMUM LOOP TENSILE STRENGTH: 250 LBS (1112 N)
- 6. TOLERANCES:
 - .X = ±.030 [.762]
 - .XX = ±.020 [.508]
 - .XXX = ±.010 [.254]
 - ANGLES = ±2°



REV	DATE	BY	CHK	APR	DESCRIPTION	ECN
03A	03/13	JAMB	MIM	RGRO	UPDATE DRAWING TO NEW GLOBAL PANDUIT TITLE BLOCK WITH PANDUIT LOGO	SSECN01042
02A	10/03	JAMB	SKB	JJB	ORIG CAD FILE SPEC WAS S41131_01, ORIG DRAWING NUMBER WAS S41131	-----
01	10/03	BRH	DPN	JJB	^(A) ADDED ST3MT TO TOOL APPLICATION NOTE. ^(B) ADDED MINIMUM LOOP TENSILE STRENGTH NOTE	11162
00	11/02	JAMB	DPN	JJB	DRAWING RELEASED	10401

TITLE						METAL TIE HEAD HEAVY PART NUMBER MTHH-C316		
CUSTOMER DRAWING								
ITEM REVISION NAME			N41131BS/03					
DATASET FILE NAME			N41131BS_DC/03A					
UNLESS OTHERWISE SPECIFIED, DIMENSIONAL TOLERANCES ARE: IN [mm]						MATERIAL:		
.x ± .1 [2.54] .xxx ± .005 [.127]						316 STAINLESS STEEL		
.xx ± .01 [.25] ANGLES ± 5 °						DRAWING NUMBER:		
						N41131BS_DC		
DRAWN BY	DATE	CHK	SCALE			SHT 1 OF 1		SIZE
JAMB	11/02	DPN	4:1					A

2

1