

6

5

4

3

2

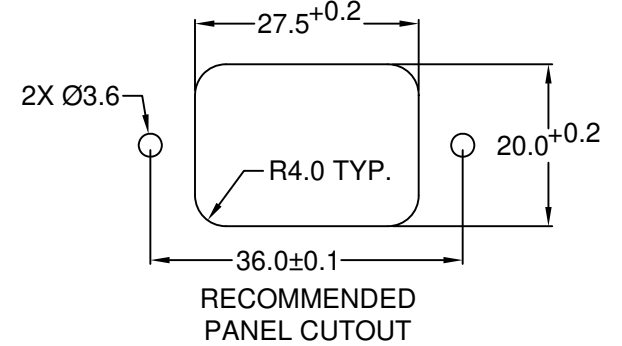
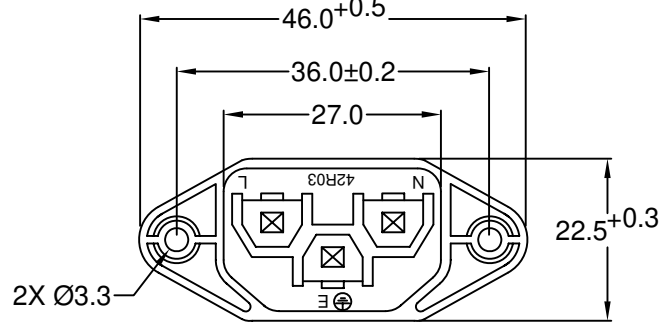
1

**MATERIAL AND FINISH:**

Insulator: Polycarbonate, UL-94V-0 rated  
Contacts: Brass, Nickel plated

**ELECTRICAL SPECIFICATIONS:**

Current rating: 10 A  
Voltage rating: 250 VAC  
Current rating: 15 A  
Voltage rating: 250 VAC



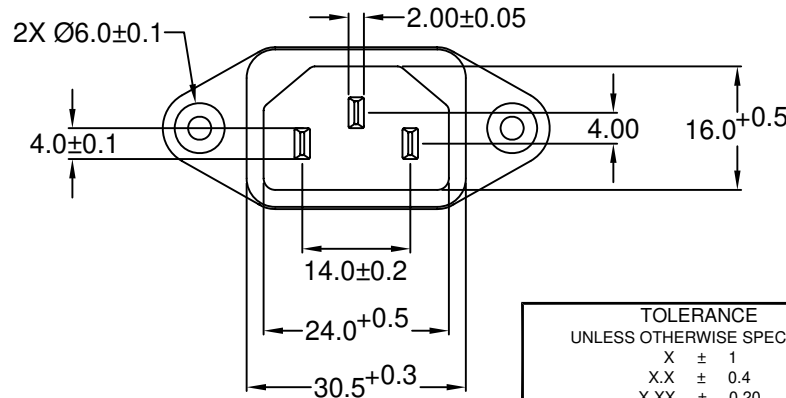
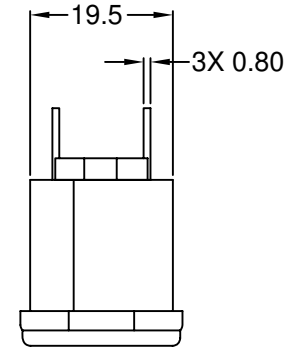
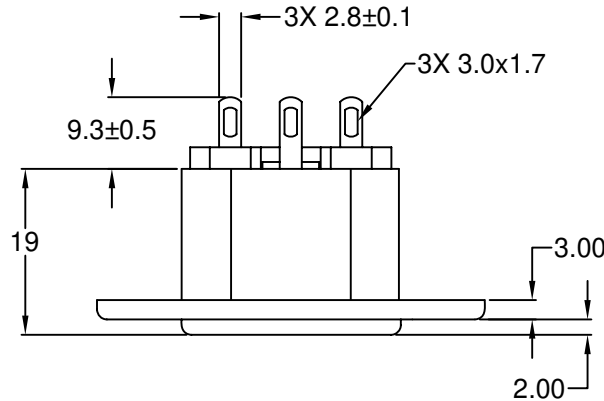
**ORDERING CODE:**

42R03-1    2     
          1    2

- 1) COLOR  
1 = BLACK  
2 = GRAY

**2) ELECTRICAL CIRCUIT CONFIGURATION**

- 1 = 15A 250V 120°C  
2+GROUND
- 2 = 15A 250V 70°C  
2+GROUND
- 4 = 15A 250V 70°C  
2 POLE



**RoHS COMPLIANT**

TOLERANCE UNLESS OTHERWISE SPECIFIED	
X	± 1
X.X	± 0.4
X.XX	± 0.20

**Power Dynamics, Inc.**  
Phone: 973 560-0019 Whippany, New Jersey Fax: 973 560-0076

PART: IEC 60320 C14 APPL. INLET; SOLDER TERMINALS; SIDE FLANGE, PANEL MOUNT

DRAWN BY	GQ	DATE:	08/16/01
CHECK BY	TD	DATE:	08/20/01
APPR BY	PB	DATE:	08/21/01

PART #: <b>42R03-1X2X</b>		SHEET 1 of 1
SIZE: A	ALL DIMENSIONS FOR REFERENCE ONLY DIMENSIONS ARE IN MILLIMETERS	REV: A
SCALE: NTS		

REVISIONS		CHNG	CHK	APPR
REV	DATE	7/20/04	TD	PB
A				