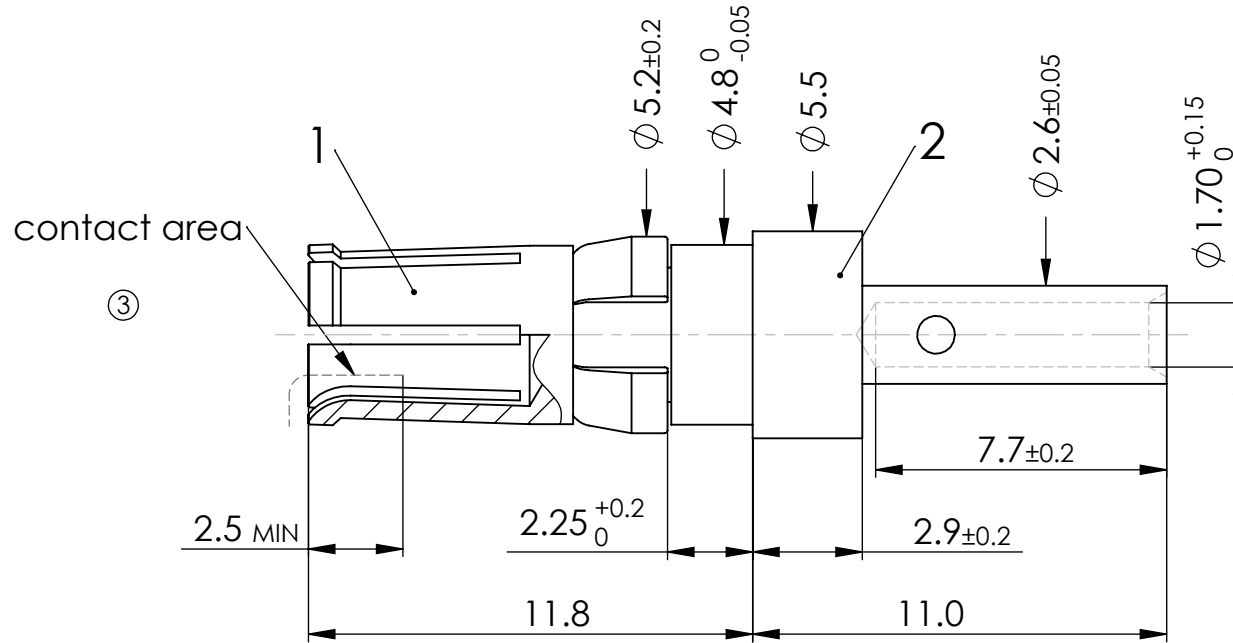
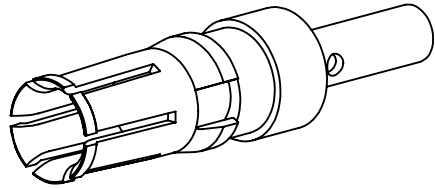


COMMENT:  
 ALL RIGHTS ARE RESERVED BY US FOR THIS DRAWING. WITHOUT OUR PRIOR CONSENT,  
 IT MAY NEITHER BE DUPLICATED NOR MADE AVAILABLE TO A THIRD PARTY,  
 AND IT ALSO MAY NOT BE IMPROPERLY USED BY THE RECEIVER, OR A THIRD PARTY.



Text No. W-4

**FCT tools:**

Hand tool: M309

Pneumatic crimp tool: WA27-309

Die: SP994

Selector Number:  
 AWG 16 / SEL. 3  
 AWG 18 / SEL. 2  
 AWG 20 / SEL. 2

CURRENT		10 A		HIGH POWER CONTACT		SCALE		DATA SHEET		②
FOR		D-Sub				5:1				
DIMENSIONS IN MM				DRAWN		NAME / DATE				
MATERIAL + FINISH SEE EXTRA SHEET				CHECKED		MSteinbrück 05-09-2003				
UNLESS OTHERWISE SPECIFIED DIMENSIONS FOR REFERENCE ONLY						MTeubel 01-08-2006				
3		15-08-2008		11399				PART NO.		REV.
REV.		DATE		INDEX				FMP002S		3
ORIGINAL: DIN A4-DRAWING AS A FILE						REPLACEMENT FOR:				PAGE: 1/1