

1-967640-1 ✓ ACTIVE

AMP | MQS

TE Internal #: 1-967640-1

Housing for Female Terminals, Wire-to-Wire, 4 Position, .244 in [6.2 mm] Centerline, Sealable, Black, Wire & Cable, Signal, MQS

[View on TE.com >](#)



Connectors > Automotive Connectors > Automotive Housings > MQS, CONNECTOR HOUSING



Connector & Housing Type: **Housing for Female Terminals**

Mating Tab Width: **.63 mm [.025 in]**

Connector System: **Wire-to-Wire**

Number of Positions: **4**

Centerline (Pitch): **6.2 mm [.244 in]**

[All MQS, CONNECTOR HOUSING \(571\)](#)

Features

Product Type Features

Connector Shape	Rectangular
Connector & Housing Type	Housing for Female Terminals
Connector System	Wire-to-Wire
Sealable	Yes
Hybrid Connector	No
Primary Locking Feature	On the Terminal
Connector & Contact Terminates To	Wire & Cable

Configuration Features

Number of Positions	4
Number of Rows	2

Electrical Characteristics

Nominal Voltage Architecture	50 V
------------------------------	------

Body Features



Cable Exit Angle	180°
Primary Product Color	Black
Connector & Keying Code	A

Contact Features

Contact Size	.63mm
Contact Type	Receptacle
Mating Tab Width	.63 mm[.025 in]
Contact Current Rating (Max)	7.5 A

Mechanical Attachment

Terminal Position Assurance	Yes
Strain Relief	Without
Mating Alignment Type	Keyed
Mating Alignment	With
Connector Mounting Type	Cable Mount (Free-Hanging)

Housing Features

Housing Material	PBT GF
Centerline (Pitch)	6.2 mm[.244 in]

Dimensions

Connector Height	24.2 mm[.953 in]
Product Width	24.2 mm[.953 in]
Product Length	15.3 mm[.602 in]
Row-to-Row Spacing	5.9 mm[.232 in]

Usage Conditions

Operating Temperature (Max)	70 °C, 75 °C, 80 °C, 85 °C, 90 °C, 100 °C, 105 °C, 110 °C, 120 °C[158 °F][167 °F][176 °F][185 °F][194 °F][212 °F][221 °F][230 °F][248 °F]
Operating Temperature Range	-40 – 120 °C[-40 – 248 °F]

Operation/Application

Circuit Application	Signal
---------------------	--------

Industry Standards

Degree of Protection	IPX9K
----------------------	-------

Packaging Features



Packaging Method	Bag
------------------	-----

Other

Serviceable	No
Connector Position Assurance Capable	No

Product Compliance

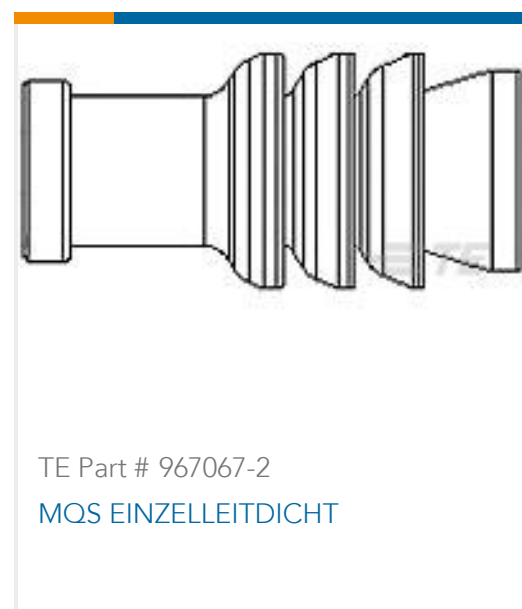
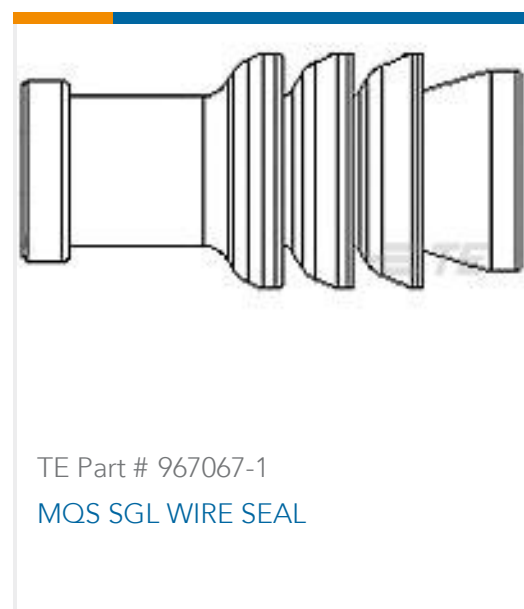
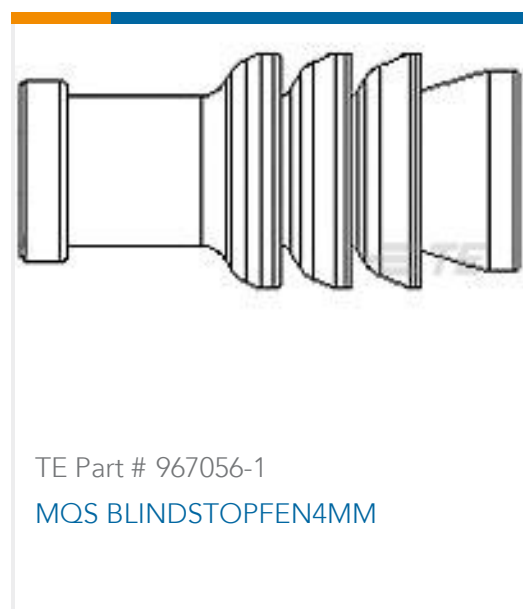
[For compliance documentation, visit the product page on TE.com>](#)

EU RoHS Directive 2011/65/EU	Compliant
EU ELV Directive 2000/53/EC	Compliant
China RoHS 2 Directive MIIT Order No 32, 2016	No Restricted Materials Above Threshold
EU REACH Regulation (EC) No. 1907/2006	Current ECHA Candidate List: JUNE 2023 (235) Candidate List Declared Against: JAN 2023 (233) Does not contain REACH SVHC
Halogen Content	Not Low Halogen - contains Br or Cl > 900 ppm.
Solder Process Capability	Not applicable for solder process capability

Product Compliance Disclaimer


This information is provided based on reasonable inquiry of our suppliers and represents our current actual knowledge based on the information they provided. This information is subject to change. The part numbers that TE has identified as EU RoHS compliant have a maximum concentration of 0.1% by weight in homogenous materials for lead, hexavalent chromium, mercury, PBB, PBDE, DBP, BBP, DEHP, DIBP, and 0.01% for cadmium, or qualify for an exemption to these limits as defined in the Annexes of Directive 2011/65/EU (RoHS2). Finished electrical and electronic equipment products will be CE marked as required by Directive 2011/65/EU. Components may not be CE marked. Additionally, the part numbers that TE has identified as EU ELV compliant have a maximum concentration of 0.1% by weight in homogenous materials for lead, hexavalent chromium, and mercury, and 0.01% for cadmium, or qualify for an exemption to these limits as defined in the Annexes of Directive 2000/53/EC (ELV). Regarding the REACH Regulation, the information TE provides on SVHC in articles for this part number is based on the latest European Chemicals Agency (ECHA) 'Guidance on requirements for substances in articles' posted at this URL: <https://echa.europa.eu/guidance-documents/guidance-on-reach>

Compatible Parts






TE Part # 1-2377698-2
CHARGING INLET CCS2, CABLE ASSY



TE Part # 1-2393949-5
COMBO 2, CHARGE INLET ASSY, WITH LED



TE Part # 2377168-1
CHARGER INLET CCS1, CABLE ASSY



TE Part # 2377698-1
CHARGING INLET CCS2, CABLE ASSY



TE Part # 2377698-5
CHARGING INLET CCS2, CABLE ASSY



TE Part # 2388501-5
CHARGE INLET, COMBO 1, LED, 90 DEGREE



TE Part # CAT-SIGH262
Signal Header



TE Part # CAT-M8793-T273
MQS, RECEPTACLE AND TAB



TE Part # 1-2377168-1
CHARGING INLET CCS1, CABLE ASSY



TE Part # 1-2377168-2
CHARGING INLET CCS1, CABLE ASSY



TE Part # 1-2377168-3
CHARGING INLET CCS1, CABLE ASSY



TE Part # 1-2377168-4
CHARGING INLET CCS1, CABLE ASSY



TE Part # 1-2377168-5
CHARGING INLET CCS1, CABLE ASSY



TE Part # 1-2377168-6
CHARGING INLET CCS1, CABLE ASSY



TE Part # 1-2377698-1
CHARGING INLET CCS2, CABLE ASSY



TE Part # 1-2377698-3
CHARGING INLET CCS2, CABLE ASSY

Also in the Series | MQS




Automotive Connector Caps & Covers (139)



Automotive Connector EMC Shielding (3)



Automotive Connector Locks & Position Assurance(30)



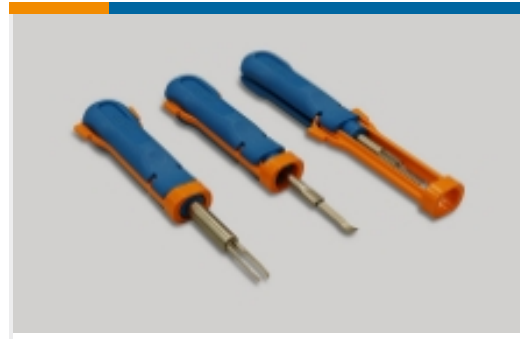
Automotive Housings(506)



Automotive Seals & Cavity Plugs(27)



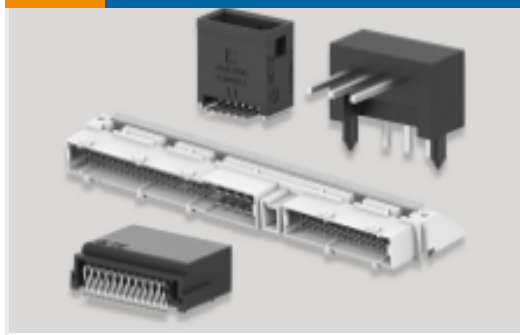
Automotive Terminals(104)



Insertion & Extraction Tools(42)



Other Automotive Connector Accessories(14)



PCB Headers & Receptacles(214)

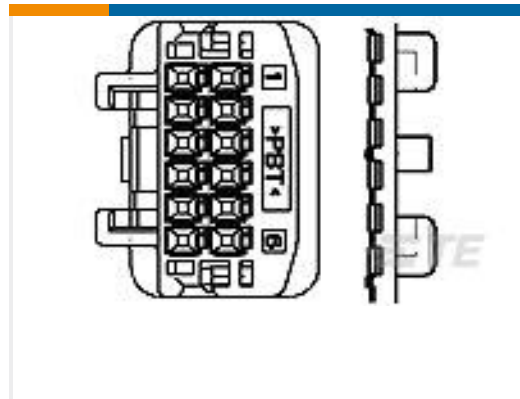
Customers Also Bought



TE Part #1-967584-1
MQS, CONNECTOR HOUSING



TE Part #1897009-2
MT-2/JPT SLD 26P PLUG ASSY TYPE A



TE Part #1473410-1
025 G 16POS CAP ASSY W TO W



TE Part #2005575-1
060/110/250 LIF 38P PLUG ASSY WHI



TE Part #2298627-1
24POS, HYBRID, TAB HSG ASSY,
UNSLD, COD A



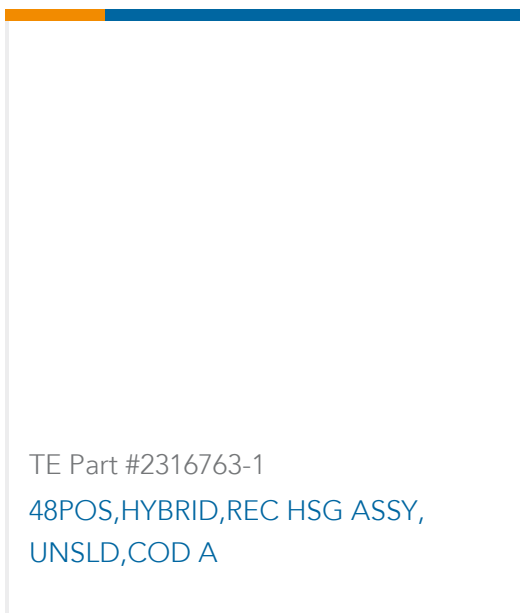
TE Part #1-2355506-1
2POS, MCON 1.2, REC HSG ASSY, SLD,
COD A



TE Part #634051N002
202K121-25/225-0-CS6939



TE Part #2109435-2
060/110/250 LIF 36P PLUG ASSY



TE Part #2316763-1
48POS, HYBRID, REC HSG ASSY,
UNSLD, COD A

Documents



Product Drawings

4POS MQS REC COD A

English

CAD Files

Customer View Model

[ENG_CVM_CVM_1-967640-1_B.2d_dxf.zip](#)

English

3D PDF

3D

Customer View Model

[ENG_CVM_CVM_1-967640-1_B.3d_igs.zip](#)

English

Customer View Model

[ENG_CVM_CVM_1-967640-1_B.3d_stp.zip](#)

English

By downloading the CAD file I accept and agree to the [Terms and Conditions](#) of use.

Datasheets & Catalog Pages

Micro Quadlok Interconnection System (MQS)

English

Product Specifications

Application Specification

English

Application Specification

English