

MATERIAL AND FINISH:
 Insulator: Polycarbonate,
 UL-94V-0 rated
 Contacts: Brass, Nickel plated

RoHS
 COMPLIANT

ORDERING CODE:
 42R37-
 1 2 3 4

- 1) SNAP-IN MOUNT
 3 = WITHOUT LAMP
 8 = WITH NEON LAMP
- 2) COLOR
 1 = BLACK
 2 = GRAY
- 3) ELECTRICAL CIRCUIT
 CONFIGURATION

1 = 10A 250V 70°C
 2+GROUND, 1 FUSE
 1 POLE SWITCH



3 = 10A 250V 70°C
 2+GROUND, 1 FUSE
 2 POLE SWITCH



4 = 10A 250V 70°C
 2+GROUND, 2 FUSE
 2 POLE SWITCH



7 = 10A 250V 120°C
 2+GROUND, 1 FUSE
 2 POLE SWITCH



8 = 10A 250V 120°C
 2+GROUND, 2 FUSE
 2 POLE SWITCH



11 = 10A 250V 70°C
 2 POLE, 1 FUSE
 2 POLE SWITCH

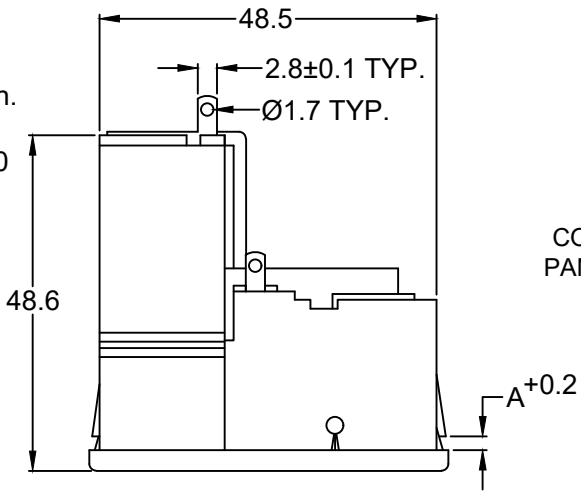
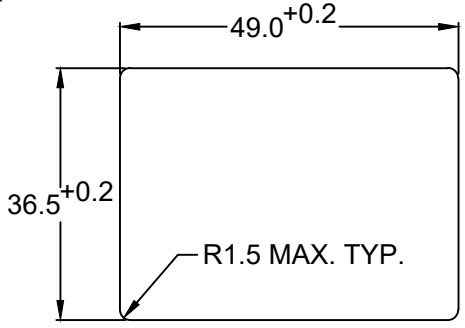


12 = 10A 250V 70°C
 2 POLE, 2 FUSE
 2 POLE SWITCH

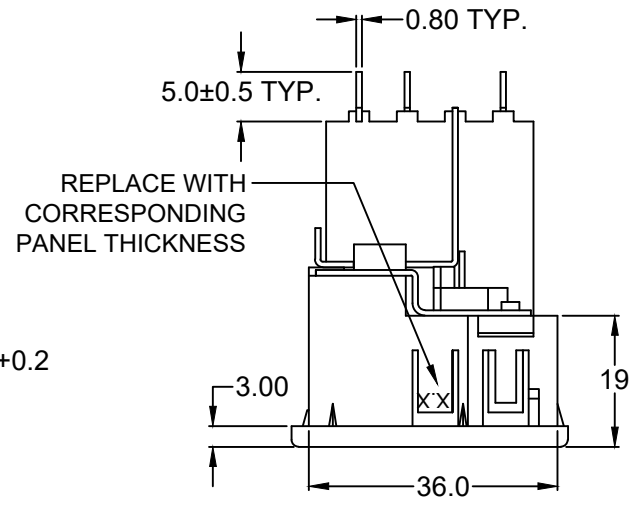


4) PANEL THICKNESS

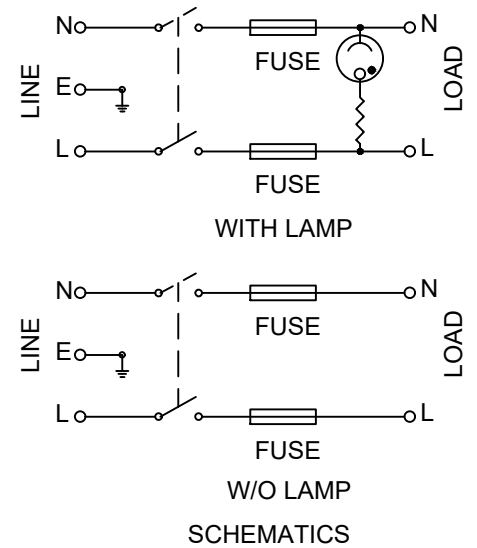
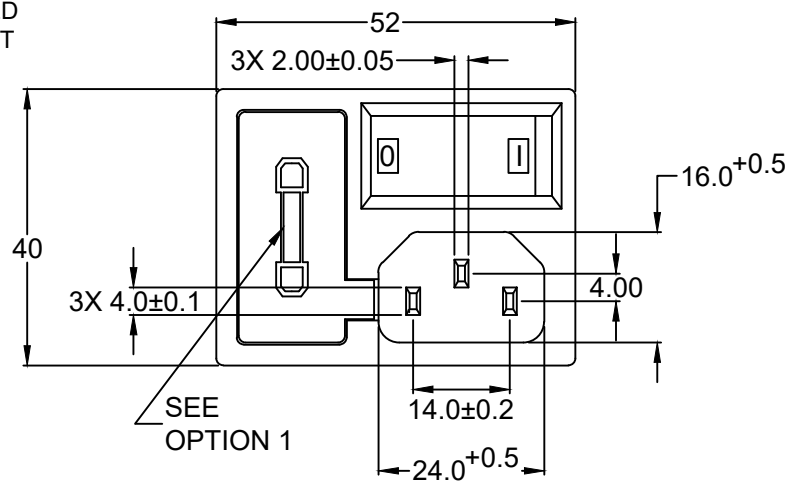
ELECTRICAL SPECIFICATIONS:
 Inlet Current rating: 10 A
 Fuse Holder Current rating:
 5A 6.3A
 Voltage rating: 250 VAC
 Insulation resistance: 100 Mohm min.
 at 500 VDC
 Dielectric withstanding voltage: 2000
 VAC for one minute



REVISIONS					
REV	DATE	CHANGE	CHNG	CHK	APPR
A	1/6/22	REVISED CURRENT RATINGS	PB		



RECOMMENDED
 PANEL CUTOUT



P/N	A	MAX. PANEL THICKNESS
42R37-XX3X-150	1.5	1.5
42R37-XX3X-200	2.0	2.0

ADDITIONAL PANEL THICKNESS AND ONE
 POLE SWITCH AVAILABLE ON REQUEST

TOLERANCE UNLESS OTHERWISE SPECIFIED	
X	± 1
X.X	± 0.4
X.XX	± 0.20

DRAWN BY: PB	DATE: 09/20/22
CHECK BY:	DATE:
APPR BY:	DATE:

Power Dynamics, Inc.
 Phone: 973 560-0019 Whippany, New Jersey Fax: 973 560-0076

PART: IEC 60320 FUSE HOLDER AND POWER
 SWITCH APPL. INLET; SOLDER TERMINALS

PART #: **42R37-XX3X-XXX** SHEET 1 of 1

SIZE: A	ALL DIMENSIONS FOR REFERENCE ONLY DIMENSIONS ARE IN MILLIMETERS
SCALE: NTS	