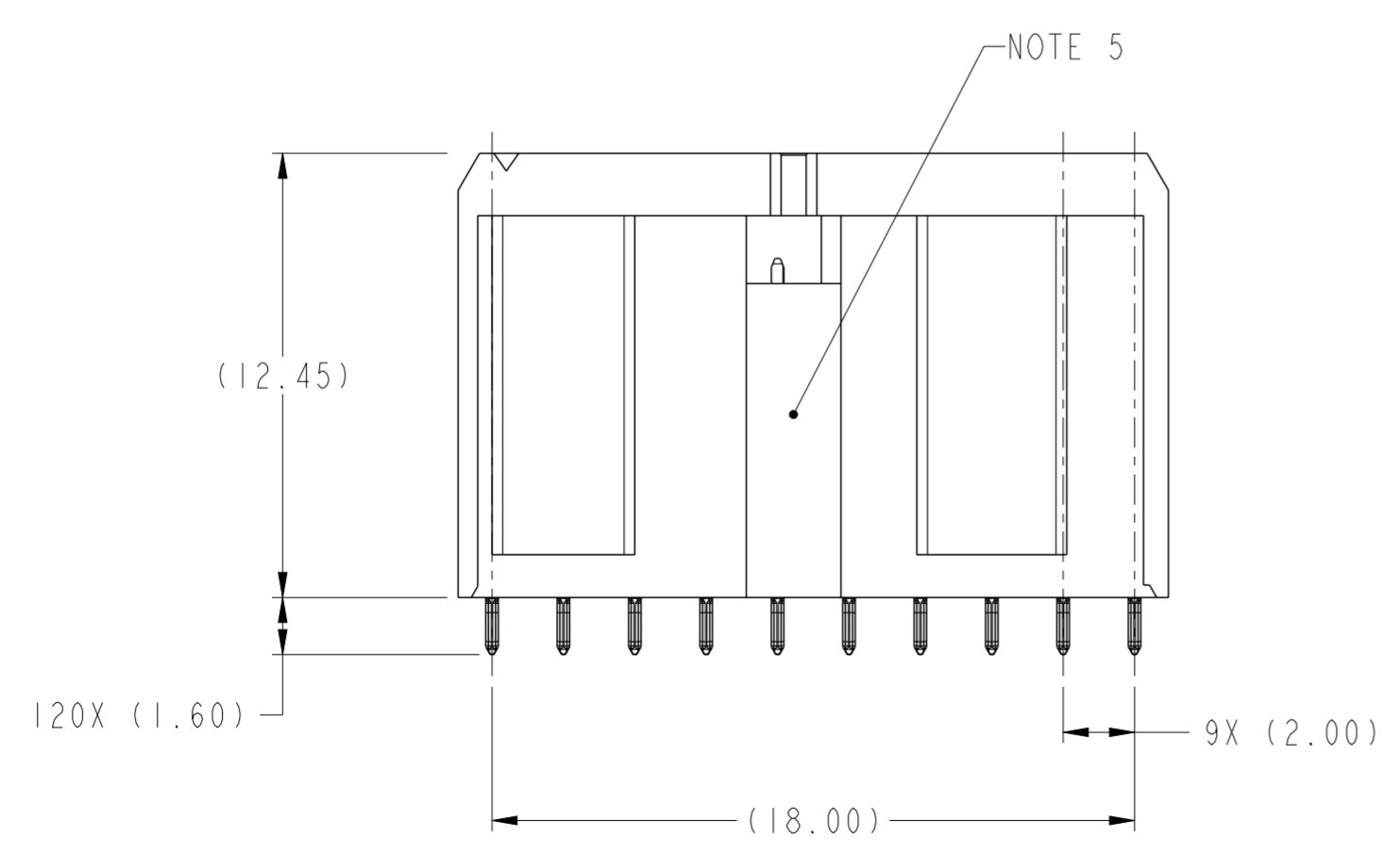
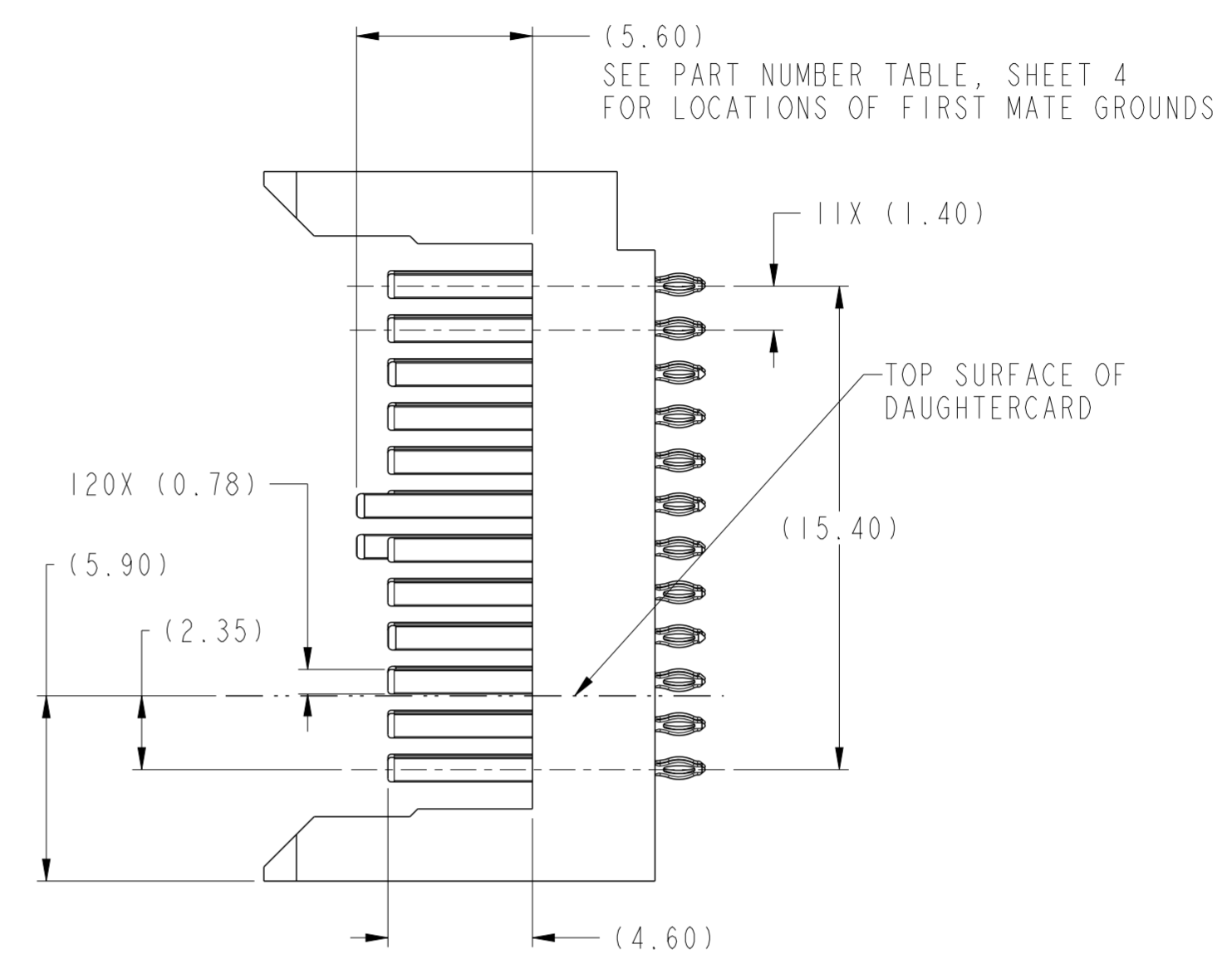
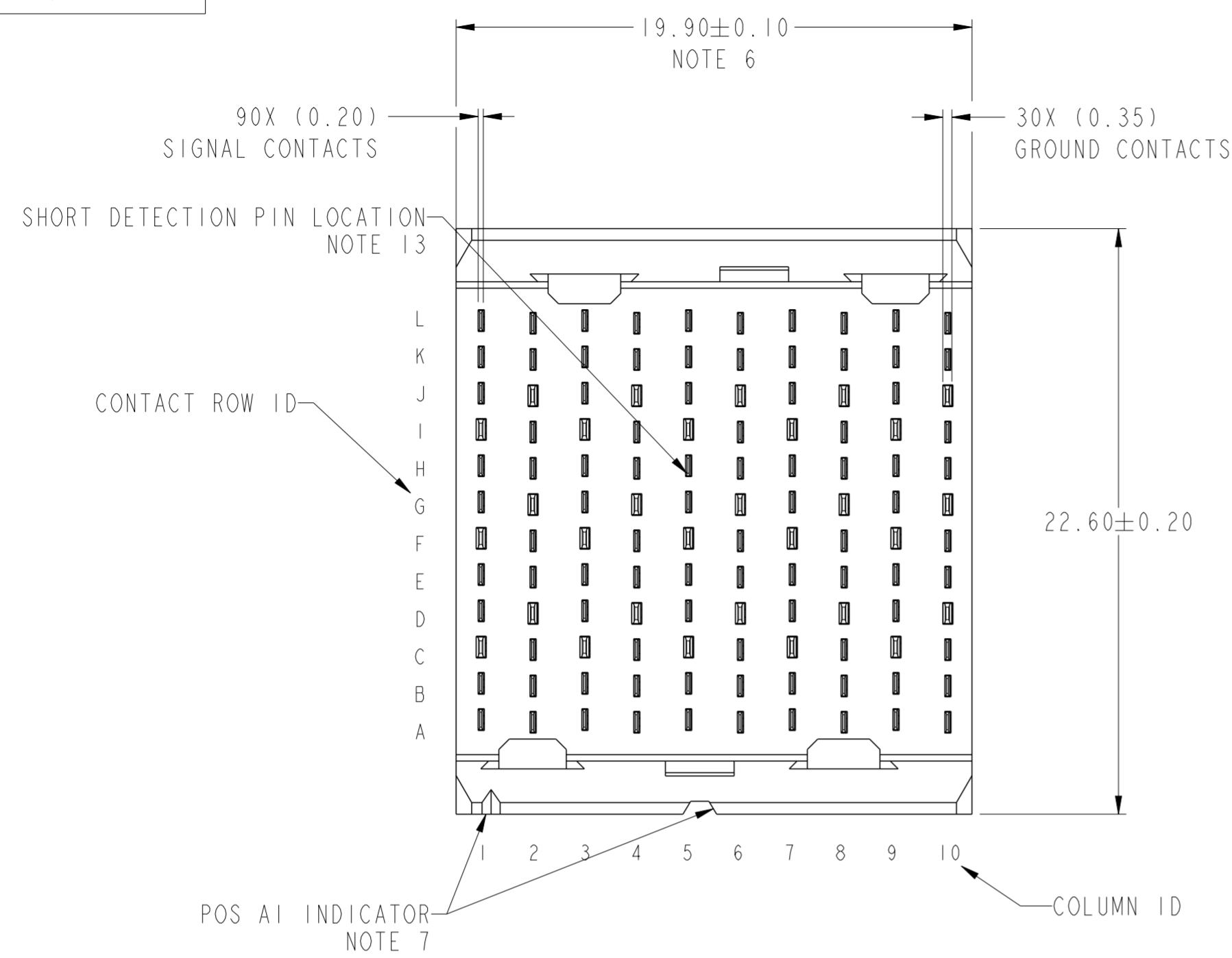


Product number
SEE TABLE, SHT 4



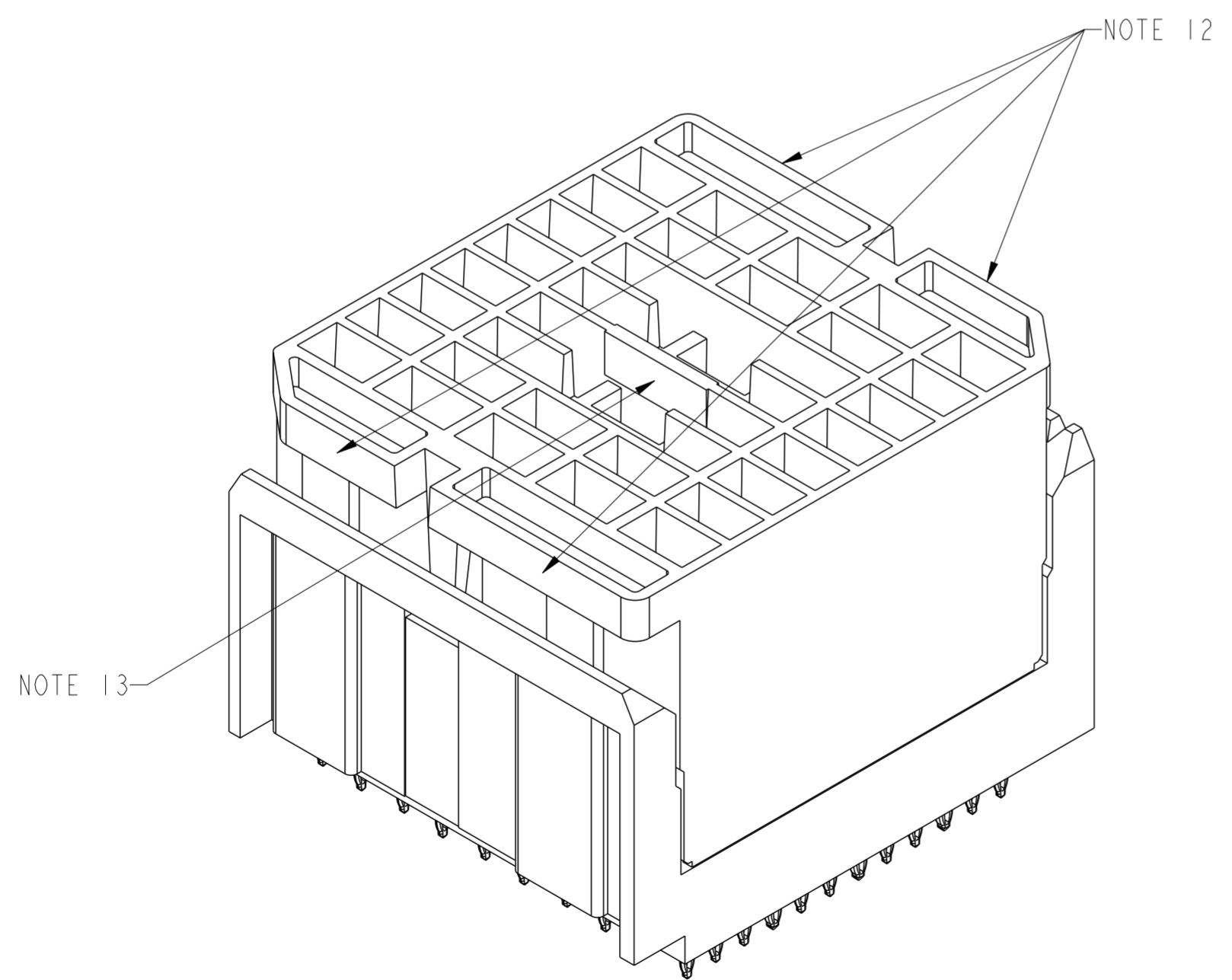
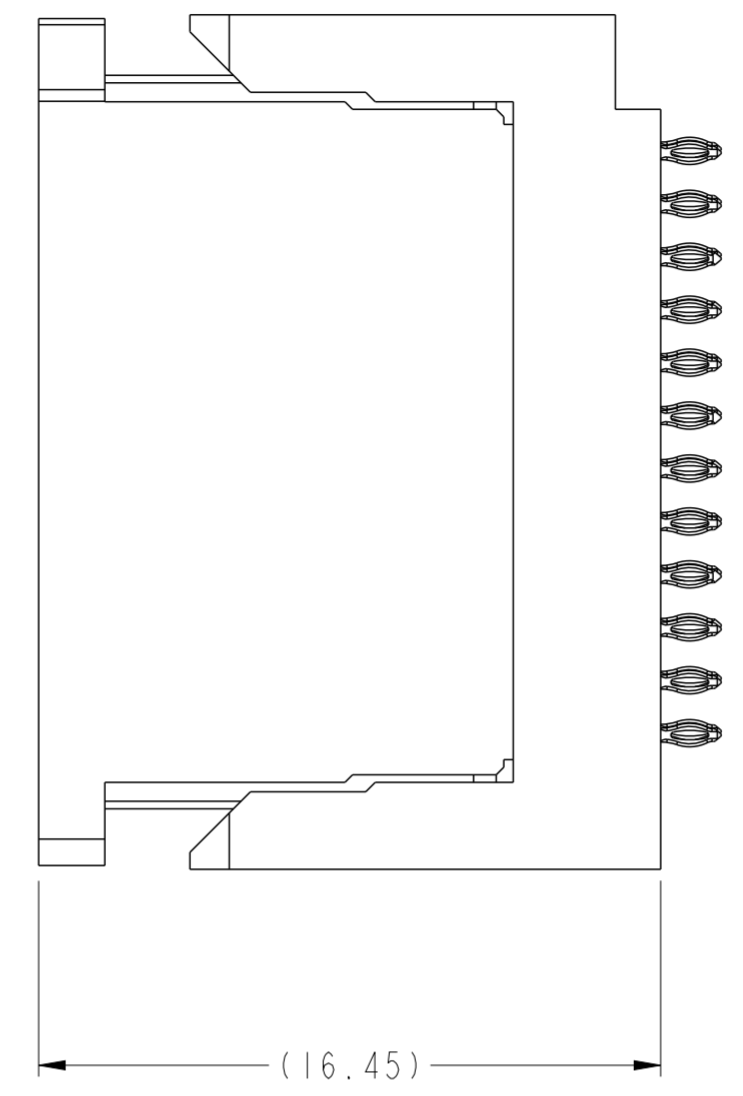
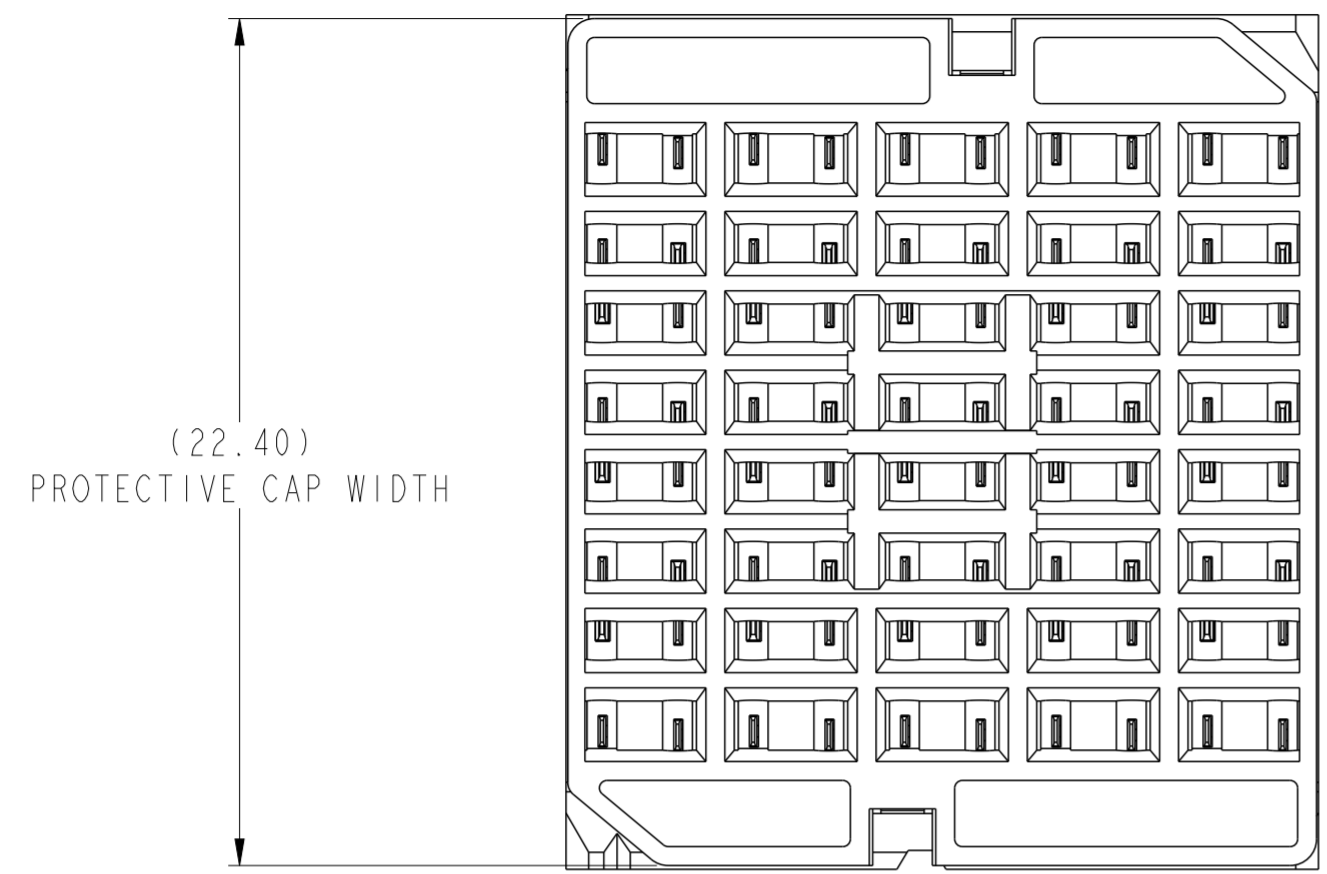
spec ref	-	dr	Sandar Soe	2012/09/13	projection	MM	size	A2	scale	5:1			
tolerance std	ASME Y14.5	eng	Terry Luo	2020/09/08			ecn no	ELX-DG-38252-1					
TOLERANCES UNLESS OTHERWISE SPECIFIED		chr	-	appr			Heaven Cen	2020/09/17	product family	AIRMAX VS	rel level	Released	
surface	ASME Y14.5	linear	0.X ±0.3 0.XX ±0.10 0.XXX ±0.050	angular			0° ±2°	Amphenol FCI		title	AIRMAX VS2 VERTICAL HEADER 4 PAIR 120 POS 2MM 10 COL,GXT+	cat. no.	-
		angular	0° ±2°			divg no	10122770	rev	D				

Amphenol FCI

© 2016 AFCI

1 2 3 4 5 6 7 8

A
B
C
D
E
F

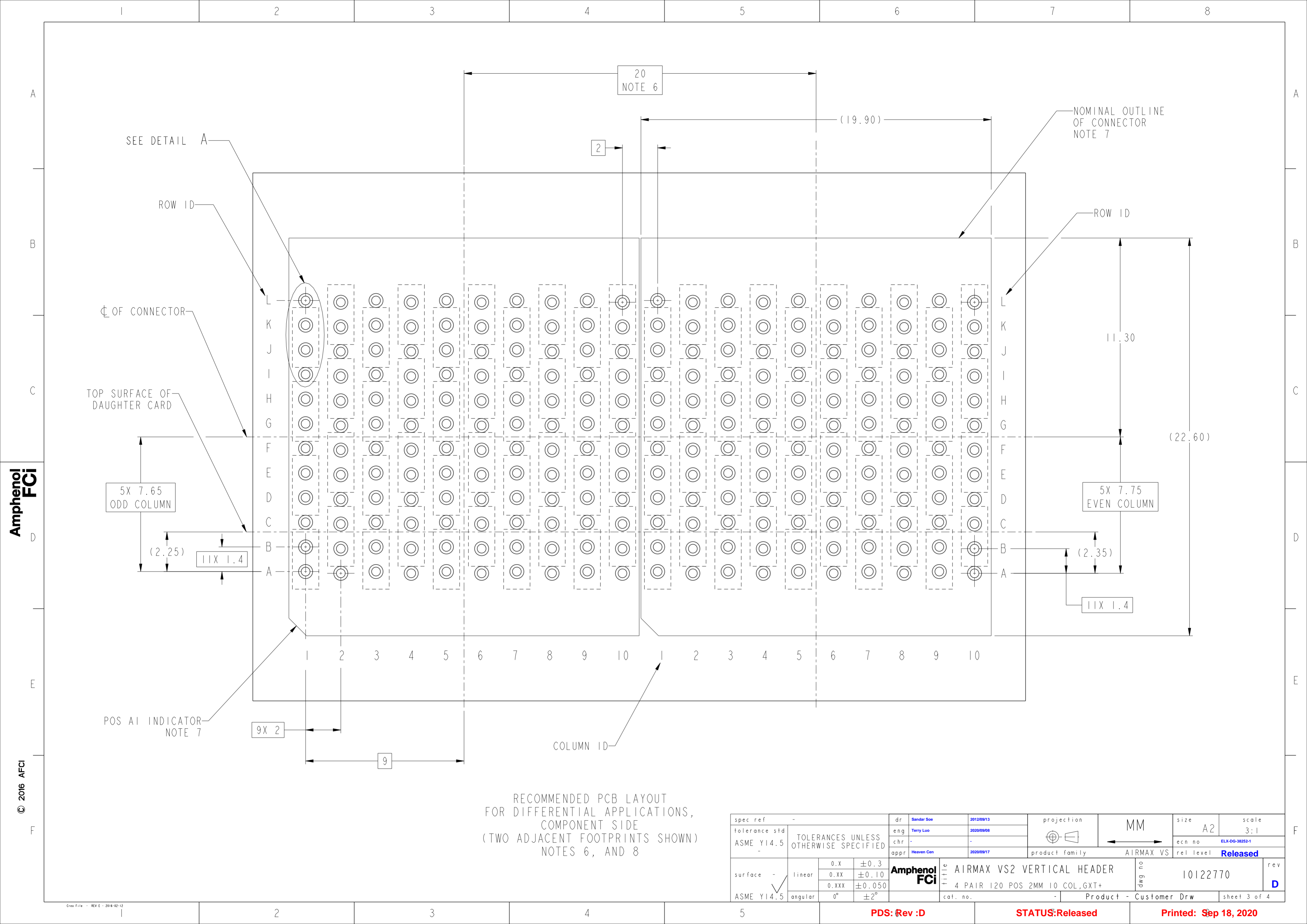


VIEWS SHOWN WITH
PROTECTIVE COVER INSTALLED
10122770-1*1LF

Amphenol
FCi

© 2016 AFCI

spec ref	-	dr	Sandar Soe	2012/09/13	projection	MM	size	A2	scale	5:1
tolerance std	ASME Y14.5	eng	Terry Luo	2020/09/08			ecn no	ELX-DG-38252-1		
		chr	-	rel level			Released			
		appr	Heaven Cen	2020/09/17			product family	AIRMAX VS		
surface	-	linear	0.X	±0.3		Amphenol FCI	title	AIRMAX VS2 VERTICAL HEADER		
			0.XX	±0.10			cat. no.	-	Product - Customer Drw	sheet 2 of 4
		angular	0°	±2°			rel level	Released		
ASME Y14.5							4 PAIR 120 POS 2MM 10 COL,GXT+	10122770	rev	D



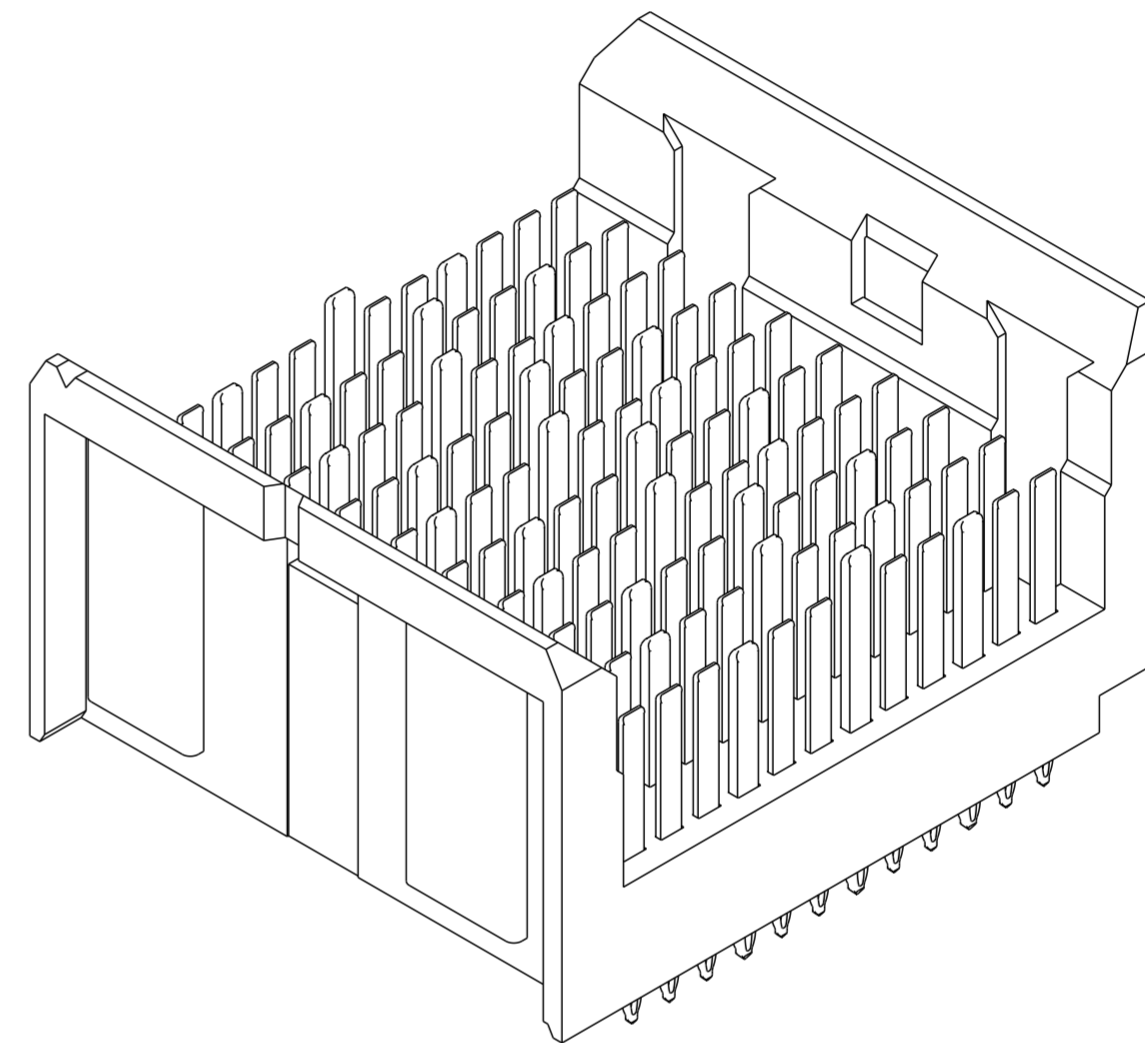
RECOMMENDED PCB LAYOUT
 FOR DIFFERENTIAL APPLICATIONS,
 COMPONENT SIDE
 (TWO ADJACENT FOOTPRINTS SHOWN)
 NOTES 6, AND 8

spec ref	-	dr	Sandar Soe	2012/09/13	projection	MM	size	A2	scale	3:1	
tolerance std	ASME Y14.5	eng	Terry Luo	2020/09/08	chr	-	ecn no	ELX-DG-38252-1	rel level	Released	
surface	-	appr	Heaven Cen	2020/09/17	product family	AIRMAX VS	cat. no.	Product - Customer Drw	sheet 3 of 4		
ASME Y14.5	linear	0.X	±0.3	0.XX	±0.10	0.XXX	±0.050	angular	0°	±2°	
		Amphenol FCI		title		AIRMAX VS2 VERTICAL HEADER		4 PAIR 120 POS 2MM 10 COL,GXT+		rev	D

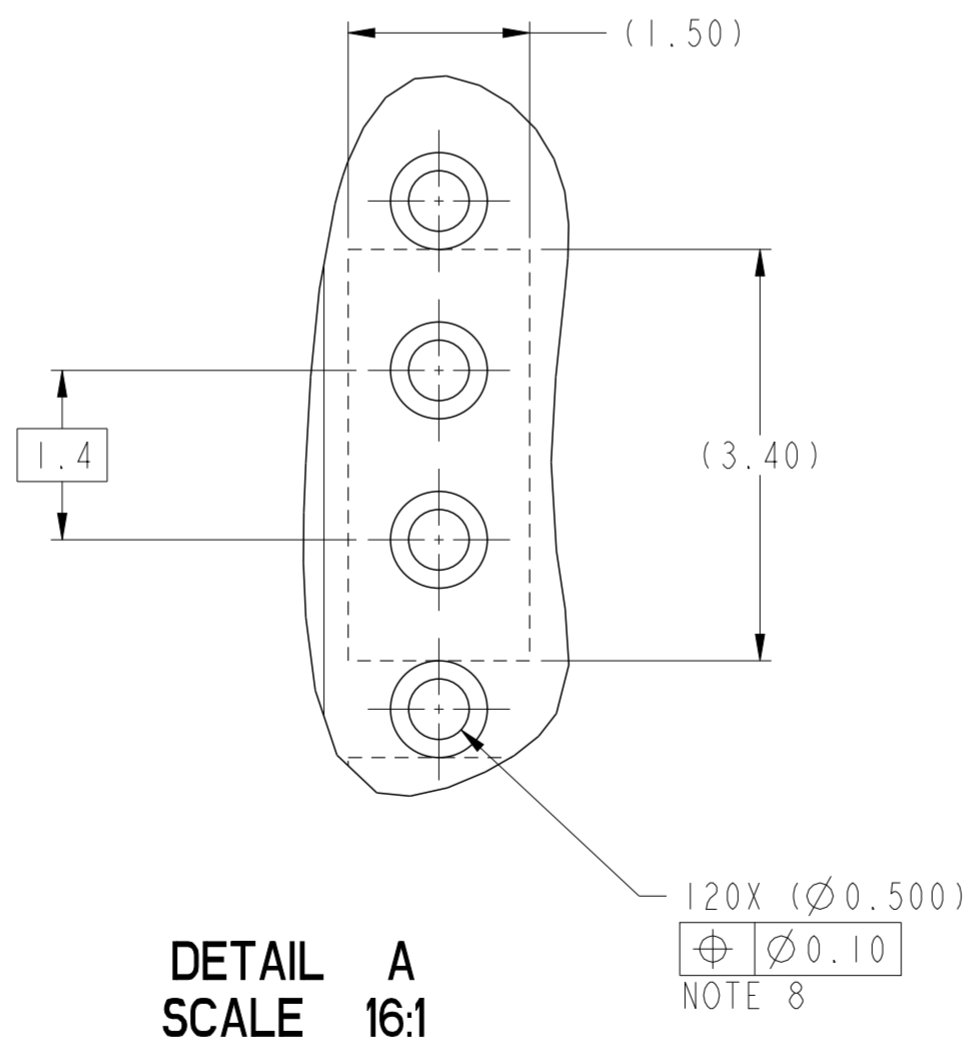
PART NUMBER	PRESS-FIT TAIL PLATING TYPE	DETECTION PIN	PROTECTIVE COVER	LONG GND PIN LOCATIONS (5.6mm)	REMARKS
10122770-101LF	TIN OVER NICKEL (LEAD FREE)	NO	YES	F1, F3, F5, F7, F9, G2, G4, G6, G8, G10	2-SIDED PLATING
10122770-111LF		YES	YES		
10122770-121LF		YES	YES	NO LONG GND PIN	

NOTES:

- CONNECTOR MATERIALS:
HOUSING: HIGH TEMP THERMOPLASTIC, BLACK, UL94V-0
CONTACT: COPPER ALLOY
- CONTACT PLATING:
SEPARABLE INTERFACE: PERFORMANCE-BASED PLATING, QUALIFIED TO MEET THE REQUIREMENTS OF FCI PRODUCT SPECIFICATION GS-12-239 INCLUDING TELCORDIA GR-1217-CORE (NOVEMBER 1995) CENTRAL OFFICE TEST SEQUENCE
PRESS-FIT TAILS: SEE TABLE
- PRODUCT SPECIFICATION: GS-12-239.
- APPLICATION SPECIFICATION: GS-20-035.
- PRODUCT MARKING, (PROTOTYPE, PART NUMBER & LOT CODE), ON THIS SURFACE.
- THE MINIMUM CENTERLINE SPACING BETWEEN ADJACENT MODULES IS 20.0 mm.
- CONNECTOR OUTLINE WITH HOUSING POS A1 INDICATOR MAY BE SCREEN PRINTED ONTO CUSTOMER PCB TO BE USED AS A GUIDE FOR MANUAL CONNECTOR PLACEMENT.
- REFER TO CUSTOMER DRAWING 10104444 FOR INFORMATION ON PCB HOLE DIAMETERS AND PLATING OPTIONS.
- THIS PRODUCT MEETS EUROPEAN UNION DIRECTIVES AND OTHER COUNTRY REGULATIONS AS DESCRIBED IN GS-22-008.
- PACKAGING MEETS GS-14-920 LEAD FREE LABELING SPECIFICATION.
- FOR REMOVAL OF THE PROTECTIVE CAP BY HAND GRIP USING THESE SURFACES.
- FOR REMOVAL OF THE PROTECTIVE CAP WITH PLIERS GRIP USING THIS FEATURE.
- SHORT DETECTION PIN IS 0.5mm LESS WIPE NOMINLA THAN THE SHORTEST PIN .



10122770-1*1LF WITHOUT PROTECTIVE COVER



spec ref	-	dr	Sandar Soe	2012/09/13	projection	MM	size	A2	scale	5:1	
tolerance std	ASME Y14.5	eng	Terry Luo	2020/09/08	chr	-	ecn no	ELX-DG-38252-1	rel level	Released	
surface	-	appr	Heaven Cen	2020/09/17	product family	AIRMAX VS	cat. no.	10122770	rev	D	
ASME Y14.5	linear	0.X	±0.3	0.XX	±0.10	0.XXX	±0.050	angular	0°	±2°	
		Amphenol FCI		title		AIRMAX VS2 VERTICAL HEADER		4 PAIR 120 POS 2MM 10 COL,GXT+		Product - Customer Drw	sheet 4 of 4