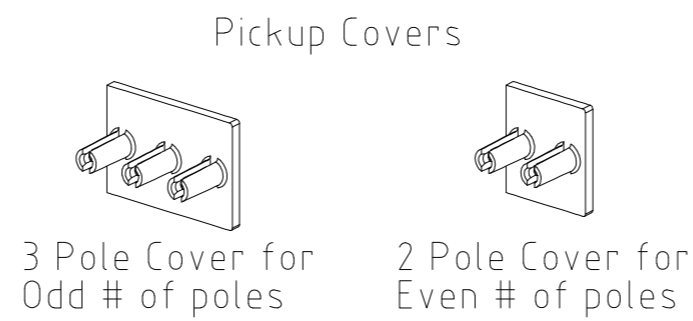
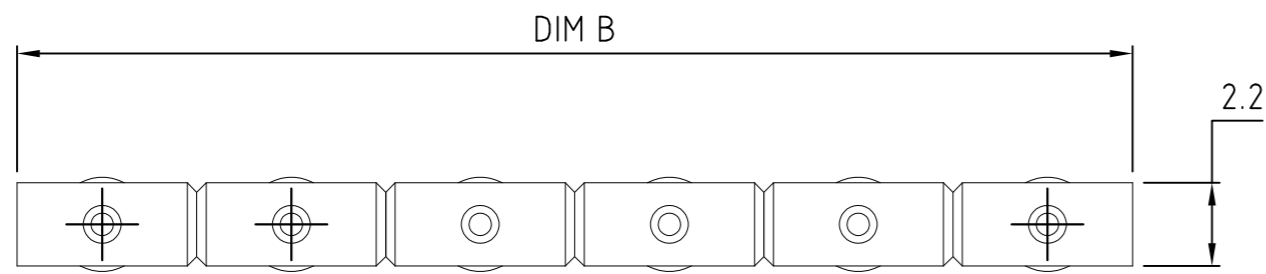


THIS DRAWING IS UNPUBLISHED. RELEASED FOR PUBLICATION
 © COPYRIGHT - By - ALL RIGHTS RESERVED.

REVISIONS				
P	LTR	DESCRIPTION	DATE	APVD
A		NEW DRAWING	03MAY2016	RS RH



SPECIFICATIONS:

MATERIALS

CONTACT SOLDER PIN: BRASS, SN OVER NI PLATED
 INSULATING BODY: PA46, GLASS FILLED (UL94-V0)

ELECTRICAL

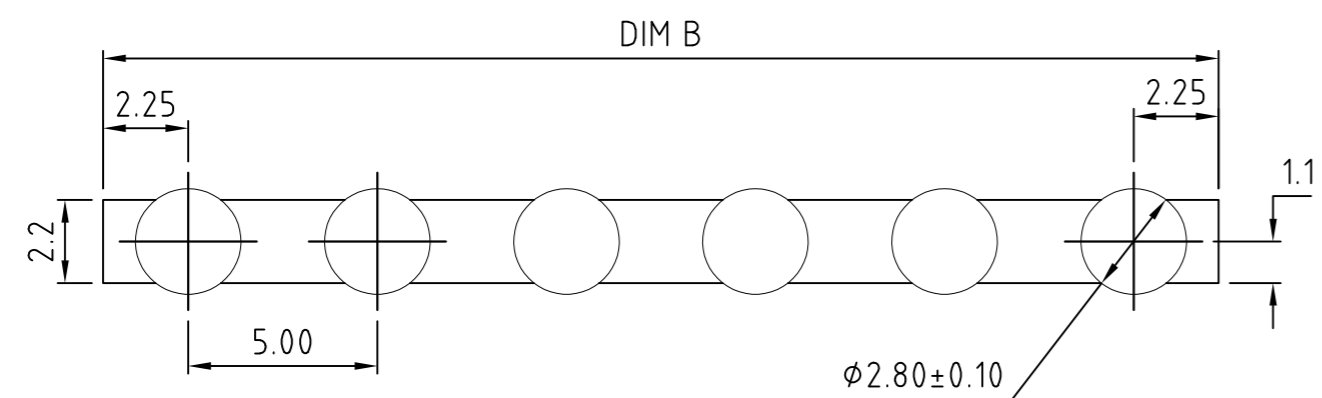
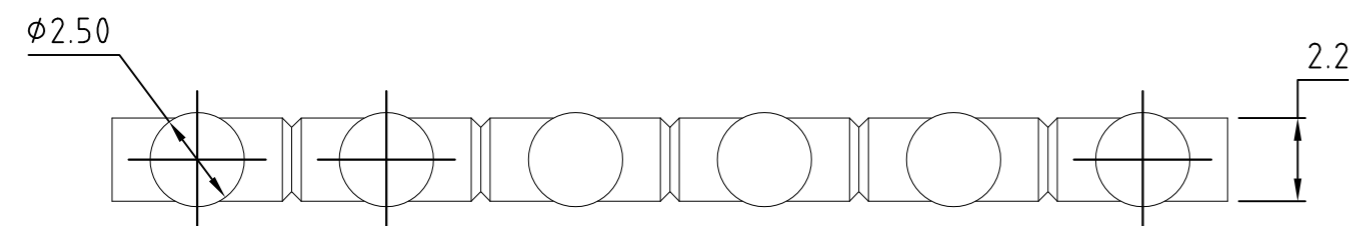
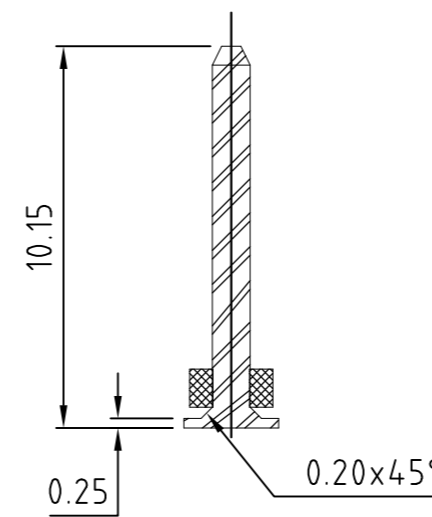
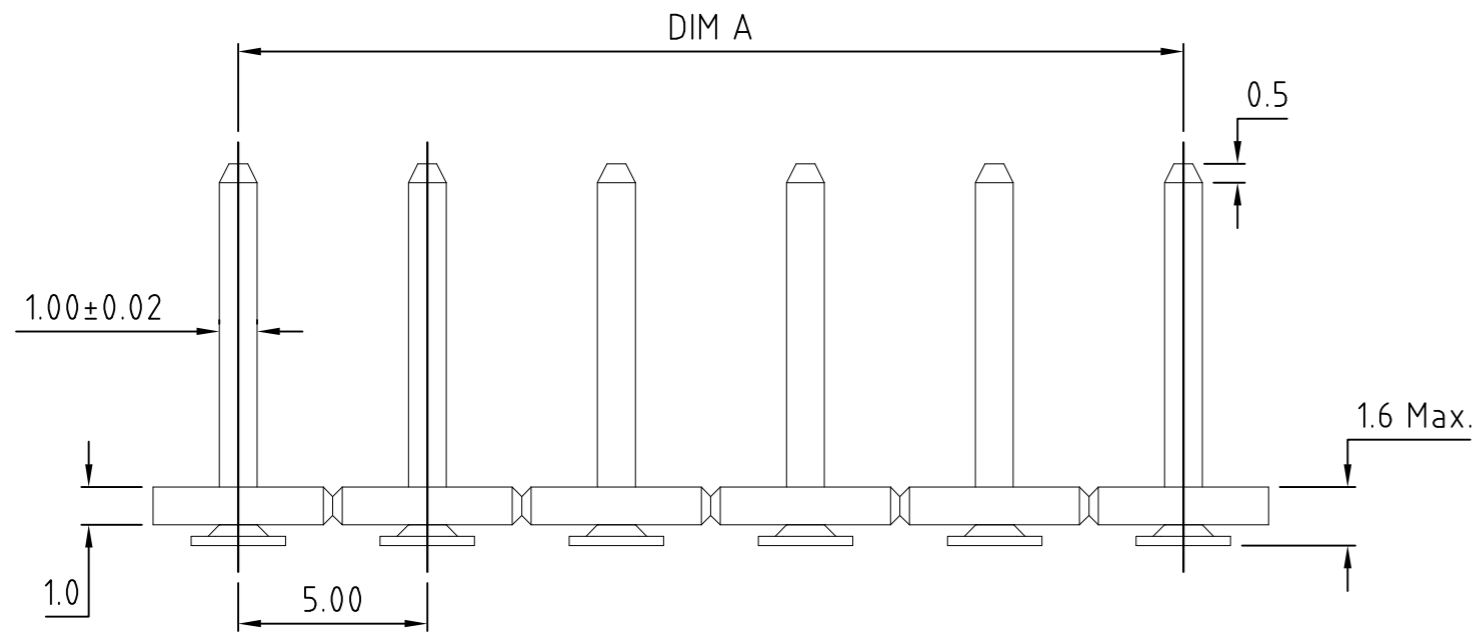
VOLTAGE RATING: 300 VAC
 CURRENT RATING: 10 A
 WITHSTANDING VOLTAGE: 1500 VAC FOR 1 MINUTE

ENVIRONMENTAL

OPERATING TEMPERATURE: -40°C TO +105°C

1 ALL MATERIALS AND FINISHES SHALL COMPLY WITH EU DIRECTIVE 2002/95/EC OF 27JAN2003 (ROHS).

2 DESIGNED FOR USE WITH TERMINAL BLOCKS 2213866.



PCB Layout

55.0	59.5	12	1-2213867-2
45.0	49.5	10	1-2213867-0
40.0	44.5	9	2213867-9
35.0	39.5	8	2213867-8
30.0	34.5	7	2213867-7
25.0	29.5	6	2213867-6
20.0	24.5	5	2213867-5
15.0	19.5	4	2213867-4
10.0	14.5	3	2213867-3
5.0	9.5	2	2213867-2
DIM B	DIM A	POSITIONS	TE PART NUMBER

THIS DRAWING IS A CONTROLLED DOCUMENT.		DWN RAVLS 03MAY2016	STE TE Connectivity	
DIMENSIONS: mm		CHK R. HILL 03MAY2016		
TOLERANCES UNLESS OTHERWISE SPECIFIED:		APVD R. HILL 03MAY2016	NAME 5.00MM PIN STRIP	
0 PLC ± - 1 PLC ± 0.3 2 PLC ± 0.01 3 PLC ± - 4 PLC ± - ANGLES ± -		PRODUCT SPEC -	SIZE A2	
MATERIAL -		FINISH -	CAGE CODE 00779	DRAWING NO C=2213867
		WEIGHT	RESTRICTED TO -	
		CUSTOMER DRAWING	SCALE 1:1	SHEET 1 of 1
			REV A	