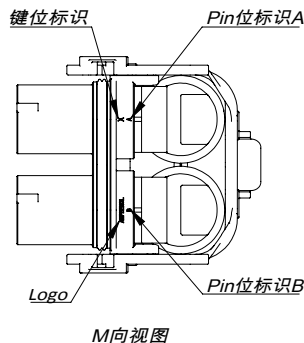
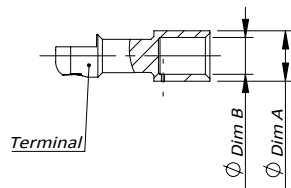
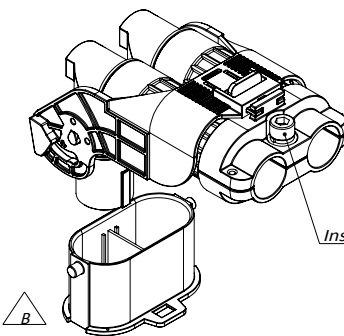
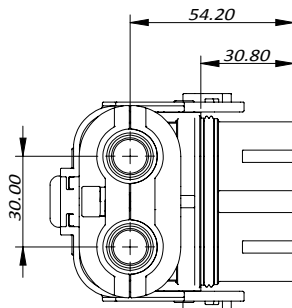
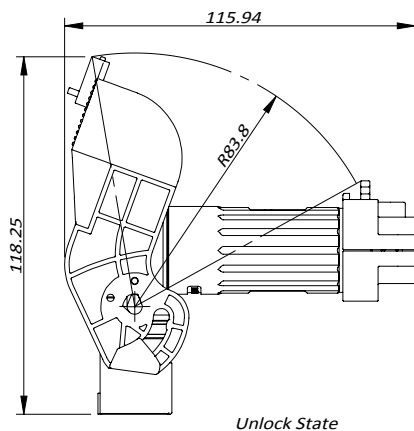
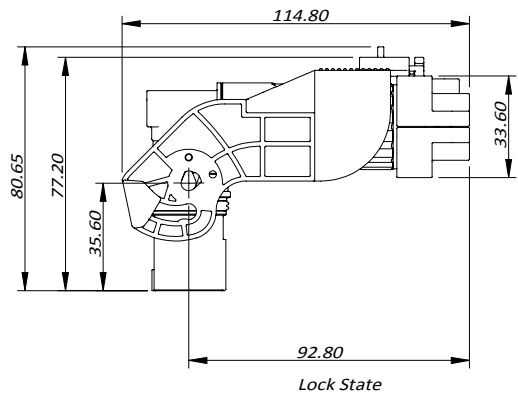
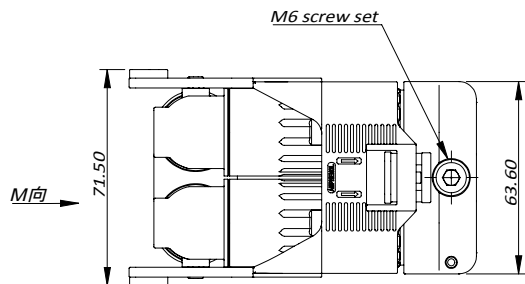


THIS DRAWING IS SUPPLIED FOR INFORMATION ONLY. DESIGN FEATURES, SPECIFICATIONS AND PERFORMANCE DATA SHOWN HEREON ARE THE PROPERTY OF THE AMPHENOL CORPORATION. NO RIGHTS OF REPRODUCTION ARE IMPLIED. ALL DIMENSIONS ARE SUBJECT TO NORMAL MANUFACTURING VARIATIONS.

CUSTOMER DRAWING



REVISIONS

REV#	ECN#	REVISION ACTION	REV.BY:	APPR.BY:	DATE
A	--	INITIAL RELEASE	JX	JL	03/09/2020
B	--	Add new parts and Key U/V	Star	James	10/13/2020
C	--	Add Package specification P/N And Protection Cap	Star	JL	03/04/2021

Standard Part List:

Model No.	H+S Part No.	Dia. Primary Insulation(mm)	Dia. of Screen max. (mm)	Overall-Dia. Nominal(mm)	Outside-Dia. of terminal(mm): "A"	Inside-Dia. of terminal(mm): "B"
PL282(X)-30X-70-2-5	84100298	13.7±0.3	14.6	17.0±0.3	16.7±0.3	12.2±0.3
PL282(X)-30X-50-2-5	84096257	11.5±0.3	12.6	14.9±0.3	14.0±0.3	10.0±0.3

订购信息 Ordering Information

PL282 X - 30 1 - 70 - 2 - 5

Key and Color

"X", Orange
"Y", Black
"U", Yellow
"V", Green

HVIL

"0", NO HVIL
"1", With HVIL

Cable Size

"70"=70mm²
"50"=50mm²

Cable Type:

"-5", Huber+Suhner

规格参数(Spec.):

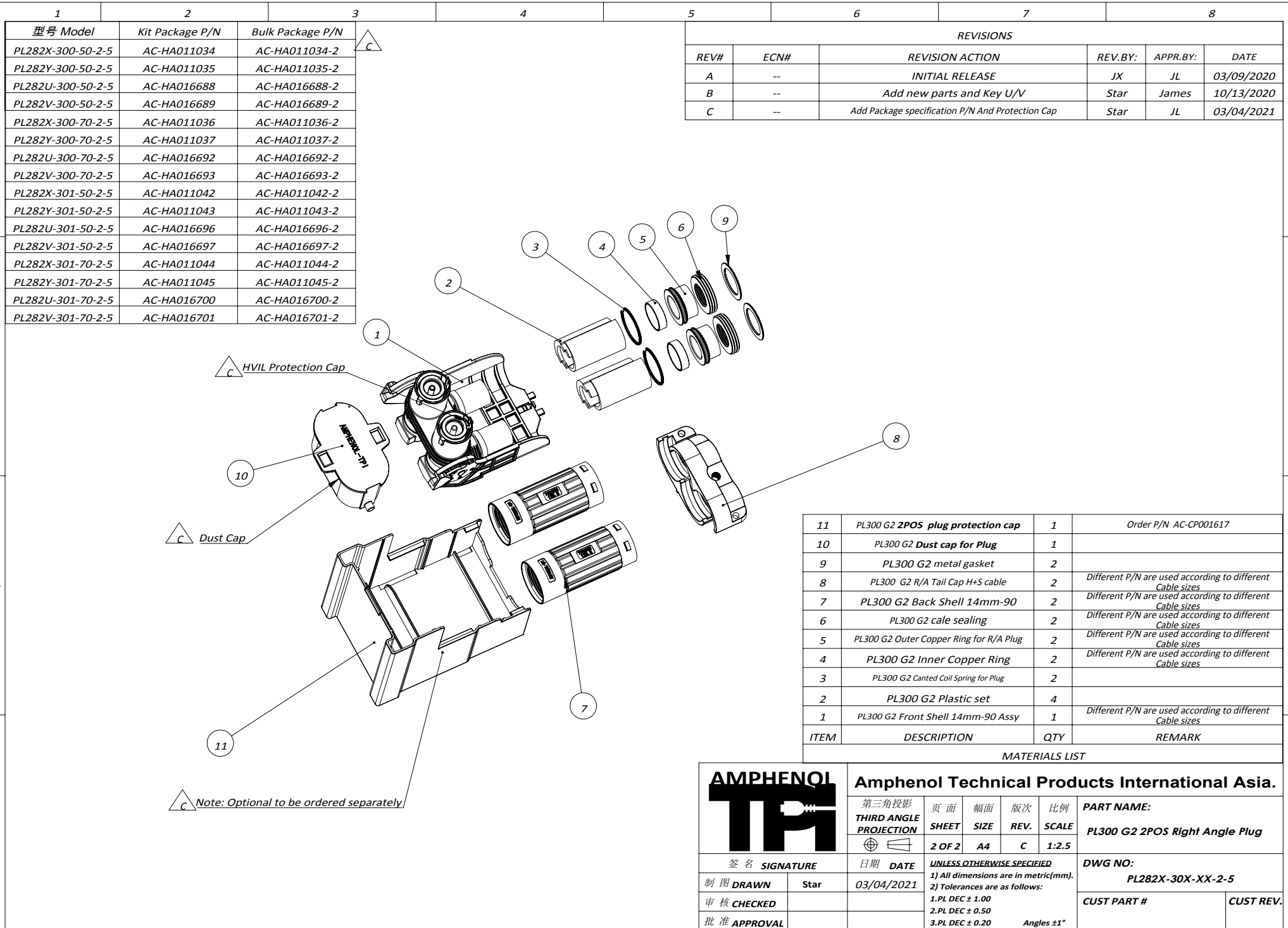
- 工作温度 Operating temperature : -40°C ~ +125°C.
- 带高压互锁 Electrical interlock (HVIL).
- 额定电流 Current rating:
Power: 50mm², 200A; 70mm², 250A; HVIL: 5A.
- 额定电压 Operating voltage:
Power: 1000 VDC; Signal: 60 VDC.
- 耐电压 Dielectric withstanding voltage:
A. 与插座对插后, Pin与铁壳之间
When mated, between pin and metal shell: 5000 VDC.
B. 与插座对插后, Pin与HVIL之间
When mated, between pin and HVIL: 5000 VDC.
C. 与插座对插后, HVIL与铁壳之间
When mated, between HVIL and metal shell: 500 VDC.
D. 与插座对插前, 两个HVIL端子之间耐压
Before mating, between two HVIL terminals: 500 VDC.
- 防护等级 Protection class: Mated-IP6k9k & IP67, unmated-IP2X.
- 电磁屏蔽 360° full Shielding.
- 机械寿命 Mating cycle: 100 Min.
- 带CPA的摇杆系统 Latch system with CPA.
- 绝缘材料满足UL94 V-0 Inner insulation material satisfy UL94V-0.
- 镀灰锌/镀锌合金, 符合RoHS, 满足500H中性盐雾实验
Gray Zinc/Nickel(ZnNi)Plating. RoHS compliant, Rated at 500hours salt spray.



Amphenol Technical Products International Asia.

第三角投影 THIRD ANGLE PROJECTION	页面 SHEET	幅面 SIZE	版次 REV.	比例 SCALE	PART NAME:
	1 OF 2	A4	C	1:2.5	PL300 G2 2POS Right Angle Plug
签名 SIGNATURE	日期 DATE	UNLESS OTHERWISE SPECIFIED 1) All dimensions are in metric(mm). 2) Tolerances are as follows: 1.PL DEC ± 1.00 2.PL DEC ± 0.50 3.PL DEC ± 0.20			DWG NO:
制图 DRAWN	Star	03/04/2021	Angles ±1°		PL282X-30X-XX-2-5
审核 CHECKED					CUST PART #
批准 APPROVAL					CUST REV.

THIS DRAWING IS SUPPLIED FOR INFORMATION ONLY. DESIGN FEATURES, SPECIFICATIONS AND PERFORMANCE DATA SHOWN HEREON ARE THE PROPERTY OF THE AMPHENOL CORPORATION. NO RIGHTS OF REPRODUCTION ARE IMPLIED. ALL DIMENSIONS ARE SUBJECT TO NORMAL MANUFACTURING VARIATIONS.



1	2	3	4	5	6	7	8
型号 Model	Kit Package P/N	Bulk Package P/N					
PL282X-300-50-2-5	AC-HA011034	AC-HA011034-2					
PL282Y-300-50-2-5	AC-HA011035	AC-HA011035-2					
PL282U-300-50-2-5	AC-HA016688	AC-HA016688-2					
PL282V-300-50-2-5	AC-HA016689	AC-HA016689-2					
PL282X-300-70-2-5	AC-HA011036	AC-HA011036-2					
PL282Y-300-70-2-5	AC-HA011037	AC-HA011037-2					
PL282U-300-70-2-5	AC-HA016692	AC-HA016692-2					
PL282V-300-70-2-5	AC-HA016693	AC-HA016693-2					
PL282X-301-50-2-5	AC-HA011042	AC-HA011042-2					
PL282Y-301-50-2-5	AC-HA011043	AC-HA011043-2					
PL282U-301-50-2-5	AC-HA016696	AC-HA016696-2					
PL282V-301-50-2-5	AC-HA016697	AC-HA016697-2					
PL282X-301-70-2-5	AC-HA011044	AC-HA011044-2					
PL282Y-301-70-2-5	AC-HA011045	AC-HA011045-2					
PL282U-301-70-2-5	AC-HA016700	AC-HA016700-2					
PL282V-301-70-2-5	AC-HA016701	AC-HA016701-2					

REVISIONS					
REV#	ECN#	REVISION ACTION	REV.BY:	APPR.BY:	DATE
A	--	INITIAL RELEASE	JX	JL	03/09/2020
B	--	Add new parts and Key U/V	Star	James	10/13/2020
C	--	Add Package specification P/N And Protection Cap	Star	JL	03/04/2021

ITEM	DESCRIPTION	QTY	REMARK
11	PL300 G2 2POS plug protection cap	1	Order P/N AC-CP001617
10	PL300 G2 Dust cap for Plug	1	
9	PL300 G2 metal gasket	2	
8	PL300 G2 R/A Tail Cap H+S cable	2	Different P/N are used according to different Cable sizes
7	PL300 G2 Back Shell 14mm-90	2	Different P/N are used according to different Cable sizes
6	PL300 G2 cale sealing	2	Different P/N are used according to different Cable sizes
5	PL300 G2 Outer Copper Ring for R/A Plug	2	Different P/N are used according to different Cable sizes
4	PL300 G2 Inner Copper Ring	2	Different P/N are used according to different Cable sizes
3	PL300 G2 Canted Coil Spring for Plug	2	
2	PL300 G2 Plastic set	4	
1	PL300 G2 Front Shell 14mm-90 Assy	1	Different P/N are used according to different Cable sizes

Amphenol Technical Products International Asia.

	第三角投影 THIRD ANGLE PROJECTION	页面 SHEET	幅面 SIZE	版次 REV.	比例 SCALE	PART NAME: PL300 G2 2POS Right Angle Plug		
签名 SIGNATURE		日期 DATE		UNLESS OTHERWISE SPECIFIED 1) All dimensions are in metric(mm). 2) Tolerances are as follows: 1.PL DEC ± 1.00 2.PL DEC ± 0.50 3.PL DEC ± 0.20			DWG NO: PL282X-30X-XX-2-5	
制图 DRAWN		审核 CHECKED		批准 APPROVAL		CUST PART #		CUST REV.
Star		03/04/2021		Angles ±1°		2 OF 2		A4