

# PTCM 0,5/ 4-PI-2,5 BK - Printed-circuit board connector



1047898

<https://www.phoenixcontact.com/us/products/1047898>

Please be informed that the data shown in this PDF document is generated from our online catalog. Please find the complete data in the user documentation. Our general terms of use for downloads are valid.



PCB connector, nominal cross section: 0.75 mm<sup>2</sup>, color: black, nominal current: 6 A, rated voltage (III/2): 160 V, contact surface: Tin, contact connection type: Pin, number of potentials: 4, number of rows: 1, number of positions: 4, number of connections: 4, product range: PTCM 0,5/..-PI, pitch: 2.5 mm, connection method: Crimp connection, conductor/PCB connection direction: 0 °, plug-in system: COMBICON PTSM, locking: Snap-in locking, mounting: Engagement nose, type of packaging: packed in cardboard

## Your advantages

- High current carrying capacity of 6 A in very compact dimensions
- Inverted connector with pin contacts for touch-proof device outputs or free-hanging cable/cable connections
- Cost-effective connection of crimped conductors in large quantities
- Tools for manual and automatic crimping available as an option

## Commercial data

Item number	1047898
Packing unit	1 pc
Minimum order quantity	250 pc
Note	Made to order (non-returnable)
Sales key	AA01
Product key	AAACP
GTIN	4055626649337
Weight per piece (including packing)	2.3 g
Weight per piece (excluding packing)	2.22 g
Customs tariff number	85389099
Country of origin	DE

# PTCM 0,5/ 4-PI-2,5 BK - Printed-circuit board connector



1047898

<https://www.phoenixcontact.com/us/products/1047898>

## Technical data

### Product properties

Product line	COMBICON Connectors XS
Product type	PCB connector
Product family	PTCM 0,5/...-PI
Number of positions	4
Pitch	2.5 mm
Number of connections	4
Number of rows	1
Number of potentials	4

### Electrical properties

Nominal current $I_N$	6 A
Nominal voltage $U_N$	160 V
Degree of pollution	3
Rated voltage (III/3)	160 V
Rated surge voltage (III/3)	2.5 kV
Rated voltage (III/2)	160 V
Rated surge voltage (III/2)	2.5 kV
Rated voltage (II/2)	320 V
Rated surge voltage (II/2)	2.5 kV

### Connection data

#### Connection technology

Type	Inverted
Connector system	COMBICON PTSM
Nominal cross section	0.75 mm <sup>2</sup>
Contact connection type	Pin

#### Interlock

Locking type	Snap-in locking
Mounting flange	Engagement nose

#### Conductor connection

Connection method	Crimp connection
Conductor/PCB connection direction	0 °
Conductor cross section flexible	0.14 mm <sup>2</sup> ... 0.75 mm <sup>2</sup> (Maximum external diameter of the insulation 1.9 mm)
Conductor cross section AWG	26 ... 18 (Maximum external diameter of the insulation 1.9 mm)
Stripping length	4.1 mm ... 4.5 mm

## Material specifications

#### Material data - housing

# PTCM 0,5/ 4-PI-2,5 BK - Printed-circuit board connector

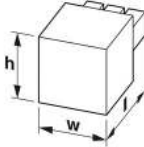


1047898

<https://www.phoenixcontact.com/us/products/1047898>

Color (Housing)	black (9005)
Insulating material	PA
Insulating material group	I
CTI according to IEC 60112	600
Flammability rating according to UL 94	V0
Glow wire flammability index GWFI according to EN 60695-2-12	850
Glow wire ignition temperature GWIT according to EN 60695-2-13	775
Temperature for the ball pressure test according to EN 60695-10-2	125 °C

## Dimensions

Dimensional drawing	
Pitch	2.5 mm
Width [w]	11.7 mm
Height [h]	5 mm
Length [l]	18.3 mm

## Mounting

Connection method	Crimp connection
-------------------	------------------

## Electrical tests

### Air clearances and creepage distances |

Specification	IEC 60664-1:2007-04
Insulating material group	I
Comparative tracking index (IEC 60112)	CTI 600
Rated insulation voltage (III/3)	160 V
Rated surge voltage (III/3)	2.5 kV
minimum clearance value - non-homogenous field (III/3)	1.5 mm
minimum creepage distance (III/3)	2 mm
Rated insulation voltage (III/2)	160 V
Rated surge voltage (III/2)	2.5 kV
minimum clearance value - non-homogenous field (III/2)	1.5 mm
minimum creepage distance (III/2)	1.5 mm
Rated insulation voltage (II/2)	320 V
Rated surge voltage (II/2)	2.5 kV
minimum clearance value - non-homogenous field (II/2)	1.5 mm
minimum creepage distance (II/2)	1.6 mm

## Packaging specifications

# PTCM 0,5/ 4-PI-2,5 BK - Printed-circuit board connector



1047898

<https://www.phoenixcontact.com/us/products/1047898>

Type of packaging	packed in cardboard
-------------------	---------------------

# PTCM 0,5/ 4-PI-2,5 BK - Printed-circuit board connector





1047898


<https://www.phoenixcontact.com/us/products/1047898>

## Approvals

To download certificates, visit the product detail page: <https://www.phoenixcontact.com/us/products/1047898>

 <b>cULus Recognized</b> Approval ID: E60425-20101209				
	Nominal voltage $U_N$	Nominal current $I_N$	Cross section AWG	Cross section $mm^2$
Use group B	150 V	5 A	22 - 18	-
Use group D	150 V	5 A	22 - 18	-

 <b>EAC</b> Approval ID: B.01687				
--	--	--	--	--

 <b>VDE Zeichengenehmigung</b> Approval ID: 40048497				
	Nominal voltage $U_N$	Nominal current $I_N$	Cross section AWG	Cross section $mm^2$
	160 V	6 A	-	0.14 - 0.75

# PTCM 0,5/ 4-PI-2,5 BK - Printed-circuit board connector



1047898

<https://www.phoenixcontact.com/us/products/1047898>

## Classifications

### ECLASS

ECLASS-11.0	27460202
ECLASS-12.0	27460202
ECLASS-13.0	27460202

### ETIM

ETIM 8.0	EC002638
----------	----------

### UNSPSC

UNSPSC 21.0	39121400
-------------	----------

# PTCM 0,5/ 4-PI-2,5 BK - Printed-circuit board connector



1047898

<https://www.phoenixcontact.com/us/products/1047898>

## Environmental product compliance

China RoHS	Environmentally friendly use period: unlimited = EFUP-e
	No hazardous substances above threshold values

# PTCM 0,5/ 4-PI-2,5 BK - Printed-circuit board connector



1047898

<https://www.phoenixcontact.com/us/products/1047898>

## Accessories

### PTCM-MP-PI 0,34-0,75 R - Crimp contact

1013987

<https://www.phoenixcontact.com/us/products/1013987>



Crimp contact, nominal current: 6 A, contact connection type: Pin, connection method: Crimp connection, contact surface: Tin, type of packaging: Belt

---

### PTCM-MP-PI 0,14-0,5 R - Crimp contact

1013988

<https://www.phoenixcontact.com/us/products/1013988>



Crimp contact, nominal current: 6 A, contact connection type: Pin, connection method: Crimp connection, contact surface: Tin, type of packaging: Belt



# PTCM 0,5/ 4-PI-2,5 BK - Printed-circuit board connector



1047898

<https://www.phoenixcontact.com/us/products/1047898>

## PTCM-MP-PI 0,34-0,75 - Crimp contact

1013989

<https://www.phoenixcontact.com/us/products/1013989>



Crimp contact, nominal current: 6 A, contact connection type: Pin, connection method: Crimp connection, contact surface: Tin, type of packaging: Bulk goods

---

## PTCM-MP-PI 0,14-0,5 - Crimp contact

1013990

<https://www.phoenixcontact.com/us/products/1013990>



Crimp contact, nominal current: 6 A, contact connection type: Pin, connection method: Crimp connection, contact surface: Tin, type of packaging: Bulk goods

# PTCM 0,5/ 4-PI-2,5 BK - Printed-circuit board connector



1047898

<https://www.phoenixcontact.com/us/products/1047898>

## CRIMPFOX-P CC 0.75 L - Crimping pliers

1064998

<https://www.phoenixcontact.com/us/products/1064998>



Crimping pliers, for COMBICON crimp connectors with cross section: 0.14 ... 0.75 mm<sup>2</sup>. Unlockable pressure lock, precise parallel crimping, front entry, B crimp, incl. 2 positioning aids

---

## PTSM 0,5/ 4-P-2,5 - Printed-circuit board connector

1778858

<https://www.phoenixcontact.com/us/products/1778858>



PCB connector, nominal cross section: 0.5 mm<sup>2</sup>, color: black, nominal current: 6 A, rated voltage (III/2): 160 V, contact surface: Tin, contact connection type: Socket, number of potentials: 4, number of rows: 1, number of positions: 4, number of connections: 4, product range: PTSM 0,5/..-P, pitch: 2.5 mm, connection method: Push-in spring connection, conductor/PCB connection direction: 0 °, plug-in system: COMBICON PTSM, locking: without, mounting: without, type of packaging: packed in cardboard

# PTCM 0,5/ 4-PI-2,5 BK - Printed-circuit board connector



1047898

<https://www.phoenixcontact.com/us/products/1047898>

## PTSM 0,5/ 4-HHI-2,5-SMD R44 - PCB header

1810735

<https://www.phoenixcontact.com/us/products/1810735>



PCB headers, nominal cross section: 0.5 mm<sup>2</sup>, color: black, nominal current: 6 A, rated voltage (III/2): 160 V, contact surface: Tin, contact connection type: Socket, number of potentials: 4, number of rows: 1, number of positions: 4, number of connections: 4, product range: PTSM 0,5/..-HHI-SMD, pitch: 2.5 mm, mounting: SMD soldering, pin layout: Linear pinning, solder pin [P]: 2 mm, number of solder pins per potential: 1, plug-in system: COMBICON PTSM, Pin connector pattern alignment: Standard, locking: without, mounting: without, type of packaging: 44 mm wide tape, Article with anti-rotation pin

---

## PTSM 0,5/ 4-HHI0-2,5-SMD R44 - PCB header

1815141

<https://www.phoenixcontact.com/us/products/1815141>



PCB headers, nominal cross section: 0.5 mm<sup>2</sup>, color: black, nominal current: 6 A, rated voltage (III/2): 160 V, contact surface: Tin, contact connection type: Socket, number of potentials: 4, number of rows: 1, number of positions: 4, number of connections: 4, product range: PTSM 0,5/..-HHI-SMD, pitch: 2.5 mm, mounting: SMD soldering, pin layout: Linear pinning, number of solder pins per potential: 1, plug-in system: COMBICON PTSM, Pin connector pattern alignment: Standard, locking: without, mounting: without, type of packaging: 44 mm wide tape

# PTCM 0,5/ 4-PI-2,5 BK - Printed-circuit board connector



1047898

<https://www.phoenixcontact.com/us/products/1047898>

## PTSM 0,5/ 4-HHI1-2,5-THR R32 - PCB header

1810803

<https://www.phoenixcontact.com/us/products/1810803>



PCB headers, nominal cross section: 0.5 mm<sup>2</sup>, color: black, nominal current: 6 A, rated voltage (III/2): 160 V, contact surface: Tin, contact connection type: Socket, number of potentials: 4, number of rows: 1, number of positions: 4, number of connections: 4, product range: PTSM 0,5/..-HHI-THR, pitch: 2.5 mm, mounting: THR soldering, pin layout: Linear pinning, solder pin [P]: 2.1 mm, number of solder pins per potential: 1, plug-in system: COMBICON PTSM, Pin connector pattern alignment: Standard, locking: without, mounting: without, type of packaging: 32 mm wide tape, Article with anti-rotation pin

---

## PTSM 0,5/ 4-HHI-2,5-THR R32 - PCB header

1815073

<https://www.phoenixcontact.com/us/products/1815073>



PCB headers, nominal cross section: 0.5 mm<sup>2</sup>, color: black, nominal current: 6 A, rated voltage (III/2): 160 V, contact surface: Tin, contact connection type: Socket, number of potentials: 4, number of rows: 1, number of positions: 4, number of connections: 4, product range: PTSM 0,5/..-HHI-THR, pitch: 2.5 mm, mounting: THR soldering, pin layout: Linear pinning, solder pin [P]: 2.1 mm, number of solder pins per potential: 1, plug-in system: COMBICON PTSM, Pin connector pattern alignment: Standard, locking: without, mounting: without, type of packaging: 32 mm wide tape

# PTCM 0,5/ 4-PI-2,5 BK - Printed-circuit board connector



1047898

<https://www.phoenixcontact.com/us/products/1047898>

## PTSM 0,5/ 4-PL-2,5 BK - Printed-circuit board connector

1709444

<https://www.phoenixcontact.com/us/products/1709444>



PCB connector, nominal cross section: 0.5 mm<sup>2</sup>, color: black, nominal current: 6 A, rated voltage (III/2): 160 V, contact surface: Tin, contact connection type: Socket, number of potentials: 4, number of rows: 1, number of positions: 4, number of connections: 4, product range: PTSM 0,5/...-PL, pitch: 2.5 mm, connection method: Push-in spring connection, conductor/PCB connection direction: 0 °, plug-in system: COMBICON PTSM, locking: Snap-in locking, mounting: Self-locking flange, type of packaging: packed in cardboard

---

## PTCM 0,5/ 4-PL-2,5 BK - Printed-circuit board connector

1048118

<https://www.phoenixcontact.com/us/products/1048118>



PCB connector, nominal cross section: 0.75 mm<sup>2</sup>, color: black, nominal current: 6 A, rated voltage (III/2): 160 V, contact surface: Tin, contact connection type: Socket, number of rows: 1, number of positions: 4, product range: PTCM 0,5/...-PL, pitch: 2.5 mm, connection method: Crimp connection, conductor/PCB connection direction: 0 °, plug-in system: COMBICON PTSM, locking: Snap-in locking, mounting: Self-locking flange, type of packaging: packed in cardboard

# PTCM 0,5/ 4-PI-2,5 BK - Printed-circuit board connector



1047898

<https://www.phoenixcontact.com/us/products/1047898>

## CAC-PTCM1015462/D - Cable

1084513

<https://www.phoenixcontact.com/us/products/1084513>



Assembled PCB connector / Connecting cable with 2 printed circuit board connectors, rated current: 6 A, cable length: Free input (0.1 ... 3.0 m), Head 1: 4-position , pitch: 2.5 mm , Crimp connection , Socket, Color: white, Cable type: Individual litz wire, PVC, 22 AWG, white, Head 2: 4-position, pitch: 2.5 mm , Crimp connection , Socket, Color: white, Cable type: Individual litz wire, PVC, 20 AWG, white, Individual litz wire, PVC, 22 AWG, white

---

## CAC-PTCM1015462/1015244 - Assembled PCB connectors

1084535

<https://www.phoenixcontact.com/us/products/1084535>



Assembled PCB connector / Connecting cable with 2 printed circuit board connectors, rated current: 6 A, cable length: Free input (0.1 ... 3.0 m), Head 1: 4-position , pitch: 2.5 mm , Crimp connection , Socket, Color: white, Cable type: Individual litz wire, PVC, 22 AWG, white, Head 2: 4-position, pitch: 2.5 mm , Crimp connection , Pin, Color: white, Cable type: Individual litz wire, PVC, 20 AWG, white, Individual litz wire, PVC, 22 AWG, white

---

Phoenix Contact 2023 © - all rights reserved  
<https://www.phoenixcontact.com>

Phoenix Contact USA  
586 Fulling Mill Road  
Middletown, PA 17057, United States  
(+717) 944-1300  
[info@phoenixcon.com](mailto:info@phoenixcon.com)