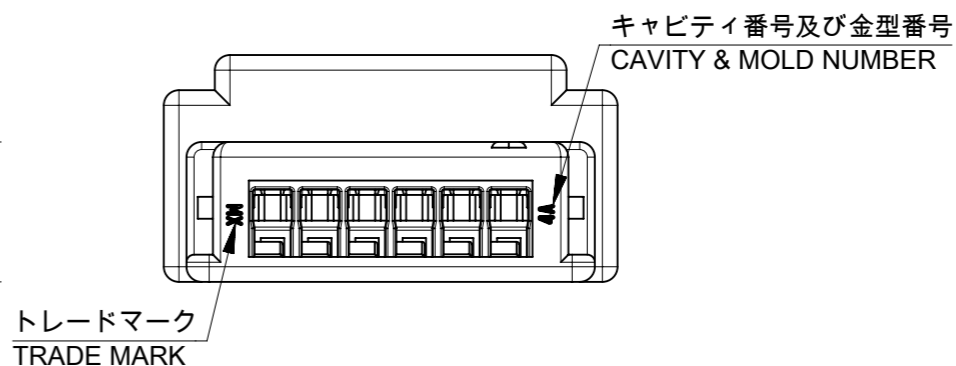
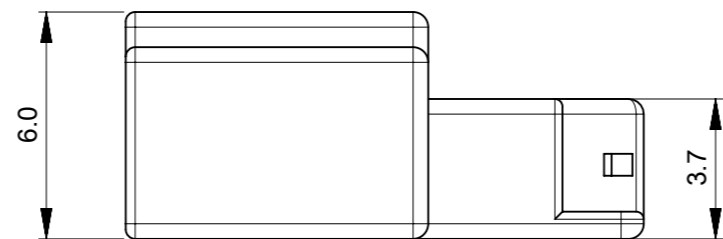
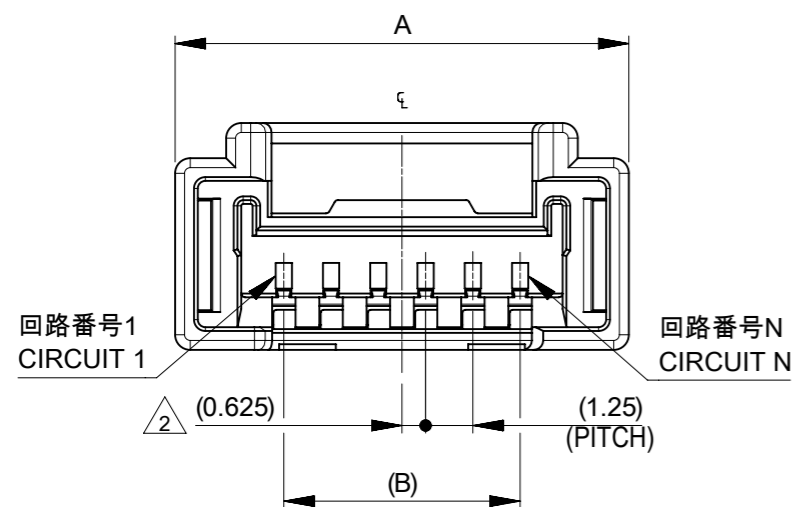
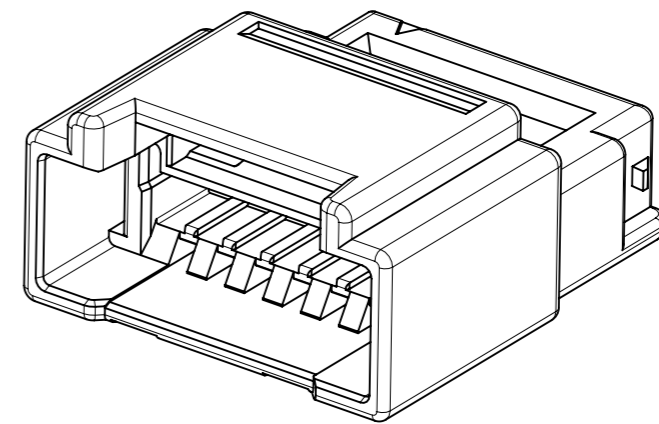
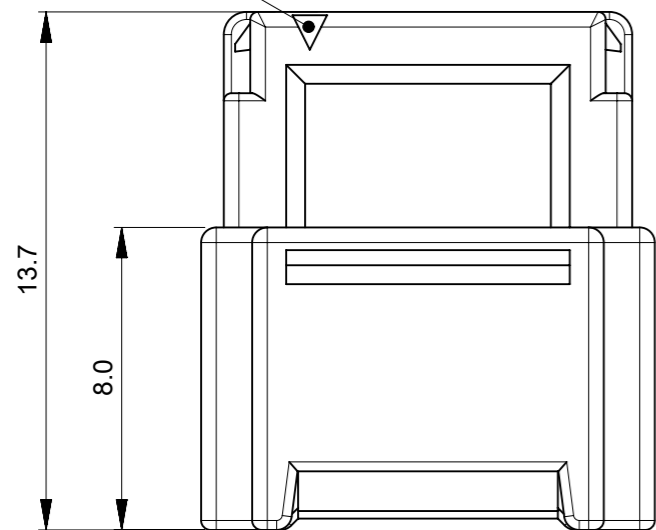


回路番号1マーク  
CIRCUIT 1 MARK



注記 NOTE

- ① 材料：TABLE 1参照  
MATERIAL：SEE TABLE 1.
- ② 偶数極に適用。  
APPLY TO EVEN CIRCUIT.
- ③ 製品仕様書、コネクタ取扱説明書、適合嵌合相手、適合端子、  
適合リテーナーはSHEET 3をご参照ください。  
PLEASE REFER TO SHEET 3 FOR PRODUCT SPECIFICATION,  
APPLICATION SPECIFICATION, MATE WITH,  
APPLICABLE CRIMP TERMINAL, APPLICABLE RETAINER.
- ④ 発注番号：SHEET 3 参照  
ORDER NUMBER：PLEASE REFER TO SHEET 3

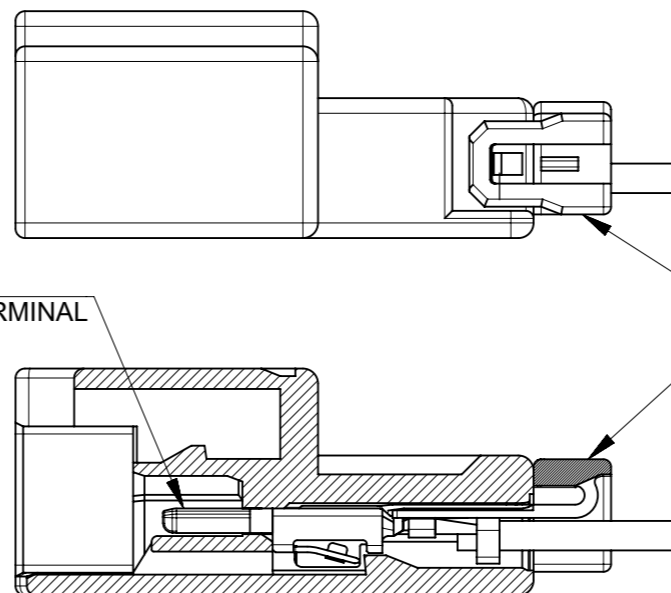
2145252\*\*\*

極数  
CIRCUIT SIZE

| 番号<br>NO. | ハウジングカラー<br>HOUSING COLOR  |
|-----------|----------------------------|
| 0         | ナチュラル(白)<br>NATURAL(WHITE) |
| 1         | 黒 BLACK                    |
| 2         | 赤 RED                      |
| 3         | 黄 YELLOW                   |
| 4         | 青 BLUE                     |

圧着端子  
CRIMP TERMINAL

リテーナー  
RETAINER



圧着端子 & リテーナー 装着図  
CRIMP TERMINAL & RETAINER  
ASSEMBLY DRAWING

|      |       |                    |
|------|-------|--------------------|
| 10   | 15.75 | 9                  |
| 8.75 | 14.5  | 8                  |
| 7.5  | 13.25 | 7                  |
| 6.25 | 12    | 6                  |
| 5    | 10.75 | 5                  |
| 3.75 | 9.5   | 4                  |
| 2.5  | 8.25  | 3                  |
| 1.25 | 7     | 2                  |
| B    | A     | 極数<br>CIRCUIT SIZE |

THIS DRAWING CONTAINS INFORMATION THAT IS PROPRIETARY TO MOLEX ELECTRONIC TECHNOLOGIES, LLC AND SHOULD NOT BE USED WITHOUT WRITTEN PERMISSION

| DIMENSION UNITS                                      | SCALE  | CURRENT REV DESC.           |
|--|--------|-----------------------------|
| mm   | NTS    |                             |
| GENERAL TOLERANCES (UNLESS SPECIFIED)                |        |                             |
| ANGULAR TOL  | ± 3.0° |                             |
| 4 PLACES   | ± 0.2  | EC NO: 736271               |
| 3 PLACES   | ± 0.2  | DRWN: SOKUMURA01 2022/12/27 |
| 2 PLACES   | ± 0.2  | CHK'D: SAKIYAMA 2023/02/16  |
| 1 PLACE  | ± 0.2  | APPR: AIDA 2023/02/16       |
| 0 PLACES   | ± 0.2  | INITIAL REVISION:           |
|  |        | DRWN: TENAGASE 2020/08/17   |
|  |        | APPR: AIDA 2022/07/04       |
| DRAFT WHERE APPLICABLE MUST REMAIN WITHIN DIMENSIONS |        |                             |
| THIRD ANGLE PROJECTION                               |        |                             |
| DRAWING SERIES MATERIAL NUMBER CUSTOMER SHEET NUMBER |        |                             |
| A3-SIZE  | 214525 | SEE SHEET 3 GENERAL 1 OF 3  |

**molex**

MICRO-LOCK PLUS 1.25 W/W  
SINGLE ROW PLUG HOUSING

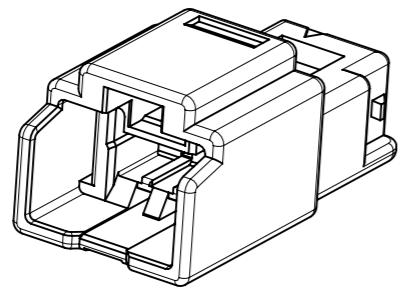
PRODUCT CUSTOMER DRAWING

DOCUMENT NUMBER: 2145250000-SD  
DOC TYPE: PSD  
DOC PART: 000  
REVISION: C

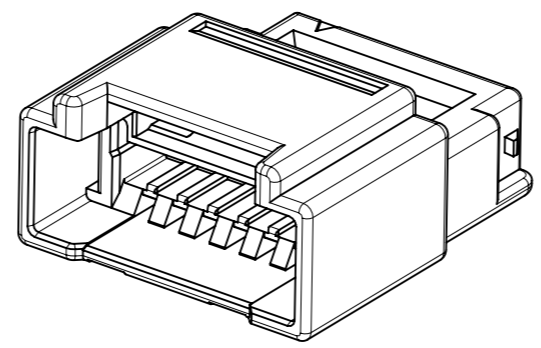
TABLE 1

| 部品<br>PART       | 材質<br>MATERIAL   |
|------------------|--|
| ハウジング<br>HOUSING | ポリアミド(PA), UL94 V-0, 色: SHEET3参照<br>POLYAMIDE(PA), UL94 V-0, COLOR: SEE SHEET 3. |
| DOCUMENT STATUS  | P1 RELEASE DATE 2023/02/16 15:22:36  |

製品形状  
PRODUCT SHAPE

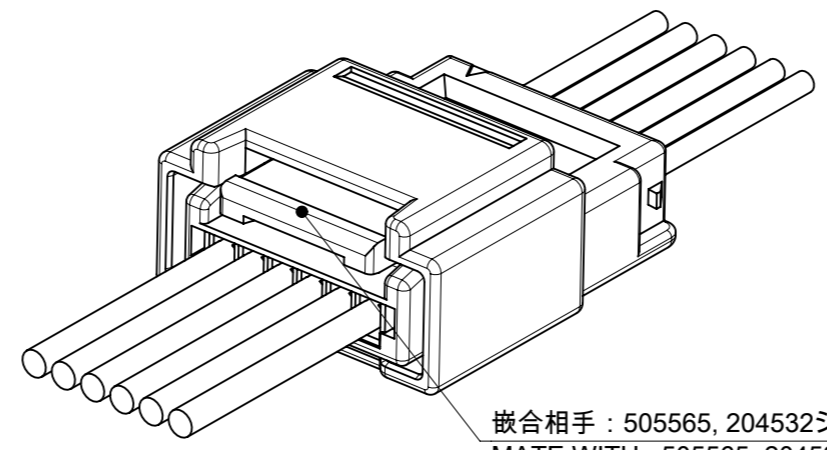
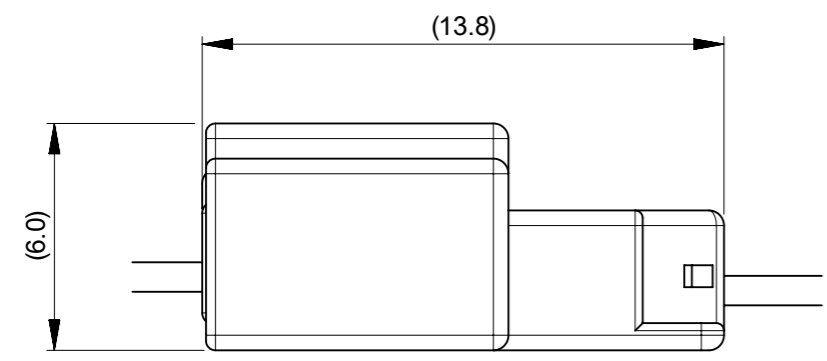


2-4極  
2-4 CIRCUIT

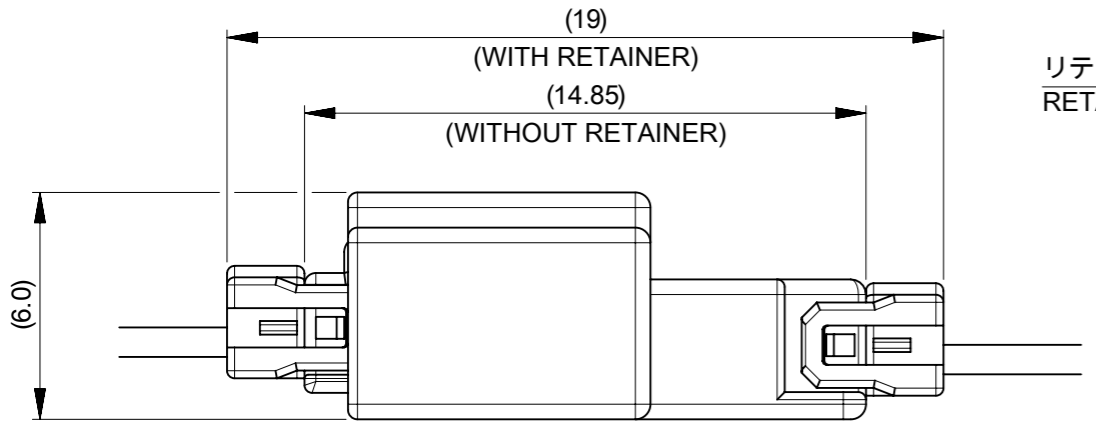


5-9極  
5-9 CIRCUIT

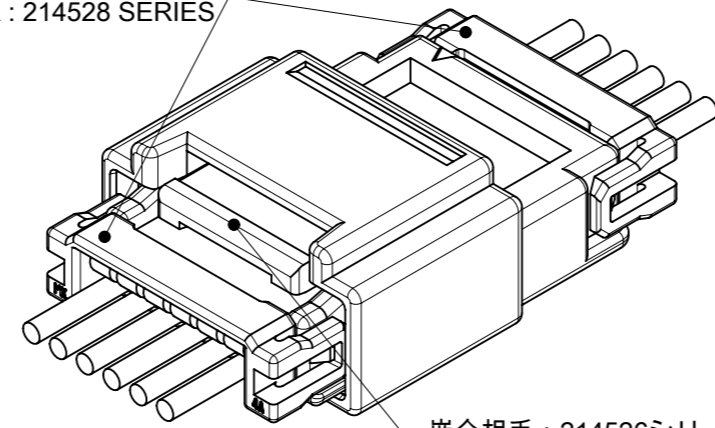
嵌合図  
MATED CONNECTORS



嵌合相手 : 505565, 204532シリーズ  
MATE WITH : 505565, 204532 SERIES



リテーナー : 214528シリーズ  
RETAINER : 214528 SERIES



嵌合相手 : 214526シリーズ  
MATE WITH : 214526 SERIES

|   |  |                        |  |  |  |            |  |                 |  |
|---|--|------------------------|--|--|--|------------|--|-----------------|--|
| THIS DRAWING CONTAINS INFORMATION THAT IS PROPRIETARY TO MOLEX ELECTRONIC TECHNOLOGIES, LLC AND SHOULD NOT BE USED WITHOUT WRITTEN PERMISSION |  |                        |  |  |  |            |  |                 |  |
| DIMENSION UNITS   |  | SCALE                  |  | CURRENT REV DESC:  |  |            |  |                 |  |
| mm  |  | NTS                    |  | <div style="text-align: center; font-size: 24pt; font-weight: bold;">molex</div> <p>MICRO-LOCK PLUS 1.25 W/W<br/>SINGLE ROW PLUG HOUSING</p> <p>PRODUCT CUSTOMER DRAWING</p> |  |            |  |                 |  |
| GENERAL TOLERANCES (UNLESS SPECIFIED)   |  |                        |  |  |  |            |  |                 |  |
| ANGULAR TOL   |  | ± 3.0 °                |  |  |  |            |  |                 |  |
| 4 PLACES  |  | ± 0.2                  |  |  |  |            |  |                 |  |
| 3 PLACES  |  | ± 0.2                  |  |  |  |            |  |                 |  |
| 2 PLACES  |  | ± 0.2                  |  | EC NO: 736271  |  | 2022/12/27 |  | DOCUMENT NUMBER |  |
| 1 PLACE   |  | ± 0.2                  |  | DRWN: SOKUMURA01   |  | 2023/02/16 |  | 2145250000-SD   |  |
| 0 PLACES  |  | ± 0.2                  |  | CHK'D: SAKIYAMA  |  | 2023/02/16 |  | PSD 000 C       |  |
| DRAFT WHERE APPLICABLE MUST REMAIN WITHIN DIMENSIONS  |  | THIRD ANGLE PROJECTION |  | DRAWING  |  | SERIES     |  | MATERIAL NUMBER |  |
|   |  |                        |  | A3-SIZE  |  | 214525     |  | SEE SHEET 3     |  |
|   |  |                        |  |  |  |            |  | CUSTOMER        |  |
|   |  |                        |  |  |  |            |  | GENERAL         |  |
|   |  |                        |  |  |  |            |  | SHEET NUMBER    |  |
|   |  |                        |  |  |  |            |  | 2 OF 3          |  |

△ 3 適合製品及び各種仕様書 APPLICABLE PRODUCTS AND VARIOUS SPECIFICATIONS

|                                  |                       |
|----------------------------------|-----------------------|
| 梱包仕様書<br>PACKAGING SPECIFICATION | 2145259200-SPK PS 200 |
|----------------------------------|-----------------------|


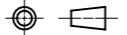
|                                     |             |              |                |
|-------------------------------------|-------------|--------------|----------------|
| 適合プラグ端子<br>APPLICABLE PLUG TERMINAL | PART NUMBER | PLATING TYPE | WIRE SIZE(AWG) |
|                                     | 2145241000  | TIN          | #26-30         |

|                                |               |
|--------------------------------|---------------|
| 適合リテーナー<br>APPLICABLE RETAINER | SERIES NUMBER |
|                                | 214528        |

|  |                         |                      |             |                               |                                      |
|--|-------------------------|----------------------|-------------|-------------------------------|--------------------------------------|
| 適合嵌合相手<br>MATE WITH                    | タイプ<br>TYPE             | NORMAL               | LOW HALOGEN | TPA (RETAINER)                |                                      |
|  | シリーズ番号<br>SERIES NUMBER | 505565               | 204532      | 214526                        |                                      |
| ローハロゲン対応<br>LOW HALOGEN COMPLIANT      |                         | NOT COMPLIANT        | COMPLIANT   | COMPLIANT<br>(NATURAL, BLACK) | NOT COMPLIANT<br>(RED, YELLOW, BLUE) |
| 製品仕様書<br>PRODUCT SPECIFICATION         |                         | 5055650003-PS PS 000 |             | 2145260002-PS PS 000          |                                      |
| コネクタ取扱説明書<br>APPLICATION SPECIFICATION |                         | 5055650000-AS PS 000 |             |                               |                                      |

△ 4 2145252\*\*\* 発注番号一覧 ORDER NUMBER LIST

| BLUE                                  | YELLOW        | RED           | BLACK      | NATURAL<br>(WHITE) | HOUSING<br>COLOR         |
|---------------------------------------|---------------|---------------|------------|--------------------|--------------------------|
| NOT COMPLIANT                         | NOT COMPLIANT | NOT COMPLIANT | COMPLIANT  | COMPLIANT          | LOW HALOGEN<br>COMPLIANT |
| 2145252094                            | 2145252093    | 2145252092    | 2145252091 | 2145252090         | 9                        |
| 2145252084                            | 2145252083    | 2145252082    | 2145252081 | 2145252080         | 8                        |
| 2145252074                            | 2145252073    | 2145252072    | 2145252071 | 2145252070         | 7                        |
| 2145252064                            | 2145252063    | 2145252062    | 2145252061 | 2145252060         | 6                        |
| 2145252054                            | 2145252053    | 2145252052    | 2145252051 | 2145252050         | 5                        |
| 2145252044                            | 2145252043    | 2145252042    | 2145252041 | 2145252040         | 4                        |
| 2145252034                            | 2145252033    | 2145252032    | 2145252031 | 2145252030         | 3                        |
| 2145252024                            | 2145252023    | 2145252022    | 2145252021 | 2145252020         | 2                        |
| 発注番号 ORDER NUMBER                     |               |               |            |                    | 極数<br>CIRCUIT SIZE       |
| 梱包形態：ポリ袋<br>PACKAGING：POLYBAG PACKAGE |               |               |            |                    |                          |

|   |   |                             |        |   |   |              |  |  |  |
|---|---|-----------------------------|--------|---|---|--------------|--|--|--|
| THIS DRAWING CONTAINS INFORMATION THAT IS PROPRIETARY TO MOLEX ELECTRONIC TECHNOLOGIES, LLC AND SHOULD NOT BE USED WITHOUT WRITTEN PERMISSION |   |                             |        |   |   |              |  |  |  |
| DIMENSION UNITS   | SCALE   | CURRENT REV DESC:           |        |   |  |              |  |  |  |
| mm  | NTS   |                             |        |   |   |              |  |  |  |
| GENERAL TOLERANCES<br>(UNLESS SPECIFIED)  |   | EC NO: 736271               |        |   | MICRO-LOCK PLUS 1.25 W/W<br>SINGLE ROW PLUG HOUSING                                   |              |  |  |  |
| ANGULAR TOL ± 3.0 °   |   | DRWN: SOKUMURA01 2022/12/27 |        |   |   |              |  |  |  |
| 4 PLACES ± 0.2  | CHK'D: SAKIYAMA 2023/02/16  |                             |        | PRODUCT CUSTOMER DRAWING  |   |              |  |  |  |
| 3 PLACES ± 0.2  | APPR: AIDA 2023/02/16   |                             |        |   |   |              |  |  |  |
| 2 PLACES ± 0.2  | INITIAL REVISION:   |                             |        | DOCUMENT NUMBER: 2145250000-SD<br>DOC TYPE: PSD<br>DOC PART: 000<br>REVISION: C |   |              |  |  |  |
| 1 PLACE ± 0.2   | DRWN: TENAGASE 2020/08/17   |                             |        |   |   |              |  |  |  |
| 0 PLACES ± 0.2  | APPR: AIDA 2022/07/04   |                             |        |   |   |              |  |  |  |
| DRAFT WHERE APPLICABLE<br>MUST REMAIN<br>WITHIN DIMENSIONS  | THIRD ANGLE PROJECTION  | DRAWING                     | SERIES | MATERIAL NUMBER   | CUSTOMER  | SHEET NUMBER |  |  |  |
|   |  | A3-SIZE                     | 214525 | SEE CHART   | GENERAL   | 3 OF 3       |  |  |  |