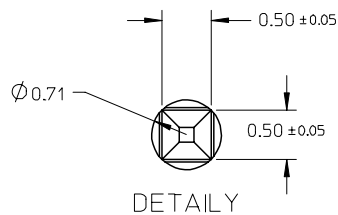
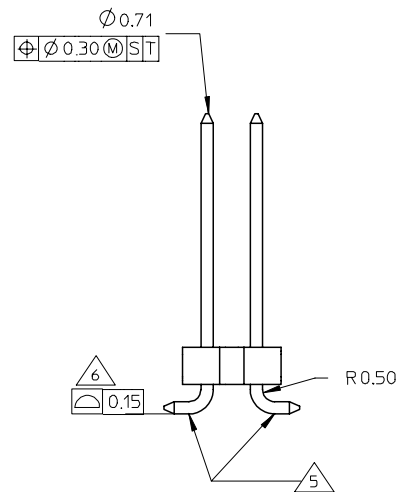
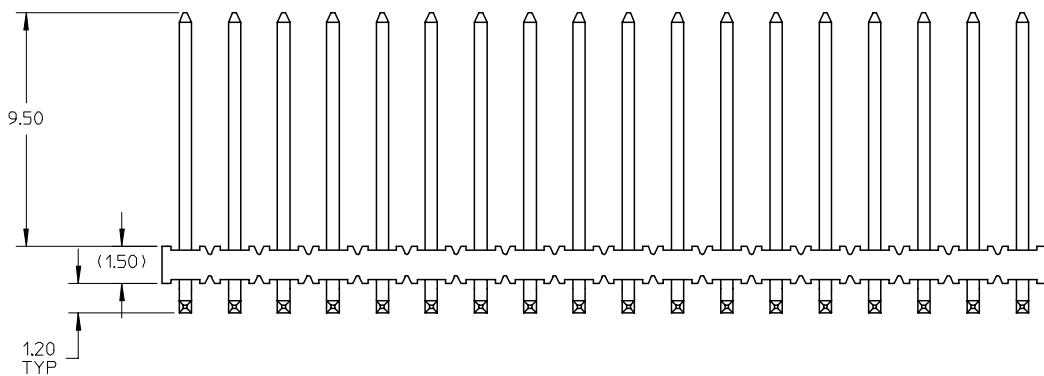


- NOTE:**
- MATERIAL:**
HSG & CAP - HIGH TEMPERATURE THERMOPLASTIC, UL 94V-0, COLOUR BLACK
PIN - 0.50 SQ PHOSPHOR BRONZE
 - PLATING:**
0.38um MIN GOLD PLATE AT CONTACT AREA,
TIN PLATE AT SOLDER AREA,
BOTH OVER NICKEL UNDERPLATE
 - PIN PUSHOUT FORCE:** 1KG MIN IN EITHER DIRECTION
 - PRODUCT SPEC** PS-87761-100 APPLIES.
 - BEND DEPRESSION** IS ACCEPTABLE SO LONG AS IT DOES NOT AFFECT THE OVERALL COPLANARITY OF TAIL.
 - COPLANARITY** IS TO BE MEASURED BY RESTING THE SOLDER TAIL ON A FLAT SURFACE.
 - FOR ILLUSTRATION PURPOSES, 36CKT IS SHOWN
 - TUBE LENGTH IS 560MM REF STANDARD.
 - RECOMMENDED PCB BOARD THK IS 1.60±0.10 MM.



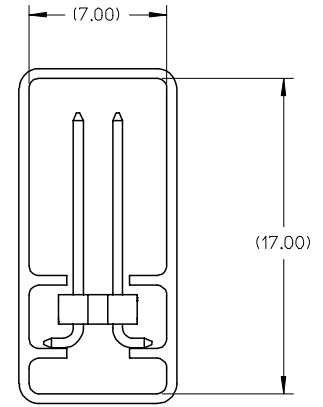
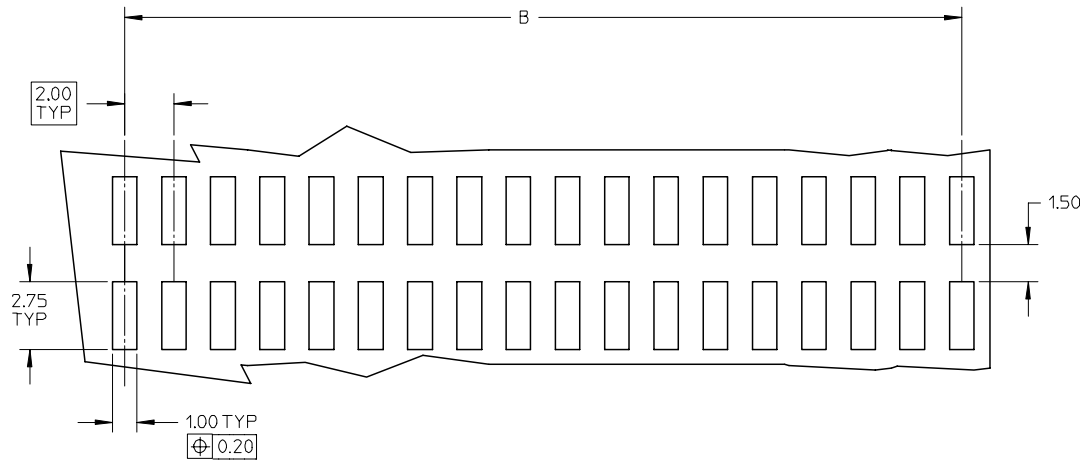
REVISED TUBE SPEC
EC NO: S2007-0829
DRWNS:KLI/M01
CHKD:CLAM
APPR:KWLEE

REV	DESCRIPTION
B	

QUALITY SYMBOLS	GENERAL TOLERANCES (UNLESS SPECIFIED)																								
▽=0																									
▽C=0																									
	<table border="1"> <tr> <th colspan="2">mm</th> <th colspan="2">INCH</th> </tr> <tr> <td>4 PLACES</td> <td>± ---</td> <td>± ---</td> <td>± ---</td> </tr> <tr> <td>3 PLACES</td> <td>± ---</td> <td>± ---</td> <td>± ---</td> </tr> <tr> <td>2 PLACES</td> <td>± 0.2</td> <td>± ---</td> <td>± ---</td> </tr> <tr> <td>1 PLACE</td> <td>± ---</td> <td>± ---</td> <td>± ---</td> </tr> <tr> <td colspan="4">ANGULAR ± 3 °</td> </tr> </table>	mm		INCH		4 PLACES	± ---	± ---	± ---	3 PLACES	± ---	± ---	± ---	2 PLACES	± 0.2	± ---	± ---	1 PLACE	± ---	± ---	± ---	ANGULAR ± 3 °			
mm		INCH																							
4 PLACES	± ---	± ---	± ---																						
3 PLACES	± ---	± ---	± ---																						
2 PLACES	± 0.2	± ---	± ---																						
1 PLACE	± ---	± ---	± ---																						
ANGULAR ± 3 °																									
	DRAFT WHERE APPLICABLE MUST REMAIN WITHIN DIMENSIONS																								

DIMENSION STYLE		SCALE	DESIGN UNITS	THIRD ANGLE PROJECTION
MM ONLY		NTS	METRIC	
DRAWN BY	DATE	TITLE		
KSEE	2004/04/21	CUSTOM HEADER		
CHECKED BY	DATE	MGRID 2MM HEADER		
PTL IM	2004/04/22	SMT		
APPROVED BY	DATE	MOLEX INCORPORATED		
SCLOW	2004/04/27	MOLEX INCORPORATED		
MATERIAL NO.	DOCUMENT NO.	SHEET NO.		
	SD-87759-161	1 OF 2		
SIZE	THIS DRAWING CONTAINS INFORMATION THAT IS PROPRIETARY TO MOLEX INCORPORATED AND SHOULD NOT BE USED WITHOUT WRITTEN PERMISSION			
A3				

PART NUMBER WITHOUT CAP IN TUBE	CKT SIZE	A	B
87759-0013	16	15.90	14.00
87759-0014	36	35.90	34.00



**PART IN TUBE
ORIENTATION**

REVISED TUBE SPEC
 EC NO: S2007-0829 2007/04/10
 DRWN:SKLIM01 2007/04/12
 CHKD:CWAM 2007/04/12
 APPR:KWLEE 2007/04/17

QUALITY SYMBOLS
 $\blacktriangledown = 0$
 $\nabla = 0$

	GENERAL TOLERANCES (UNLESS SPECIFIED)	
	mm	INCH
4 PLACES	\pm ---	\pm ---
3 PLACES	\pm ---	\pm ---
2 PLACES	± 0.2	\pm ---
1 PLACE	\pm ---	\pm ---
ANGULAR $\pm 3^\circ$		
DRAFT WHERE APPLICABLE MUST REMAIN WITHIN DIMENSIONS		

DIMENSION STYLE MM ONLY	
DRAWN BY	DATE
KSEE	2004/04/21
CHECKED BY	DATE
PTL IM	2004/04/22
APPROVED BY	DATE
SCLOW	2004/04/27
MATERIAL NO.	
SEE TABLE	
SIZE	
A3	

SCALE NTS	DESIGN UNITS METRIC	THIRD ANGLE PROJECTION
TITLE CUSTOM HEADER MGRID 2MM HEADER SMT		
MOLEX INCORPORATED		
DOCUMENT NO. SD-87759-161	SHEET NO. 2 OF 2	