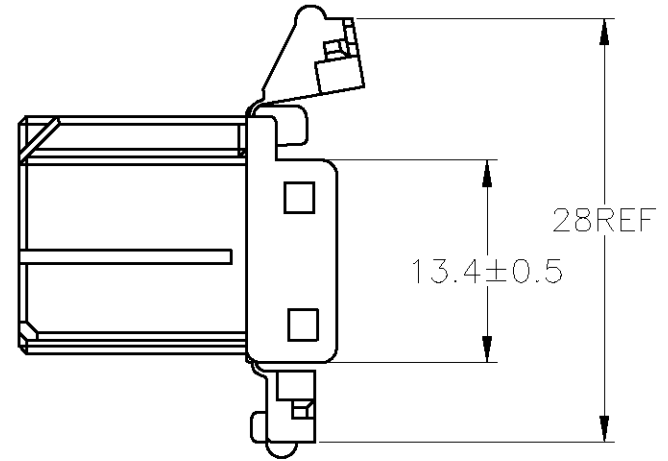
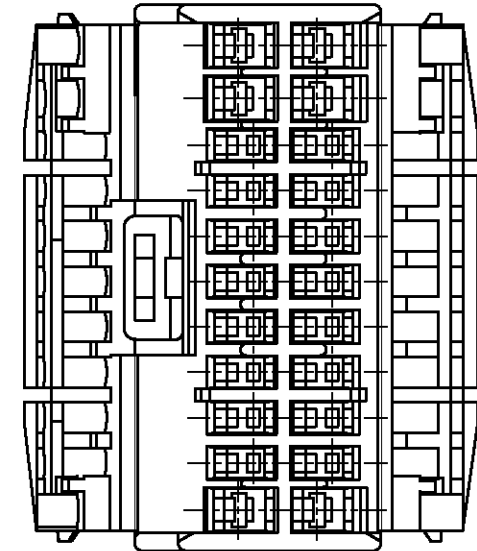
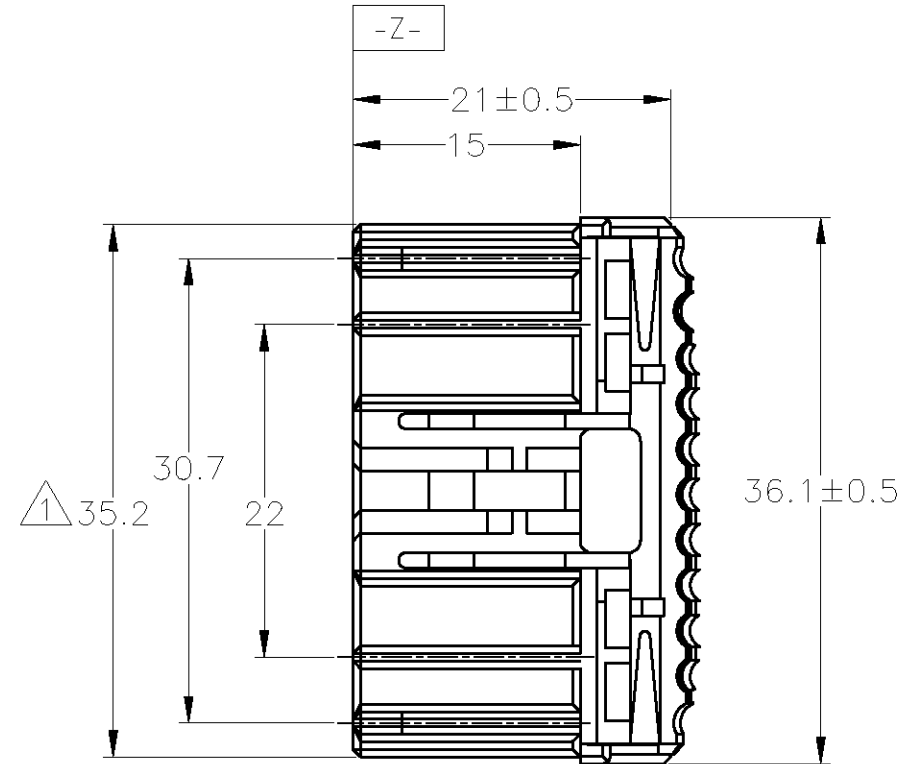
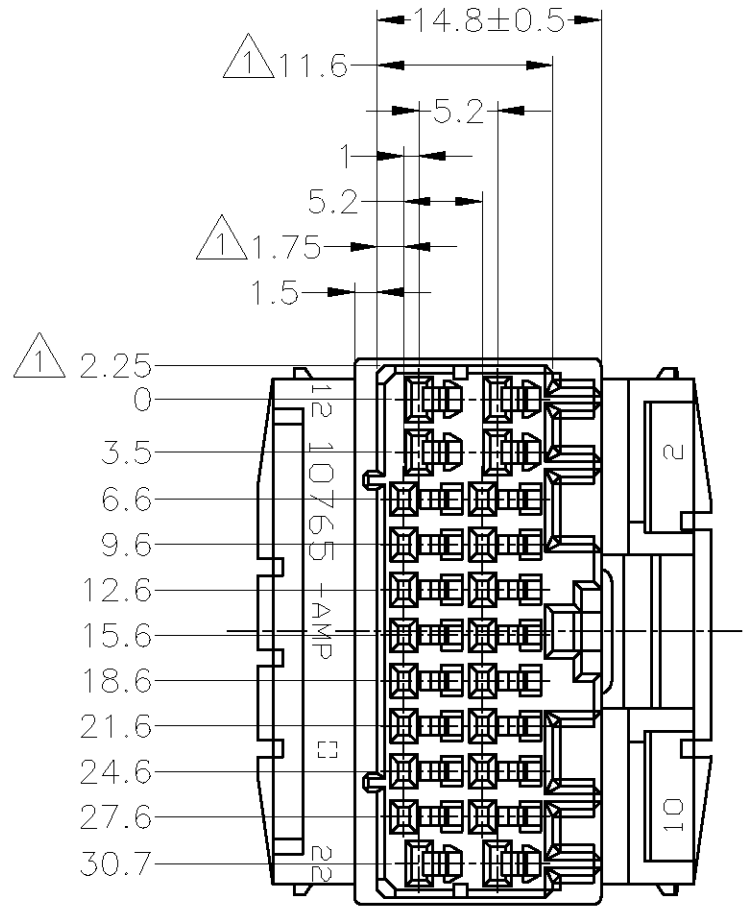


THIS DRAWING IS UNPUBLISHED. RELEASED FOR PUBLICATION
 © COPYRIGHT - By - ALL RIGHTS RESERVED.

LOC	DIST	REVISIONS			
P	LTR	DESCRIPTION	DATE	DWN	APVD
J	-	D3	OBSOLETE 6-174515-6	ECR-12-008456	09MAY2012 TS KB



- ① MUST BE KEPT BETWEEN [-Z-] AND 2mm.
 2. THE MATING CAP HOUSING PART NUMBER ; 174518
 3. APPLIED CONTACT PART NUMBER ; 173631, 173716, 173630, 175094
 4. APPLICABLE PRODUCT SPECIFICATION NUMBER ; 108-5280
- ① [-Z-] 面より 2mm の範囲で測定
 2. 嵌合相手ハウジング型番 ; 174518
 3. 内装するリセプタクルコンタクト型番 ; 173631, 173716, 173630, 175094
 4. 適用製品規格番号 ; 108-5280

OBSOLETE	黄 YELLOW	174515-7
	淡灰 LIGHT GRAY	6-174515-6
	灰 GRAY	174515-6
	青 BLUE	174515-5
	白 WHITE	174515-1
	色 COLOR	PART NUMBER

TOLERANCE UNLESS OTHERWISE SPECIFIED:
 一般公差

0 < x ≤ 10	: ±0.2
10 < x ≤ 30	: ±0.25
30 < x ≤ 100	: ±0.3
ANGLE ; 角度	: ±3°

THIS DRAWING IS A CONTROLLED DOCUMENT.

DIMENSIONS: mm	TOLERANCES UNLESS OTHERWISE SPECIFIED:	DWN T.SHINOHARA 06SEP10	TE Connectivity
	0 PLC ± -	CHK K.BETSUI 06SEP10	
	1 PLC ± -	APVD K.BETSUI 06SEP10	
MATERIAL PBT	FINISH -	NAME	

PRODUCT SPEC: SEE NOTE 4
 APPLICATION SPEC: -
 WEIGHT: -

HYBRID I/O CONNECTOR
 22 POSITION PLUG HOUSING

SIZE	CAGE CODE	DRAWING NO	RESTRICTED TO
A3	00779	C-174515	-

CUSTOMER DRAWING SCALE 2:1 SHEET 1 OF 1 REV D3