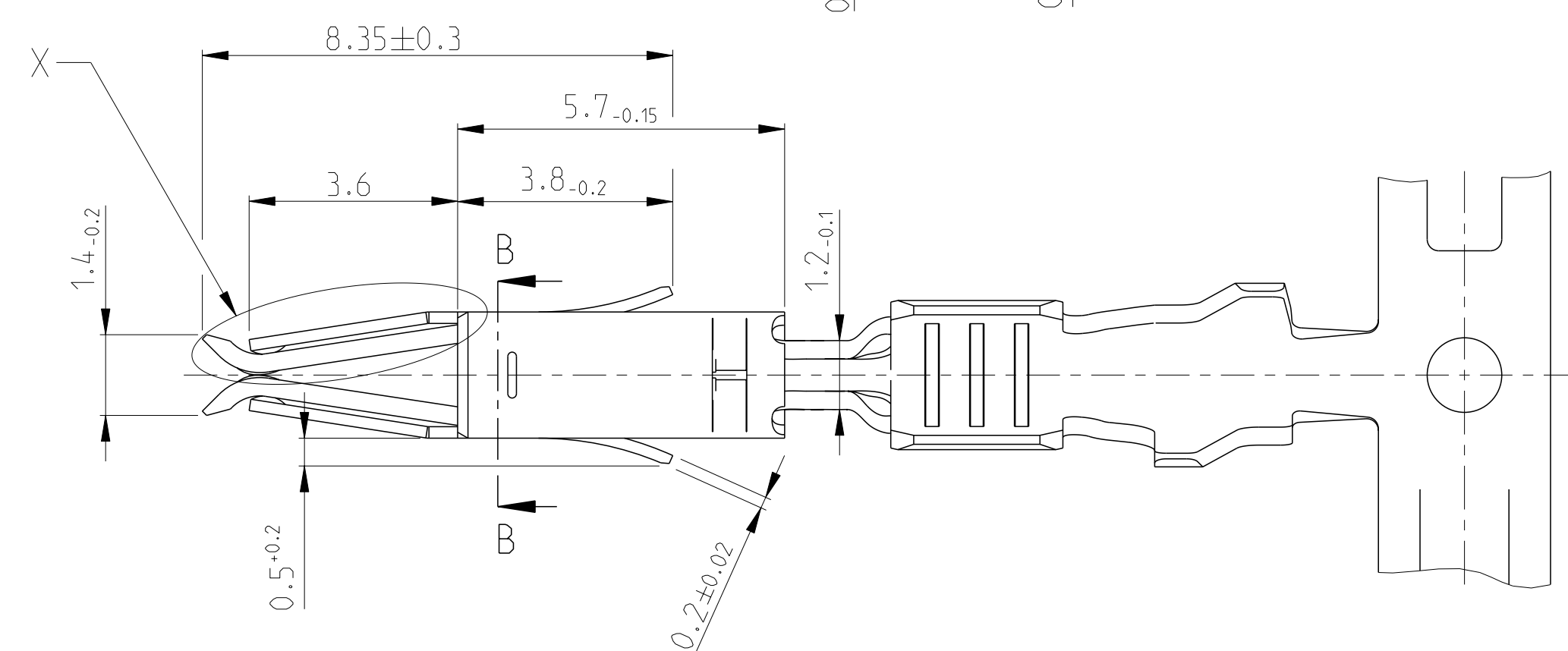
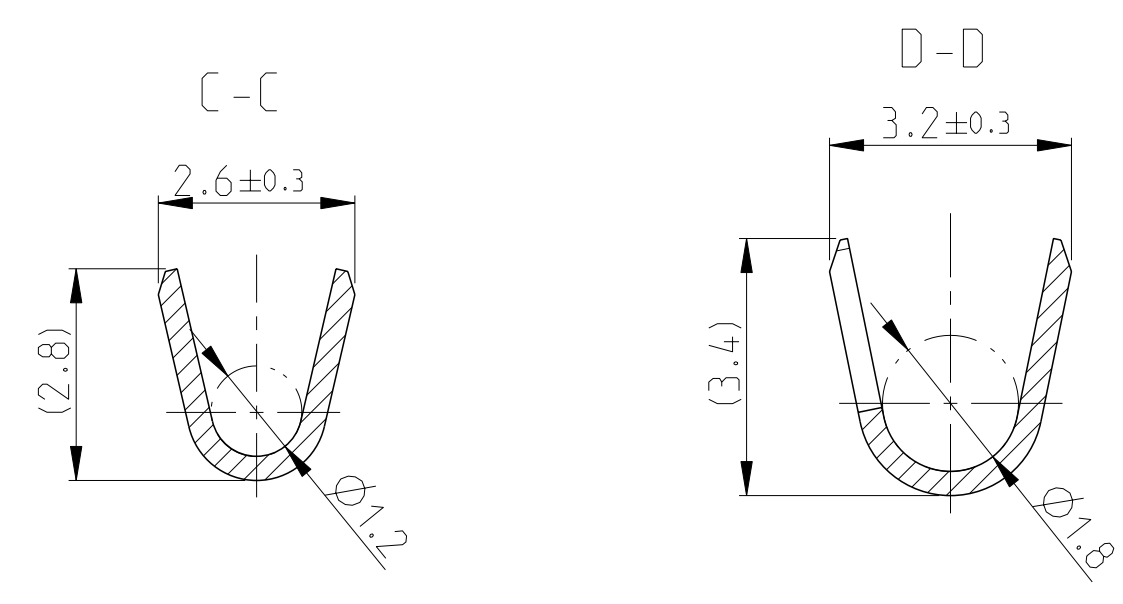
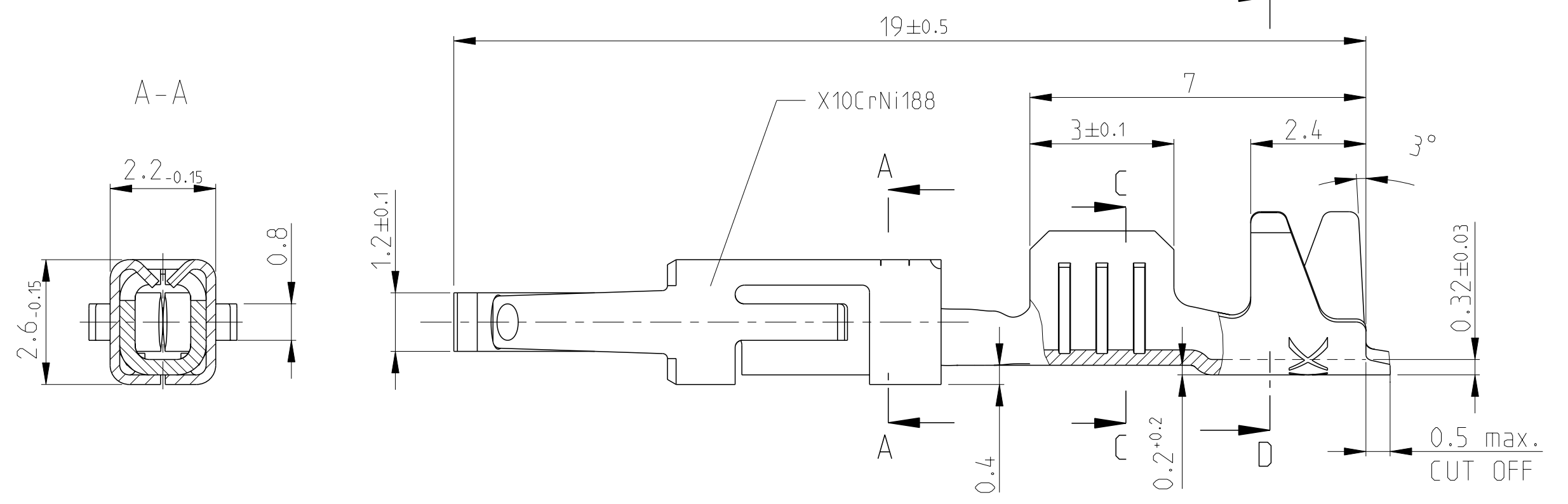


THIS DRAWING IS UNPUBLISHED. RELEASED FOR PUBLICATION
 © COPYRIGHT - ALL RIGHTS RESERVED.

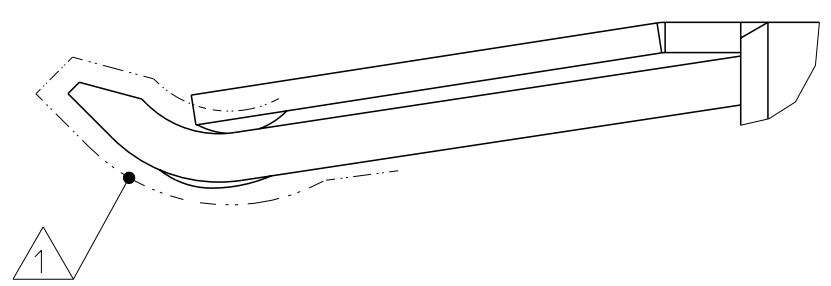
REVISIONS							
LOC	DIST	P	LTR	DESCRIPTION	DATE	DWN	APVD
A1	-						
		K4		OPTIONAL to note 6 TTD added. (area A3)	29JUN2011	Kirs	Mair
		K5		SET PN 's OBSOLETE	19JUN2014	Ho.	Eder
		K6		ECR-15-012070	13AUG2015	JBH	BK
		K7		ECR-22-153256	21SEP2022	FRAN	SCHI

△ KONVENTIONELL

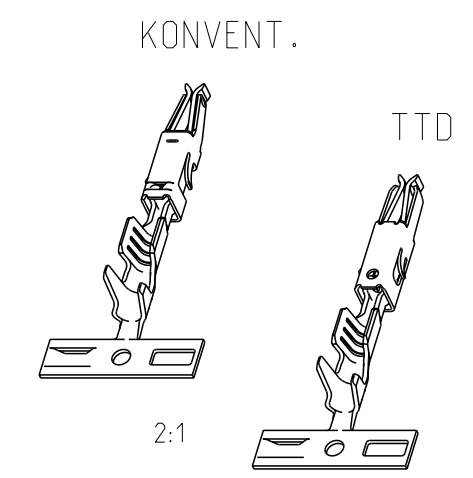
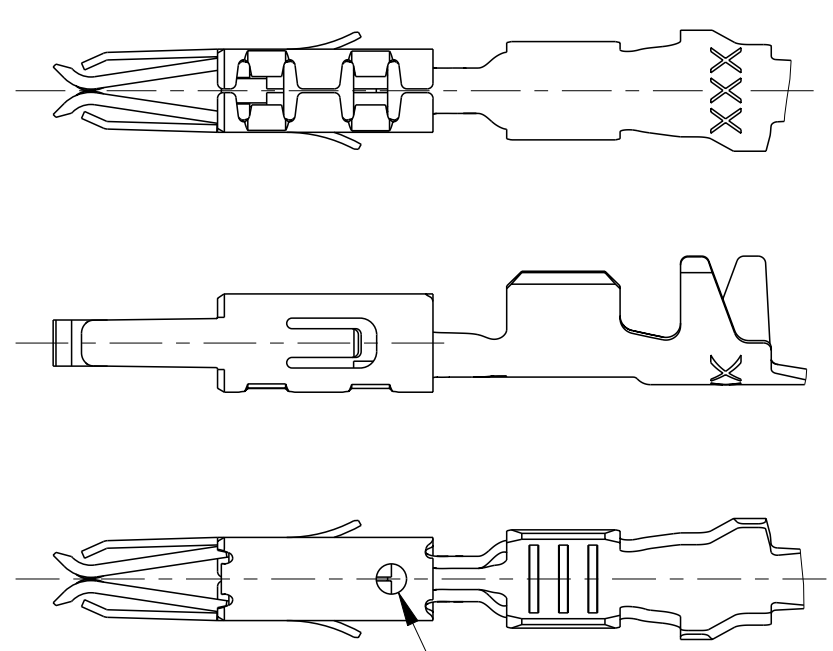


- 1 SELECTIVE GOLD PLATED MIN. 0.8 µm OVER NI
selektiv vergoldet 0.8 µm ueber Ni
- 2 TIN PLATED MIN. 0.2 µm OVER NI
verzinkt 0.2 µm ueber Ni
- 3 WIRE RANGE : 0.5 - 1.0 mm²
INSULATION-Ø : 1.4 - 2.0 mm (FLR)
Drahtgroessebereich : 0.5 - 1.0 mm²
Isolations-Ø : 1.4 - 2.0 mm (FLR)

X
M20:1



△ TWO TRACK DIE
M 5:1



SINGLE CRIMP Einzelanschlag	DOUBLE CRIMP Doppelanschlag OFF / VON	WITH mit			
		0.2	0.35	0.5	1.0
	0.2		X		
	0.35	X		X	
X	0.5		X		
X	1.0				

OPTIONAL
wahlweise

K7

VERSION	SURFACE / Oberflaeche	MATERIAL	PART NO	REV
4 5	1 2	CuFe2	962943-5	K
4 5	PRETIN	CuFe2	962943-2	K
4 5	PRETIN	CuSn4	962943-1	K

THIS DRAWING IS A CONTROLLED DOCUMENT.

DWN: R.Hofer 06JUN1989
 CHK: H.Gehrke 13AUG1992
 APVD: Bleicher, M. 03AUG2008
 PRODUCT SPEC: 108-18055
 APPLICATION SPEC: 114-18081
 WEIGHT: 0.3 g

Customer Drawing

SCALE 10:1 SHEET 1 OF 1 REV K7

STE TE Connectivity

MICRO TIMER 2 CONTACT WITH DOUBLE LOCKING LANCE mit doppelter Rastfeder

RESTRICTED TO

Printed on 21 Sep 2022 11:43 (Mittelnop from TE220462)