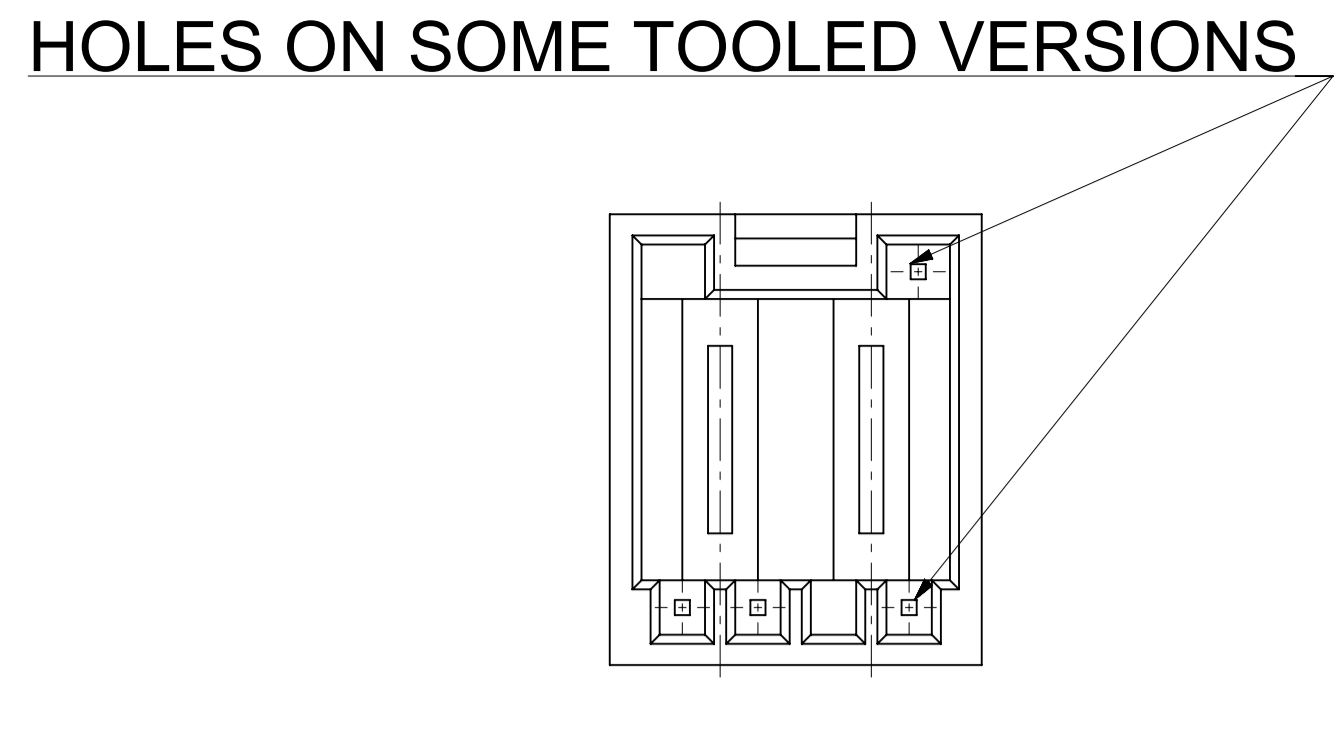
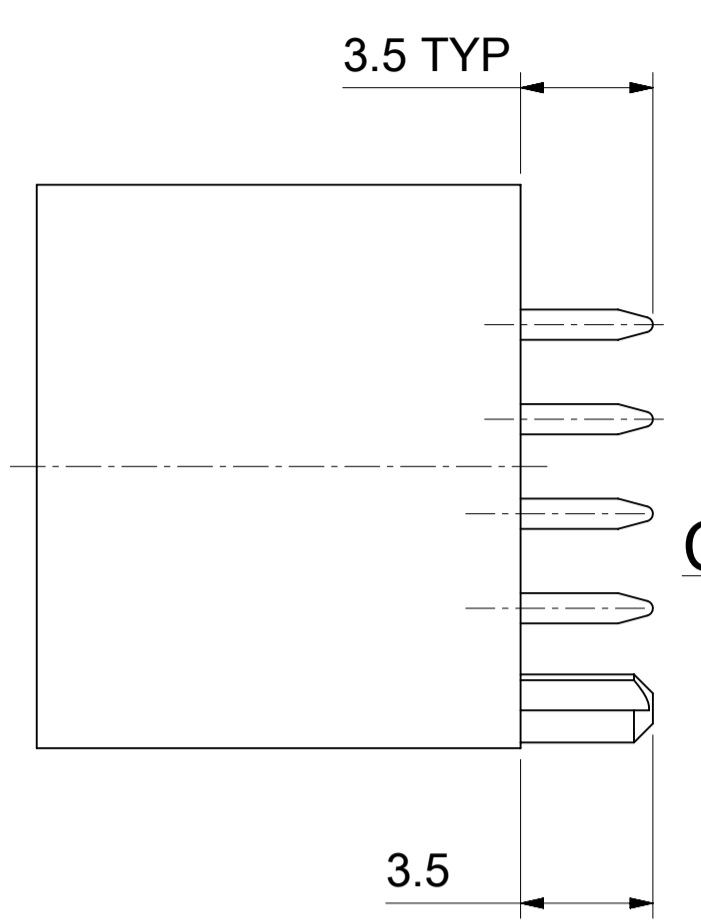
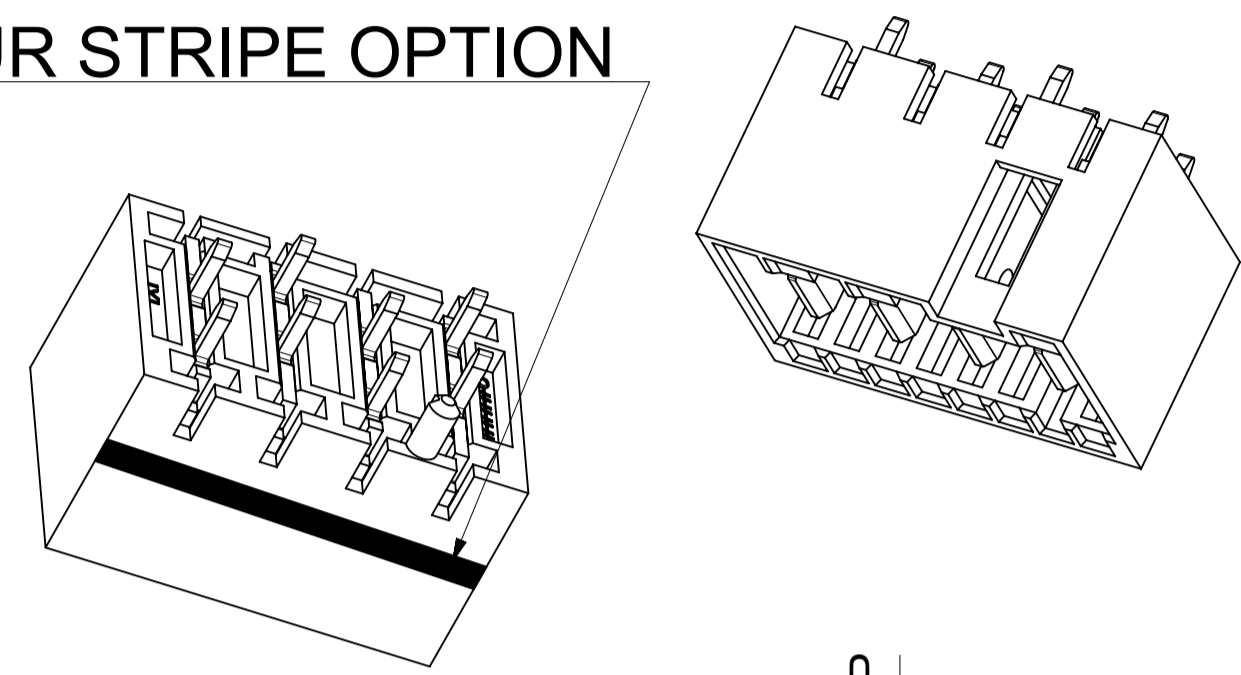


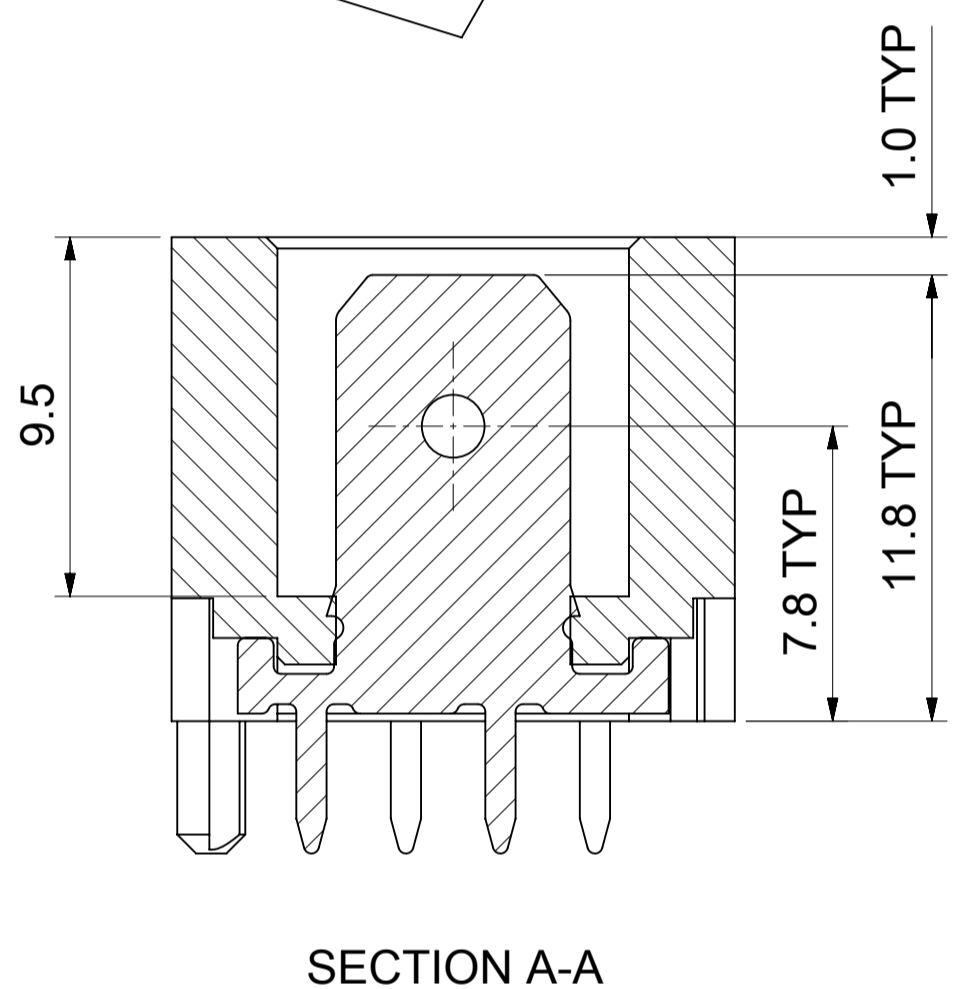
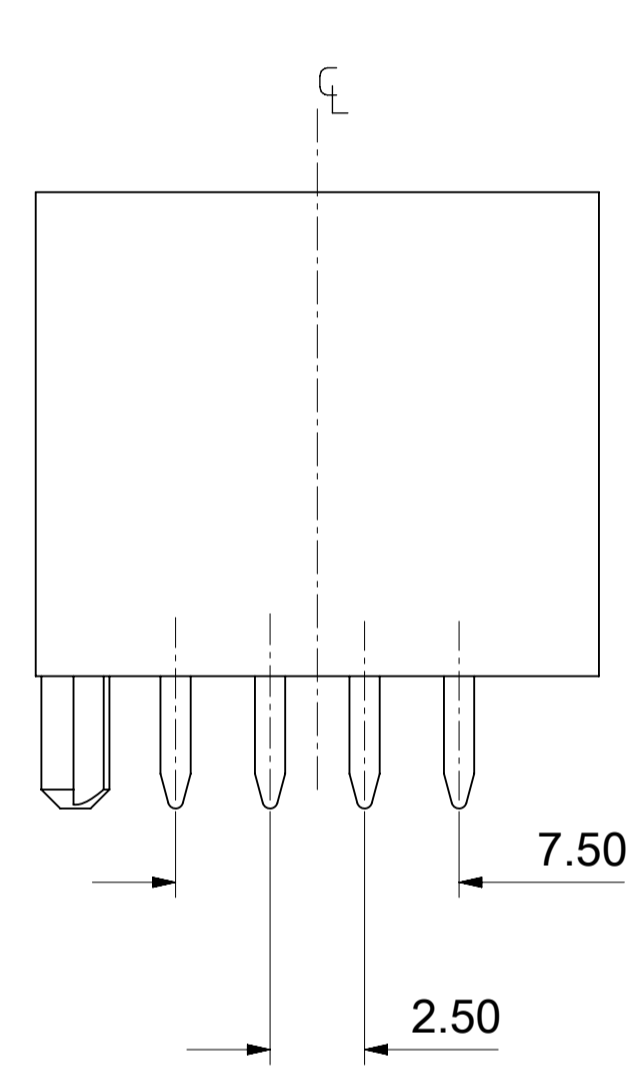
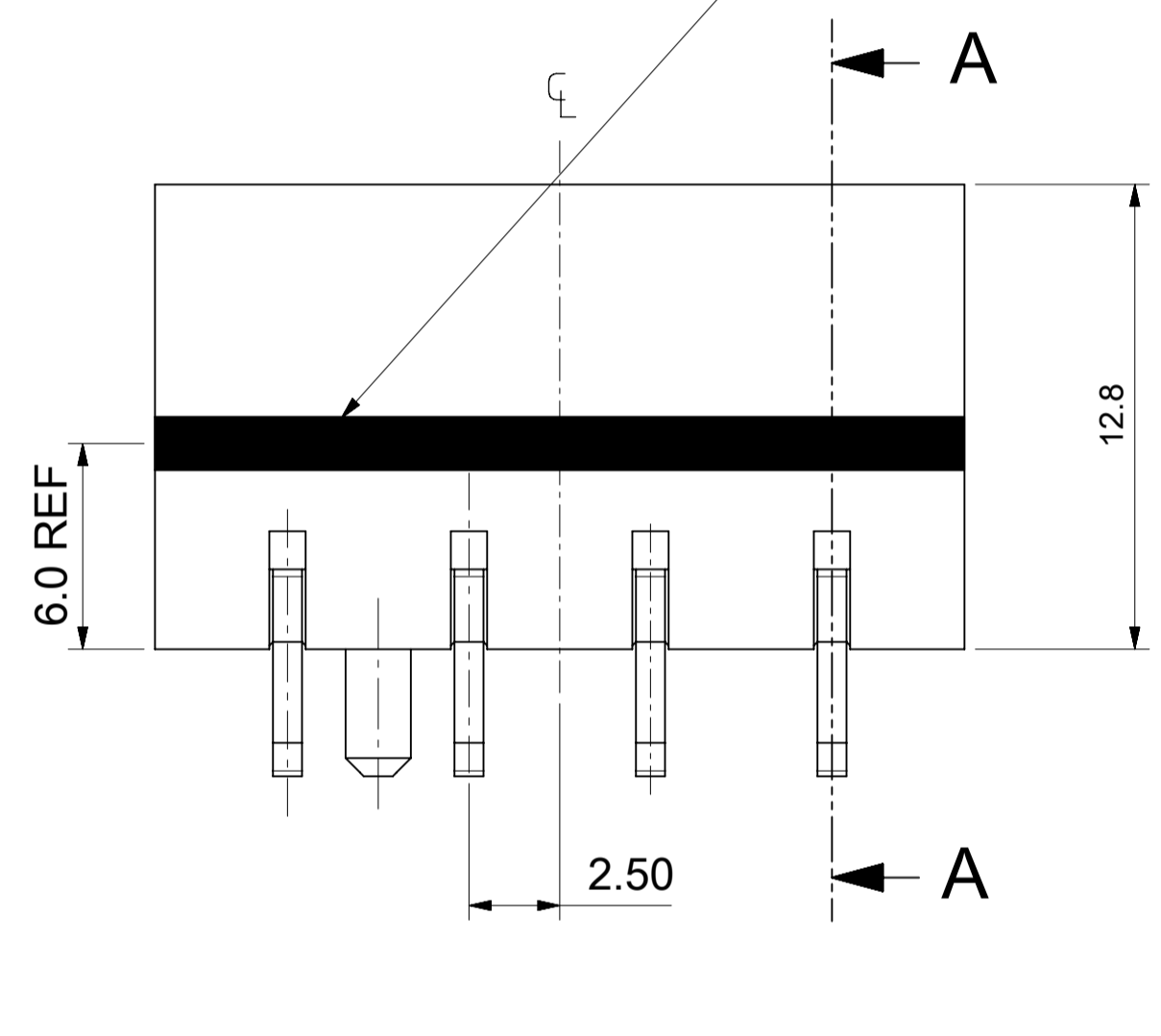
PCB PIN POLARISATION OPTION A AND B



COLOUR STRIPE OPTION

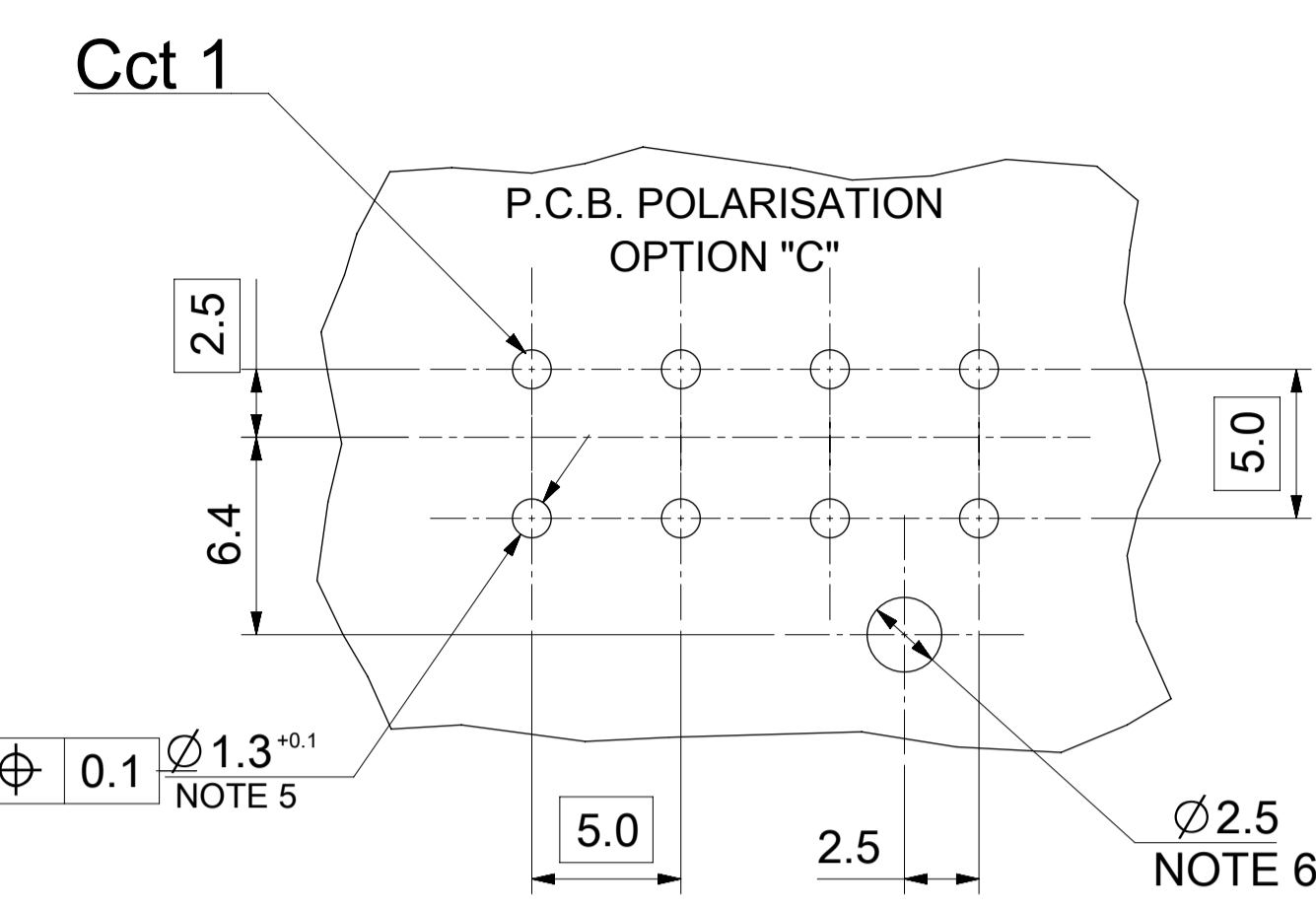
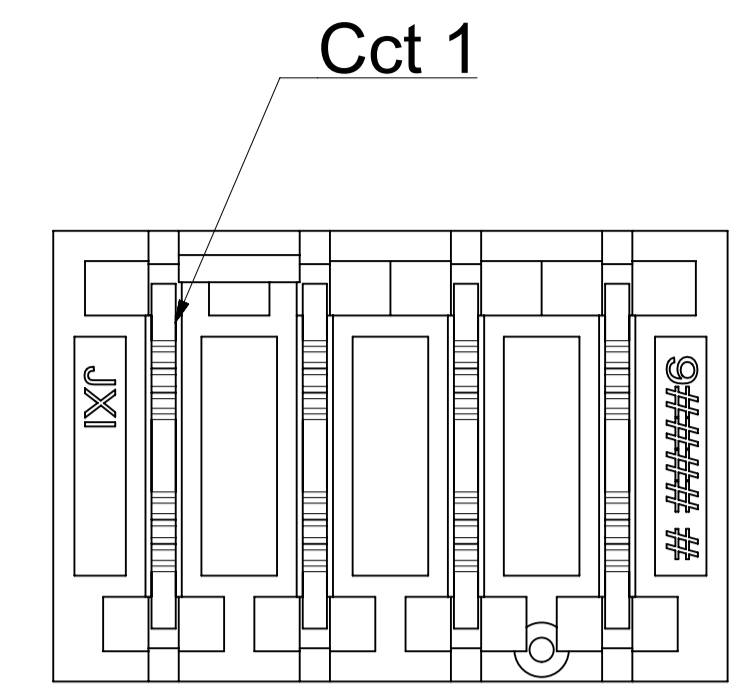


COLOUR STRIPE OPTION

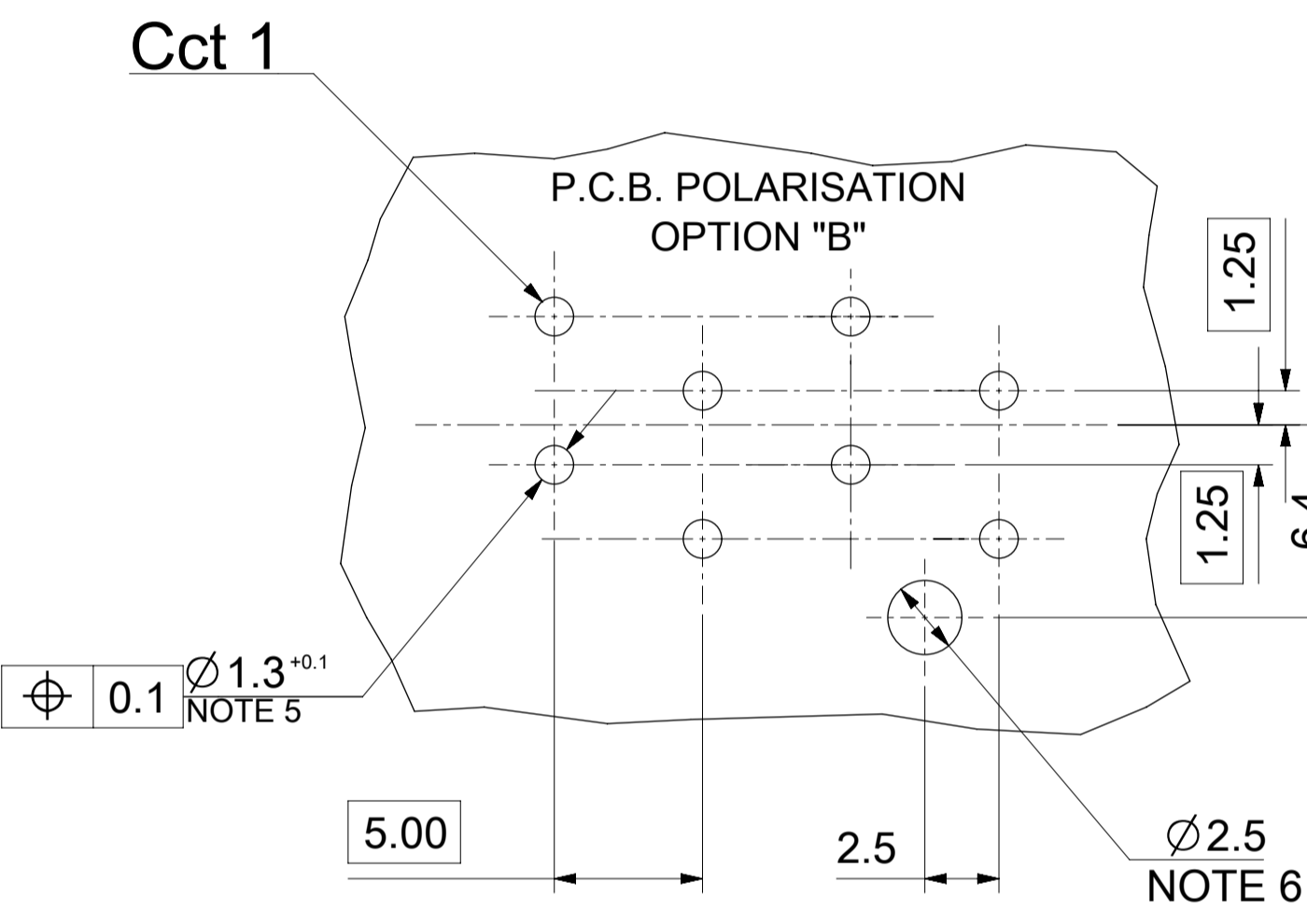
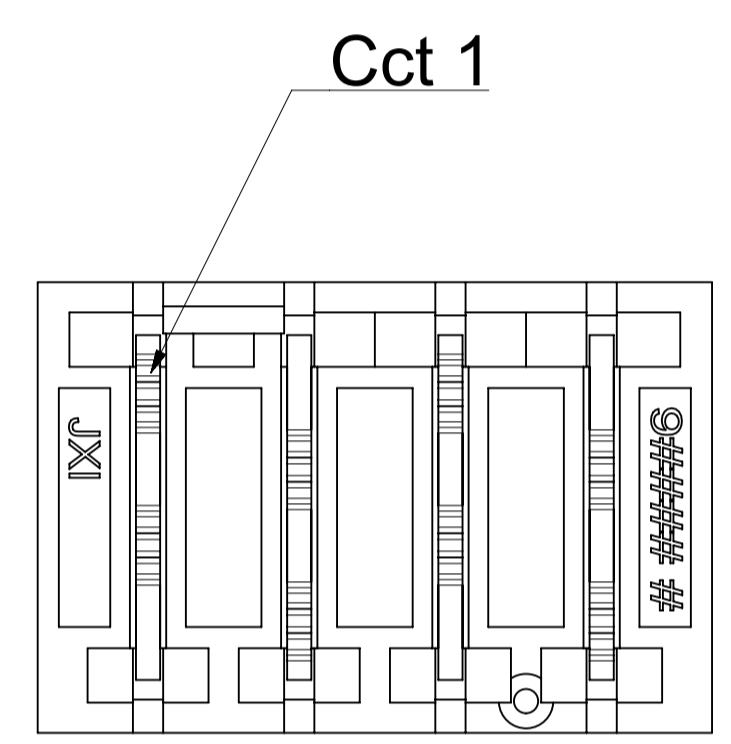


OPTION "C"

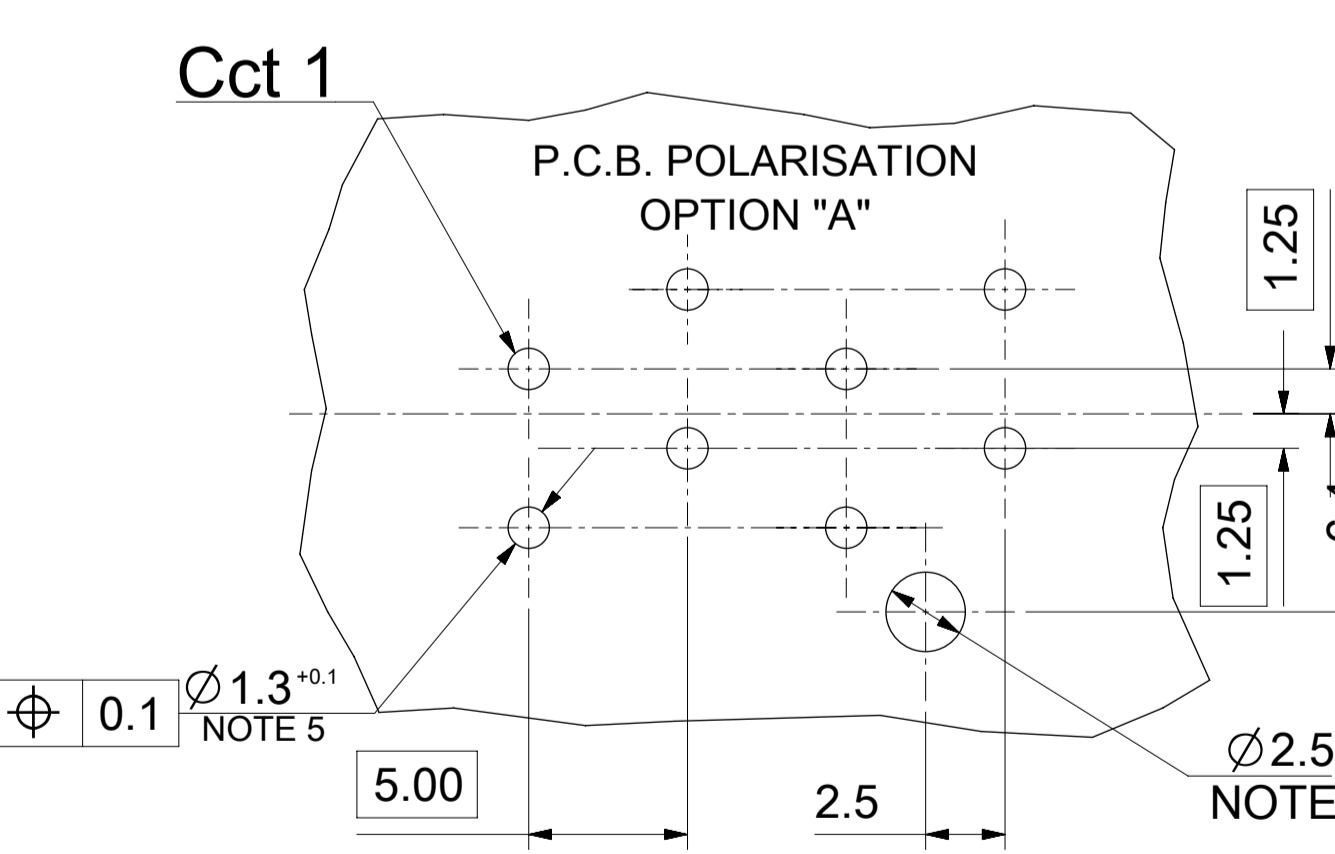
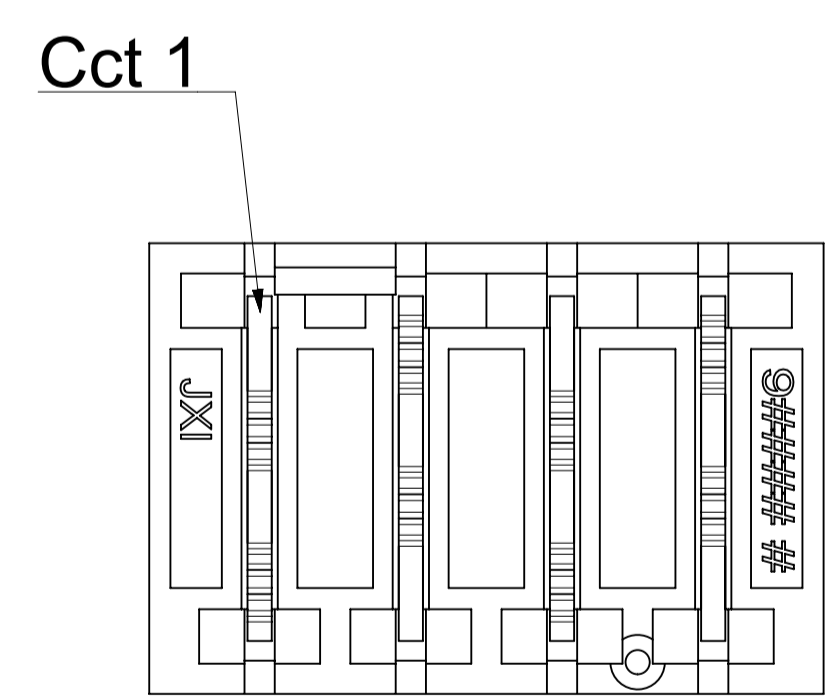
PCB LAYOUT



OPTION "B"

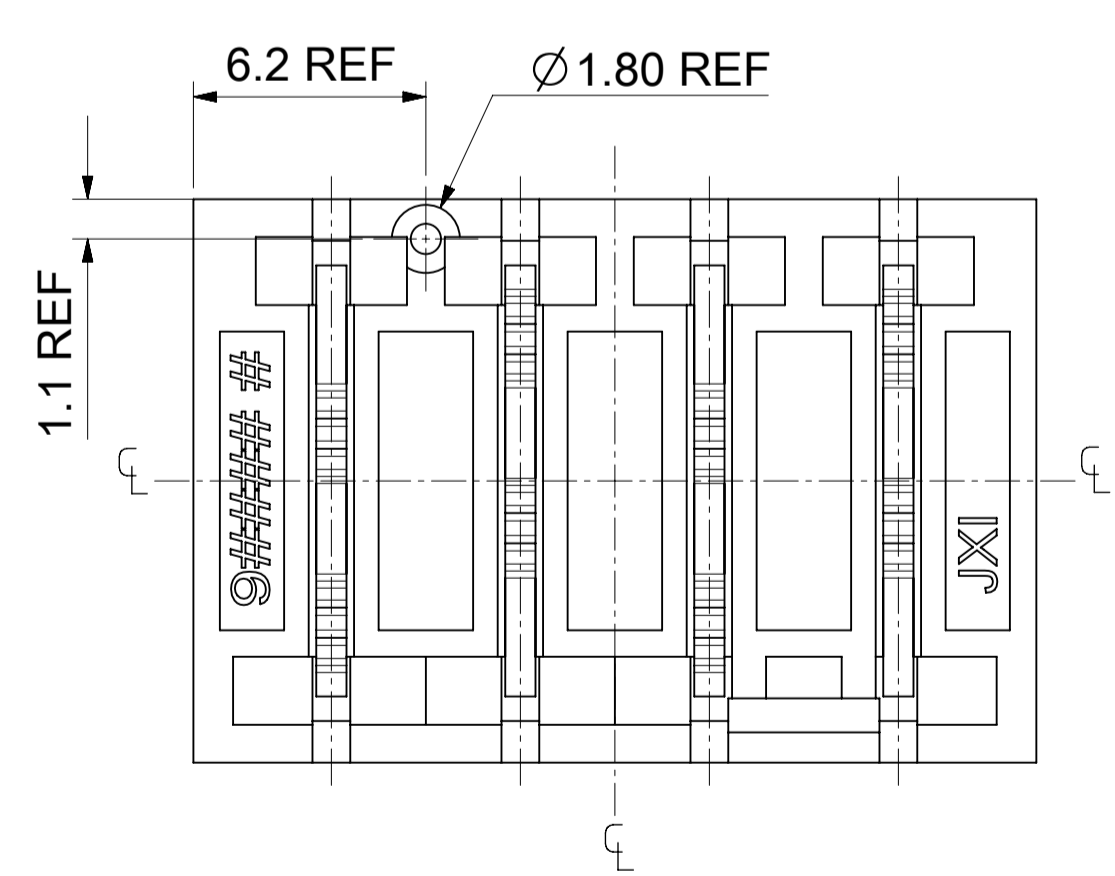


OPTION "A"



| CCT | DIM A | DIM B | DIM C | TOL |
|-----|-------|-------|-------|---------|
| 2 | 5.00 | 10.20 | 12.30 | +/-0.30 |
| 3 | 10.00 | 15.20 | 17.30 | |
| 4 | 15.00 | 20.20 | 22.30 | |
| 5 | 20.00 | 25.20 | 27.30 | |
| 6 | 25.00 | 30.20 | 32.30 | |
| 7 | 30.00 | 35.20 | 37.30 | |
| 8 | 35.00 | 40.20 | 42.30 | |
| 9 | 40.00 | 45.20 | 47.30 | |
| 10 | 45.00 | 50.20 | 52.30 | |
| 11 | 50.00 | 55.20 | 57.30 | |
| 12 | 55.00 | 60.20 | 62.30 | |

- NOTES:
- MATERIALS
HOUSING: PA 66, UL94 V-0 750°C GWT NO FLAME
TERMINAL: BRASS 0.80REF. THICK
PLATING: OPTIONAL (SEE CHARTS SHEETS 2-18)
TIN PLATING OPTION : 3µm TIN OVER 1.27µm NICKEL ALL AREAS
 - PRODUCT CONFORMS TO SPECIFICATION PS-99020-0037/39
 - MATES WITH MOLEX 91338, 90833, 90835, 91777, 91778, 91779, 91954 & 92000.
 - SEE PACKAGING SPECIFICATION PK-90858-001
THREE PACKAGING OPTIONS :
"A" LOOSE IN POLYBAGS IN SHIPPING CARTON
 - PLATED THRU HOLE
 - NON-PLATED THRU HOLE
 - RECCOMMENDED PCB THICKNESS: 1.5mm REF
 - PCB VIEW IS FROM SOLDER SIDE



THIS DRAWING CONTAINS INFORMATION THAT IS PROPRIETARY TO MOLEX ELECTRONIC TECHNOLOGIES, LLC AND SHOULD NOT BE USED WITHOUT WRITTEN PERMISSION

| | | | | | | | |
|------------------------------------------------------|---------------------|-------------------------------|--|--------------------------------|--|--|--|
| DIMENSION UNITS mm | SCALE 1:1 | CURRENT REV DESC: | | molex | | | |
| GENERAL TOLERANCES (UNLESS SPECIFIED) | | EC NO: 746008 | | | | | |
| ANGULAR TOL ± 2.0° | 4 PLACES ± | DRWN: RAHULH3 2023/04/10 | | PRODUCT CUSTOMER DRAWING | | | |
| 3 PLACES ± | 2 PLACES ± 0.1 | CHK'D: RAHULH3 2023/04/14 | | DOCUMENT NUMBER | | | |
| 1 PLACE ± 0.2 | 0 PLACES ± | APPR: MRAMAKRISHNA 2023/04/14 | | 919990001 | | | |
| DRAFT WHERE APPLICABLE MUST REMAIN WITHIN DIMENSIONS | | INITIAL REVISION: | | DOC TYPE DOC PART REVISION | | | |
| THIRD ANGLE PROJECTION | | DRWN: AKABADI 2017/09/15 | | PSD 000 L4 | | | |
| DRAWING | | APPR: BRUTTLE 2017/11/10 | | SHEET NUMBER | | | |
| A1-SIZE | | SERIES 91999 | | 1 OF 17 | | | |
| SEE SHEETS 2-18 | | CUSTOMER | | GENERAL MARKET | | | |

2 CIRCUIT

SEE CODE DESIGNATION TABLE FOR NUMBERING
FORMAT WHEN ADDING NEW PART NUMBE

| PART NO. (TIN) | TERM NO. (TIN) | MOLEX HOUSING NO. | COLOUR | UNBLOCKED POSITION KEYS | UNBLOCKED CODING KEYS | LATCH POSITION | CONFIGURATION (SEE NOTES) | TERMINAL VOID CKT | TERM NO. (SILVER) | PART NO. (SILVER) | P.C.B. POLARISATION OPTION | PACKAGING OPTION * | COLOUR STRIPE |
|-------------------|-------------------|----------------------|---------|----------------------------|--------------------------|-------------------|------------------------------|----------------------|----------------------|----------------------|----------------------------------|-----------------------|------------------|
| 91999-0003 | 91703-0002 | 93002-0002 | NATURAL | 1b 2a | 01c d20 | 1/2 | | NONE | 91703-0003 | 91999-0499 | A | A | NONE |
| 91999-0004 | 91703-0002 | 93002-0003 | NATURAL | 1a 2b | 01c | 1/2 | | NONE | 91703-0003 | 91999-0482 | A | A | NONE |
| 91999-0007 | 91703-0002 | 93002-0004 | NATURAL | 1b 2b | 01c | 1/2 | | NONE | 91703-0003 | 91999-0497 | A | A | NONE |
| 91999-0018 | 91703-0002 | 93002-0005 | NATURAL | 2a | 01c d20 | 1/2 | | NONE | 91703-0003 | 91999-0495 | A | A | NONE |
| 91999-0019 | 91703-0002 | 93002-0008 | NATURAL | 1a 2b | d20 | 1/2 | | NONE | 91703-0003 | 91999-0478 | A | A | NONE |
| 91999-0021 | 91703-0002 | 93002-0006 | NATURAL | 1b | 01c d20 | 1/2 | | NONE | 91703-0003 | 91999-0492 | A | A | NONE |
| 91999-0022 | 91703-0002 | 93002-0007 | NATURAL | 1a 2b | NONE | 1/2 | | NONE | 91703-0003 | 91999-0491 | A | A | NONE |
| 91999-0027 | 91703-0002 | 93002-0009 | NATURAL | 2b | NONE | 1/2 | | NONE | 91703-0003 | 91999-0487 | A | A | NONE |
| 91999-0029 | 91703-0002 | 93002-0010 | NATURAL | 1a 1b | d20 | 1/2 | | NONE | 91703-0003 | 91999-0486 | A | A | NONE |
| 91999-0030 | 91703-0002 | 93002-0011 | NATURAL | 2a 2b | NONE | 1/2 | | NONE | 91703-0003 | 91999-0485 | A | A | NONE |
| 91999-0032 | 91703-0002 | 93002-0012 | NATURAL | 2b | d20 | 1/2 | | NONE | 91703-0003 | 91999-0484 | A | A | NONE |
| 91999-0047 | 91703-0002 | 93002-0013 | NATURAL | 1a 2a | 01c d20 | 1/2 | | NONE | 91703-0003 | 91999-0483 | A | A | NONE |
| 91999-0055 | 91703-0002 | 93002-0014 | NATURAL | 1a 1b | NONE | 1/2 | | NONE | 91703-0003 | 91999-0480 | A | A | NONE |
| 91999-0020 | 91703-0002 | 93002-0015 | NATURAL | 1a 1b | 01c | 1/2 | | NONE | 91703-0003 | 91999-0475 | A | A | NONE |
| 91999-0054 | 91703-0002 | 93002-0016 | NATURAL | 2b | 01c d20 | 1/2 | | NONE | 91703-0003 | 91999-0476 | A | A | NONE |
| 91999-0057 | 91703-0002 | 93002-0017 | NATURAL | 1a | 01c d20 | 1/2 | | NONE | 91703-0003 | 91999-0477 | A | A | NONE |
| 91999-0058 | 91703-0002 | 93002-0018 | NATURAL | 1a 2a | 01c | 1/2 | | NONE | 91703-0003 | 91999-0472 | A | A | NONE |
| 91999-0059 | 91703-0002 | 93002-0019 | NATURAL | ALL | d20 | 1/2 | | NONE | 91703-0003 | 91999-0474 | A | A | NONE |
| 91999-0060 | 91703-0002 | 93002-0020 | NATURAL | 1b 2a 2b | d20 | 1/2 | | NONE | 91703-0003 | 91999-0473 | A | A | NONE |
| 91999-0061 | 91703-0002 | 93002-0002 | NATURAL | 1b 2a | 01c d20 | 1/2 | | NONE | 91703-0003 | 91999-0471 | B | A | NONE |

NOTES:
* SEE SHEET 1 NOTE 4

| | | | | | | | | | | | | | | | | | | | | | |
|-----------------------------------------------------------------------------------------------------------------------------------------------|--|---------------------|--|---------------------------------------------------------------------------------------------------------|--|---------------------|--|-----------------------------------|--|------------------------------------|--|----------------------------|--|-------------------------------------|--|-----------------|--|-----------------|--|-----------------------|--|
| THIS DRAWING CONTAINS INFORMATION THAT IS PROPRIETARY TO MOLEX ELECTRONIC TECHNOLOGIES, LLC AND SHOULD NOT BE USED WITHOUT WRITTEN PERMISSION | | | | | | | | | | | | | | | | | | | | | |
| DIMENSION UNITS mm | | SCALE 1:1 | | CURRENT REV DESC: | | | | RAST 5 VERT HDR PA 66 HOUSING | | | | | | | | | | | | | |
| GENERAL TOLERANCES (UNLESS SPECIFIED) | | | | EC NO: 746008 DRWN: RAHULH3 2023/04/10 CHK'D: RAHULH3 2023/04/14 APPR: MRAMAKRISHNA 2023/04/14 | | | | | | | | | | | | | | | | | |
| ANGULAR TOL ± 2.0° | | 4 PLACES ± | | 3 PLACES ± | | 2 PLACES ± 0.1 | | 1 PLACE ± 0.2 | | 0 PLACES ± | | PRODUCT CUSTOMER DRAWING | | | | | | | | | |
| DRAFT WHERE APPLICABLE MUST REMAIN WITHIN DIMENSIONS | | | | THIRD ANGLE PROJECTION | | DRAWING | | SERIES A1-SIZE 91999 | | MATERIAL NUMBER SEE SHEETS 2-18 | | CUSTOMER GENERAL MARKET | | DOCUMENT NUMBER 919990001 | | DOC TYPE PSD | | DOC PART 000 | | REVISION L4 | |
| DOCUMENT STATUS | | P1 | | RELEASE DATE | | 2023/04/14 14:04:31 | | | | | | | | | | | | | | | |

2 CIRCUIT

SEE CODE DESIGNATION TABLE FOR NUMBERING
FORMAT WHEN ADDING NEW PART NUMBE

| PART NO. (TIN) | TERM NO. (TIN) | MOLEX HOUSING NO. | COLOUR | UNBLOCKED POSITION KEYS | UNBLOCKED CODING KEYS | LATCH POSITION | CONFIGURATION (SEE NOTES) | TERMINAL VOID CKT | TERM NO. (SILVER) | PART NO. (SILVER) | P.C.B. POLARISATION OPTION | PACKAGING OPTION * | COLOUR STRIPE |
|-------------------|-------------------|----------------------|---------|----------------------------|--------------------------|-------------------|------------------------------|----------------------|----------------------|----------------------|----------------------------------|-----------------------|------------------|
| 91999-0062 | 91703-0002 | 93002-0021 | NATURAL | 2a | 01c | 1/2 | | NONE | 91703-0003 | 91999-0470 | A | A | NONE |
| 91999-0063 | 91703-0002 | 93002-0022 | NATURAL | 1b 2a | d20 | 1/2 | | NONE | 91703-0003 | 91999-0469 | A | A | NONE |
| 91999-0064 | 91703-0002 | 93002-0023 | NATURAL | 1a 2b | 01c d20 | 1/2 | | NONE | 91703-0003 | 91999-0468 | A | A | NONE |
| 91999-0067 | 91703-0002 | 93002-0024 | NATURAL | ALL | ALL | 1/2 | | NONE | 91703-0003 | 91999-0465 | A | A | NONE |
| 91999-0069 | 91703-0002 | 93002-0025 | NATURAL | 1a | 01c | 1/2 | | NONE | 91703-0003 | 91999-0463 | A | A | NONE |
| 91999-0071 | 91703-0017 | 93002-0004 | NATURAL | 1b 2b | 01c | 1/2 | | NONE | 91703-0018 | 91999-0461 | C | A | NONE |
| 91999-0042 | 91703-0002 | 93002-0027 | NATURAL | NONE | d20 | 1/2 | | NONE | 91703-0003 | 91999-0460 | A | A | NONE |
| 91999-0072 | 91703-0017 | 93002-0002 | NATURAL | 1b 2a | 01c d20 | 1/2 | | NONE | 91703-0018 | 91999-0459 | C | A | NONE |
| 91999-0073 | 91703-0002 | 93002-0002 | NATURAL | 1b 2a | 01c d20 | 1/2 | | NONE | 91703-0003 | 91999-0458 | B | A | NONE |
| 91999-0074 | 91703-0002 | 93002-0003 | NATURAL | 1a 2b | 01c | 1/2 | | NONE | 91703-0003 | 91999-0457 | B | A | NONE |
| 91999-0075 | 91703-0017 | 93002-0005 | NATURAL | 2a | 01c d20 | 1/2 | | NONE | 91703-0018 | 91999-0456 | C | A | NONE |
| 91999-0076 | 91703-0002 | 93002-0005 | NATURAL | 2a | 01c d20 | 1/2 | | NONE | 91703-0003 | 91999-0455 | B | A | NONE |
| 91999-0077 | 91703-0002 | 93002-0028 | NATURAL | 1a 2a 2b | 01c d20 | 1/2 | | NONE | 91703-0003 | 91999-0454 | A | A | NONE |
| 91999-0078 | 91703-0002 | 93002-0029 | NATURAL | 1b | d20 | 1/2 | | NONE | 91703-0003 | 91999-0453 | A | A | NONE |
| 91999-0079 | 91703-0002 | 93002-0030 | NATURAL | 1b | NONE | 1/2 | | NONE | 91703-0003 | 91999-0452 | A | A | NONE |
| 91999-0080 | 91703-0002 | 93002-0031 | NATURAL | NONE | 01c d20 | 1/2 | | NONE | 91703-0003 | 91999-0451 | A | A | NONE |

NOTES:
* SEE SHEET 1 NOTE 4

| | | | | | | | | | | | | | | | |
|-----------------------------------------------------------------------------------------------------------------------------------------------|--|---------------------|--|--------------------------|--|----------------|--|-----------------------------------|--|------------------------------------|--|-------------------------------------|--|-------------------------|--|
| THIS DRAWING CONTAINS INFORMATION THAT IS PROPRIETARY TO MOLEX ELECTRONIC TECHNOLOGIES, LLC AND SHOULD NOT BE USED WITHOUT WRITTEN PERMISSION | | | | | | | | | | | | | | | |
| DIMENSION UNITS mm | | SCALE 1:1 | | CURRENT REV DESC: | | | | RAST 5 VERT HDR PA 66 HOUSING | | | | | | | |
| GENERAL TOLERANCES (UNLESS SPECIFIED) | | | | | | | | | | | | | | | |
| ANGULAR TOL ± 2.0° | | 4 PLACES ± | | 3 PLACES ± | | 2 PLACES ± 0.1 | | 1 PLACE ± 0.2 | | 0 PLACES ± | | | | | |
| DRAFT WHERE APPLICABLE MUST REMAIN WITHIN DIMENSIONS | | | | THIRD ANGLE PROJECTION | | DRAWING | | SERIES A1-SIZE 91999 | | MATERIAL NUMBER SEE SHEETS 2-18 | | CUSTOMER GENERAL MARKET | | SHEET NUMBER 3 OF 17 | |
| EC NO: 746008 | | | | DRWN: RAHULH3 2023/04/10 | | | | CHK'D: RAHULH3 2023/04/14 | | | | APPR: MRAMAKRISHNA 2023/04/14 | | | |
| INITIAL REVISION: | | | | DRWN: AKABADI 2017/09/15 | | | | APPR: BRUTTLE 2017/11/10 | | | | DOCUMENT NUMBER 919990001 | | | |
| PSD | | | | 000 | | | | L4 | | | | REVISION | | | |

2 CIRCUIT

SEE CODE DESIGNATION TABLE FOR NUMBERING
FORMAT WHEN ADDING NEW PART NUMBE

| PART NO. (TIN) | TERM NO. (TIN) | MOLEX HOUSING NO. | COLOUR | UNBLOCKED POSITION KEYS | UNBLOCKED CODING KEYS | LATCH POSITION | CONFIGURATION (SEE NOTES) | TERMINAL VOID CKT | TERM NO. (SILVER) | PART NO. (SILVER) | P.C.B. POLARISATION OPTION | PACKAGING OPTION * | COLOUR STRIPE |
|-------------------|-------------------|----------------------|---------|----------------------------|--------------------------|-------------------|------------------------------|----------------------|----------------------|----------------------|----------------------------------|-----------------------|------------------|
| 91999-0081 | 91703-0002 | 93002-0003 | NATURAL | 1a 2b | 01c | 1/2 | | NONE | 91703-0003 | 91999-0450 | A | A | RED |
| 91999-0082 | 91703-0002 | 93002-0032 | NATURAL | ALL | 01c | 1/2 | | NONE | 91703-0003 | 91999-0449 | A | A | NONE |
| 91999-0083 | 91703-0002 | 93002-0033 | NATURAL | 1a 1b 2a | NONE | 1/2 | | NONE | 91703-0003 | 91999-0448 | A | A | NONE |
| 91999-0084 | 91703-0002 | 93002-0008 | NATURAL | 1a 2b | d20 | 1/2 | | CCT 1 | 91703-0003 | 91999-0447 | A | A | NONE |
| 91999-0085 | 91703-0002 | 93002-0008 | NATURAL | 1a 2b | d20 | 1/2 | | CCT 2 | 91703-0003 | 91999-0446 | A | A | NONE |
| 91999-0086 | 91703-0017 | 93002-0008 | NATURAL | 1a 2b | d20 | 1/2 | | NONE | 91703-0018 | 91999-0445 | C | A | NONE |
| 91999-0087 | 91703-0002 | 93002-0034 | NATURAL | 1a | NONE | 1/2 | | NONE | 91703-0003 | 91999-0444 | A | A | NONE |
| 91999-0088 | 91703-0002 | 93002-0009 | NATURAL | 2b | NONE | 1/2 | | NONE | 91703-0003 | 91999-0443 | B | A | NONE |
| 91999-0089 | 91703-0002 | 93002-0002 | NATURAL | 1b 2a | 01c d20 | 1/2 | | NONE | 91703-0003 | 91999-0442 | A | A | BLACK |
| 91999-0090 | 91703-0002 | 93002-0036 | NATURAL | 1b 2b | 01c d20 | 1/2 | | NONE | 91703-0003 | 91999-0496 | A | A | NONE |
| 91999-0091 | 91703-0002 | 93002-0035 | NATURAL | 1b 2a 2b | 01c d20 | 1/2 | | NONE | 91703-0003 | 91999-0441 | A | A | NONE |
| 91999-0092 | 91703-0002 | 93002-0024 | NATURAL | 1a 1b 2a 2b | 01c d20 | 1/2 | | NONE | 91703-0003 | 91999-0440 | A | A | NONE |
| 91999-0093 | 91703-0002 | 93002-0026 | NATURAL | 2a 2b | 01c | 1/2 | | NONE | 91703-0003 | 91999-0439 | A | A | NONE |
| 91999-0094 | 91703-0002 | 93002-0016 | NATURAL | 2b | 01c d20 | 1/2 | | NONE | 91703-0003 | 91999-0438 | B | A | NONE |

L4

NOTES:

* SEE SHEET 1 NOTE 4

| | | | | | | | | | | | |
|-----------------------------------------------------------------------------------------------------------------------------------------------|--|------------------------|--|--------------------|--|------------|--|-------------------------------|--|--------------------------------|--|
| THIS DRAWING CONTAINS INFORMATION THAT IS PROPRIETARY TO MOLEX ELECTRONIC TECHNOLOGIES, LLC AND SHOULD NOT BE USED WITHOUT WRITTEN PERMISSION | | | | | | | | | | | |
| DIMENSION UNITS mm | | SCALE 1:1 | | CURRENT REV DESC: | | | | | | | |
| GENERAL TOLERANCES (UNLESS SPECIFIED) | | | | EC NO: 746008 | | | | | | | |
| ANGULAR TOL ± 2.0° | | 4 PLACES ± | | DRWN: RAHULH3 | | 2023/04/10 | | RAST 5 VERT HDR PA 66 HOUSING | | | |
| 3 PLACES ± | | 2 PLACES ± 0.1 | | CHK'D: RAHULH3 | | 2023/04/14 | | PRODUCT CUSTOMER DRAWING | | | |
| 1 PLACE ± 0.2 | | 0 PLACES ± | | APPR: MRAMAKRISHNA | | 2023/04/14 | | INITIAL REVISION: | | | |
| DRAFT WHERE APPLICABLE MUST REMAIN WITHIN DIMENSIONS | | THIRD ANGLE PROJECTION | | DRWN: AKABADI | | 2017/09/15 | | DOCUMENT NUMBER | | DOC TYPE DOC PART REVISION | |
| DRAWING | | SERIES | | APPR: BRUTTLE | | 2017/11/10 | | 919990001 | | PSD 000 L4 | |
| A1-SIZE | | 91999 | | MATERIAL NUMBER | | CUSTOMER | | SEE SHEETS 2-18 | | GENERAL MARKET SHEET NUMBER | |
| | | | | | | | | | | 4 OF 17 | |

3 CIRCUIT

SEE CODE DESIGNATION TABLE FOR NUMBERING
FORMAT WHEN ADDING NEW PART NUMBE

| PART NO. (TIN) | TERM NO. (TIN) | MOLEX HOUSING NO. | COLOUR | UNBLOCKED POSITION KEYS | UNBLOCKED CODING KEYS | LATCH POSITION | CONFIGURATION (SEE NOTES) | TERMINAL VOID CKT | TERM NO. (SILVER) | PART NO. (SILVER) | P.C.B. POLARISATION OPTION | PACKAGING OPTION * | COLOUR STRIPE |
|-------------------|-------------------|----------------------|---------|----------------------------|--------------------------|-------------------|------------------------------|----------------------|----------------------|----------------------|----------------------------------|-----------------------|------------------|
| 91999-0502 | 91703-0002 | 93002-1000 | NATURAL | 1b | 01c d20 | 1/2 | | NONE | 91703-0003 | 91999-1249 | A | A | NONE |
| 91999-0508 | 91703-0002 | 93002-1001 | NATURAL | 1a | 03c | 1/2 | | NONE | 91703-0003 | 91999-1248 | A | A | NONE |
| 91999-0511 | 91703-0002 | 93002-1002 | NATURAL | 1a 1b | d30 | 1/2 | | NONE | 91703-0003 | 91999-1247 | A | A | NONE |
| 91999-0512 | 91703-0002 | 93002-1003 | NATURAL | 1a 3b | 01c | 1/2 | | NONE | 91703-0003 | 91999-1246 | A | A | NONE |
| 91999-0513 | 91703-0002 | 93002-1004 | NATURAL | 1b | d20 03c | 1/2 | | NONE | 91703-0003 | 91999-1245 | A | A | NONE |
| 91999-0524 | 91703-0002 | 93002-1005 | NATURAL | 1b 2a 2b | d30 | 1/2 | | NONE | 91703-0003 | 91999-1244 | A | A | NONE |
| 91999-0525 | 91703-0002 | 93002-1006 | NATURAL | 2b | d20 | 1/2 | | NONE | 91703-0003 | 91999-1243 | A | A | NONE |
| 91999-0528 | 91703-0002 | 93002-1007 | NATURAL | ALL | d10 d30 | 2/3 | | NONE | 91703-0003 | 91999-1242 | A | A | NONE |
| 91999-0527 | 91703-0002 | 93002-1008 | NATURAL | ALL | d20 | 1/2 | | NONE | 91703-0003 | 91999-1240 | A | A | NONE |
| 91999-0526 | 91703-0002 | 93002-1009 | NATURAL | 2b 3b | d10 02c | 2/3 | | NONE | 91703-0003 | 91999-1241 | A | A | NONE |
| 91999-0529 | 91703-0002 | 93002-1000 | NATURAL | 1b | 01c d20 | 1/2 | | 2 | 91703-0003 | 91999-1239 | A | A | NONE |
| 91999-0530 | 91703-0002 | 93002-1010 | NATURAL | 2b 3b | 01c d10 02c d30 | 2/3 | | NONE | 91703-0003 | 91999-1238 | A | A | NONE |
| 91999-0531 | 91703-0002 | 93002-1011 | NATURAL | 3b | 01c d30 | 2/3 | | NONE | 91703-0003 | 91999-1237 | A | A | NONE |
| 91999-0532 | 91703-0002 | 93002-1012 | NATURAL | 3b | d10 02c | 2/3 | | NONE | 91703-0003 | 91999-1236 | A | A | NONE |
| 91999-0534 | 91703-0002 | 93002-1014 | NATURAL | ALL | ALL | 1/2 | | NONE | 91703-0003 | 91999-1234 | A | A | NONE |
| 91999-0506 | 91703-0002 | 93002-1015 | NATURAL | 1a 3a | d20 | 1/2 | | NONE | 91703-0003 | 91999-1233 | A | A | NONE |
| 91999-0507 | 91703-0002 | 93002-1016 | NATURAL | 2a | d10 d30 | 2/3 | | NONE | 91703-0003 | 91999-1232 | A | A | NONE |
| 91999-0535 | 91703-0002 | 93002-1017 | NATURAL | 3b | d10 d30 | 2/3 | | NONE | 91703-0003 | 91999-1231 | A | A | NONE |
| 91999-0536 | 91703-0002 | 93002-1018 | NATURAL | 1b | 01c | 1/2 | | NONE | 91703-0003 | 91999-1230 | A | A | NONE |

NOTES:
* SEE SHEET 1 NOTE 4

| | | | | | | | | | | | | | | | |
|-----------------------------------------------------------------------------------------------------------------------------------------------|--|---------------------|--|------------------------|--|----------------|--|-----------------------------------|--|-----------------------------------------------------------------------------------------------------------|--|----------------------------------------------------------------------------------------|--|--------------|--|
| THIS DRAWING CONTAINS INFORMATION THAT IS PROPRIETARY TO MOLEX ELECTRONIC TECHNOLOGIES, LLC AND SHOULD NOT BE USED WITHOUT WRITTEN PERMISSION | | | | | | | | | | | | | | | |
| DIMENSION UNITS mm | | SCALE 1:1 | | CURRENT REV DESC: | | | | RAST 5 VERT HDR PA 66 HOUSING | | | | | | | |
| GENERAL TOLERANCES (UNLESS SPECIFIED) | | | | EC NO: 746008 | | | | | | | | | | | |
| ANGULAR TOL ± 2.0° | | 4 PLACES ± | | 3 PLACES ± | | 2 PLACES ± 0.1 | | 1 PLACE ± 0.2 | | 0 PLACES ± | | DRWN: RAHULH3 2023/04/14 CHK'D: RAHULH3 2023/04/14 APPR: MRAMAKRISHNA 2023/04/14 | | | |
| DRAFT WHERE APPLICABLE MUST REMAIN WITHIN DIMENSIONS | | | | THIRD ANGLE PROJECTION | | DRAWING | | SERIES | | MATERIAL NUMBER | | CUSTOMER | | SHEET NUMBER | |
| A1-SIZE | | 91999 | | SEE SHEETS 2-18 | | GENERAL MARKET | | 5 OF 17 | | PRODUCT CUSTOMER DRAWING DOCUMENT NUMBER: 919990001 DOC TYPE: PSD DOC PART: 000 REVISION: L4 | | | | | |

3 CIRCUIT

SEE CODE DESIGNATION TABLE FOR NUMBERING
FORMAT WHEN ADDING NEW PART NUMBE

| PART NO. (TIN) | TERM NO. (TIN) | MOLEX HOUSING NO. | COLOUR | UNBLOCKED POSITION KEYS | UNBLOCKED CODING KEYS | LATCH POSITION | CONFIGURATION (SEE NOTES) | TERMINAL VOID CKT | TERM NO. (SILVER) | PART NO. (SILVER) | P.C.B. POLARISATION OPTION | PACKAGING OPTION * | COLOUR STRIPE |
|-------------------|-------------------|----------------------|---------|----------------------------|--------------------------|-------------------|------------------------------|----------------------|----------------------|----------------------|----------------------------------|-----------------------|------------------|
| 91999-0537 | 91703-0017 | 93002-1000 | NATURAL | 1b | 01c d20 | 1/2 | | NONE | 91703-0018 | 91999-1229 | C | A | NONE |
| 91999-0538 | 91703-0017 | 93002-1009 | NATURAL | 2b 3b | d10 02c | 2/3 | | NONE | 91703-0018 | 91999-1228 | C | A | NONE |
| 91999-0539 | 91703-0002 | 93002-1000 | NATURAL | 1b | 01c d20 | 1/2 | | NONE | 91703-0003 | 91999-1227 | B | A | NONE |
| 91999-0540 | 91703-0002 | 93002-1009 | NATURAL | 2b 3b | d10 02c | 2/3 | | NONE | 91703-0003 | 91999-1226 | B | A | NONE |
| 91999-0541 | 91703-0002 | 93002-1019 | NATURAL | 2a | 01c d30 | 1/2 | | NONE | 91703-0003 | 91999-1225 | A | A | NONE |
| 91999-0542 | 91703-0002 | 93002-1020 | NATURAL | 3b | 01c d30 | 1/2 | | NONE | 91703-0003 | 91999-1224 | A | A | NONE |
| 91999-0543 | 91703-0002 | 93002-1022 | NATURAL | 1b 2a | NONE | 1/2 | | NONE | 91703-0003 | 91999-1223 | A | A | NONE |
| 91999-0544 | 91703-0002 | 93002-1030 | NATURAL | 1b 2a 2b 3b | NONE | 2/3 | | NONE | 91703-0003 | 91999-1222 | A | A | NONE |
| 91999-0545 | 91703-0002 | 93002-1025 | NATURAL | 1a 1b | d20 | 1/2 | | NONE | 91703-0003 | 91999-1221 | A | A | NONE |
| 91999-0546 | 91703-0002 | 93002-1026 | NATURAL | 2a 3a | 01c d20 03c | 1/2 | | NONE | 91703-0003 | 91999-1220 | A | A | NONE |
| 91999-0548 | 91703-0002 | 93002-1027 | NATURAL | 1a 3a | d30 | 2/3 | | NONE | 91703-0003 | 91999-1218 | A | A | NONE |
| 91999-0549 | 91703-0002 | 93002-1028 | NATURAL | ALL | 01c d10 02c d30 | 2/3 | | NONE | 91703-0003 | 91999-1217 | A | A | NONE |
| 91999-0550 | 91703-0017 | 93002-1029 | NATURAL | 2a | d10 02c d30 | 2/3 | | NONE | 91703-0018 | 91999-1216 | C | A | NONE |
| 91999-0551 | 91703-0002 | 93002-1030 | NATURAL | 1b 2a 2b 3b | NONE | 2/3 | | NONE | 91703-0003 | 91999-1215 | B | A | NONE |
| 91999-0552 | 91703-0020 | 93002-1031 | NATURAL | 1b 2b | 01c d20 | 1/2 | | NONE | 91703-0021 | 91999-1214 | A | A | NONE |
| 91999-0553 | 91703-0017 | 93002-1014 | NATURAL | ALL | ALL | 1/2 | | NONE | 91703-0018 | 91999-1213 | C | A | NONE |
| 91999-0554 | 91703-0002 | 93002-1032 | NATURAL | 1a 3a | 03c | 1/2 | | NONE | 91703-0003 | 91999-1212 | A | A | NONE |
| 91999-0555 | 91703-0002 | 93002-1033 | NATURAL | 1b 2a 3b | 01c d20 | 1/2 | | NONE | 91703-0003 | 91999-1211 | A | A | NONE |

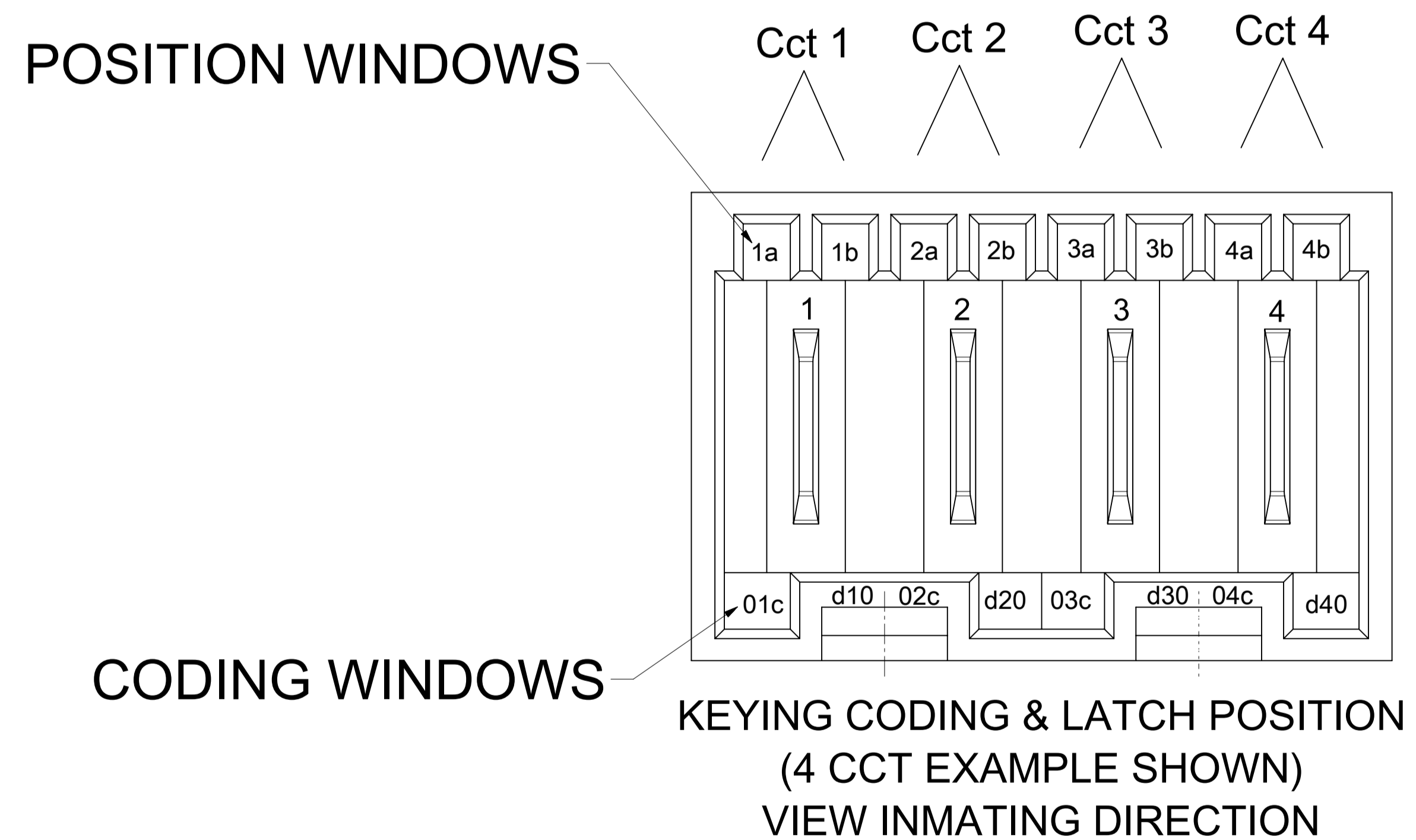
NOTES:
* SEE SHEET 1 NOTE 4

| | | | | | | | | | | | | | | | |
|-----------------------------------------------------------------------------------------------------------------------------------------------|--|---------------------|--|---------------------------------------------------------------------------------------------------------|--|----------------|--|------------------------------------------|--|------------------------|--|--------------------------|--|----------------|--|
| THIS DRAWING CONTAINS INFORMATION THAT IS PROPRIETARY TO MOLEX ELECTRONIC TECHNOLOGIES, LLC AND SHOULD NOT BE USED WITHOUT WRITTEN PERMISSION | | | | | | | | | | | | | | | |
| DIMENSION UNITS mm | | SCALE 1:1 | | CURRENT REV DESC: | | | | RAST 5 VERT HDR PA 66 HOUSING | | | | | | | |
| GENERAL TOLERANCES (UNLESS SPECIFIED) | | | | EC NO: 746008 DRWN: RAHULH3 2023/04/10 CHK'D: RAHULH3 2023/04/14 APPR: MRAMAKRISHNA 2023/04/14 | | | | | | | | | | | |
| ANGULAR TOL ± 2.0° | | 4 PLACES ± | | 3 PLACES ± | | 2 PLACES ± 0.1 | | 1 PLACE ± 0.2 | | 0 PLACES ± | | PRODUCT CUSTOMER DRAWING | | | |
| DRAFT WHERE APPLICABLE MUST REMAIN WITHIN DIMENSIONS | | | | THIRD ANGLE PROJECTION | | DRAWING | | SERIES | | MATERIAL NUMBER | | CUSTOMER | | SHEET NUMBER | |
| | | | | | | A1-SIZE | | 91999 | | 919990001 | | PSD 000 | | L4 | |
| | | | | | | | | | | SEE SHEETS 2-18 | | GENERAL MARKET | | 6 OF 17 | |

3 CIRCUIT

SEE CODE DESIGNATION TABLE FOR NUMBERING
FORMAT WHEN ADDING NEW PART NUMBE

| PART NO. (TIN) | TERM NO. (TIN) | MOLEX HOUSING NO. | COLOUR | UNBLOCKED POSITION KEYS | UNBLOCKED CODING KEYS | LATCH POSITION | CONFIGURATION (SEE NOTES) | TERMINAL VOID CKT | TERM NO. (SILVER) | PART NO. (SILVER) | P.C.B. POLARISATION OPTION | PACKAGING OPTION * | COLOUR STRIPE |
|-------------------|-------------------|----------------------|---------|----------------------------|--------------------------|-------------------|------------------------------|----------------------|----------------------|----------------------|----------------------------------|-----------------------|------------------|
| 91999-0557 | 91703-0002 | 93002-1034 | NATURAL | 3a | 03c d30 | 1/2 | | NONE | 91703-0003 | 91999-1209 | A | A | NONE |
| 91999-0558 | 91703-0002 | 93002-1025 | NATURAL | 1a 1b | d20 | 1/2 | | 2 | 91703-0003 | 91999-1208 | A | A | NONE |
| 91999-0559 | 91703-0002 | 93002-1037 | NATURAL | 1a 3a | 01c | 1/2 | | 2 | 91703-0003 | 91999-1207 | A | A | NONE |
| 91999-0560 | 91703-0002 | 93002-1037 | NATURAL | 1a 3a | 01c | 1/2 | | 2 | 91703-0003 | 91999-1206 | B | A | NONE |
| 91999-0561 | 91703-0002 | 93002-1038 | NATURAL | 2a 2b | NONE | 2/3 | | 2 | 91703-0003 | 91999-1205 | A | A | NONE |
| 91999-0562 | 91703-0002 | 93002-1021 | NATURAL | 1b 3a | 01c | 1/2 | | NONE | 91703-0003 | 91999-1204 | A | A | NONE |



NOTES:
* SEE SHEET 1 NOTE 4

| | | | | | | | | | | | |
|-----------------------------------------------------------------------------------------------------------------------------------------------|--------|---------------------------------------------------------------------------------------------------------------------------------------------------------------------------------------------------------------------------------------------------------------------------|------------|------------|--|--|--|--|--|--|--|
| THIS DRAWING CONTAINS INFORMATION THAT IS PROPRIETARY TO MOLEX ELECTRONIC TECHNOLOGIES, LLC AND SHOULD NOT BE USED WITHOUT WRITTEN PERMISSION | | | | | | | | | | | |
| DIMENSION UNITS | SCALE | CURRENT REV DESC: | | | | | | | | | |
| mm | 1:1 | <p>molex</p> <p>RAST 5 VERT HDR PA 66 HOUSING</p> <p>PRODUCT CUSTOMER DRAWING</p> <p>DOCUMENT NUMBER: 919990001 DOC TYPE: PSD DOC PART: 000 REVISION: L4</p> <p>MATERIAL NUMBER: SEE SHEETS 2-18 CUSTOMER: GENERAL MARKET SHEET NUMBER: 7 OF 17</p> | | | | | | | | | |
| GENERAL TOLERANCES (UNLESS SPECIFIED) | | | | | | | | | | | |
| ANGULAR TOL | ± 2.0° | | | | | | | | | | |
| 4 PLACES | ± | | | | | | | | | | |
| 3 PLACES | ± | | | | | | | | | | |
| 2 PLACES | ± 0.1 | EC NO: 746008 | 2023/04/10 | | | | | | | | |
| 1 PLACE | ± 0.2 | DRWN: RAHULH3 | 2023/04/14 | | | | | | | | |
| 0 PLACES | ± | CHK'D: RAHULH3 | 2023/04/14 | | | | | | | | |
| DRAFT WHERE APPLICABLE MUST REMAIN WITHIN DIMENSIONS | | APPR: MRAMAKRISHNA | 2023/04/14 | | | | | | | | |
| THIRD ANGLE PROJECTION | | INITIAL REVISION: | | 2017/09/15 | | | | | | | |
| DRAWING | | DRWN: AKABADI | | 2017/11/10 | | | | | | | |
| SERIES | | APPR: BRUTTLE | | 2017/11/10 | | | | | | | |
| A1-SIZE | | SERIES | | 91999 | | | | | | | |

4 CIRCUIT

SEE CODE DESIGNATION TABLE FOR NUMBERING
FORMAT WHEN ADDING NEW PART NUMBE

| PART NO. (TIN) | TERM NO. (TIN) | MOLEX HOUSING NO. | COLOUR | UNBLOCKED POSITION KEYS | UNBLOCKED CODING KEYS | LATCH POSITION | CONFIGURATION (SEE NOTES) | TERMINAL VOID CKT | TERM NO. (SILVER) | PART NO. (SILVER) | P.C.B. POLARISATION OPTION | PACKAGING OPTION * | COLOUR STRIPE |
|-------------------|-------------------|----------------------|---------|----------------------------|--------------------------|-------------------|------------------------------|----------------------|----------------------|----------------------|----------------------------------|-----------------------|------------------|
| 91999-1254 | 91703-0002 | 93002-2000 | NATURAL | 1b | 03c d40 | 1/2 3/4 | | NONE | 91703-0003 | 91999-1999 | A | A | NONE |
| 91999-1264 | 91703-0002 | 93002-2001 | NATURAL | 1a 4b | d40 | 1/2 3/4 | | NONE | 91703-0003 | 91999-1998 | A | A | NONE |
| 91999-1265 | 91703-0002 | 93002-2002 | NATURAL | 2a 4b | d20 | 1/2 3/4 | | NONE | 91703-0003 | 91999-1996 | A | A | NONE |
| 91999-1267 | 91703-0002 | 93002-2003 | NATURAL | 1b 2a 3a 4b | 01c d40 | 1/2 3/4 | | NONE | 91703-0003 | 91999-1994 | A | A | NONE |
| 91999-1270 | 91703-0002 | 93002-2004 | NATURAL | 1a 2b 4b | 01c 03c d40 | 1/2 3/4 | | NONE | 91703-0003 | 91999-1993 | A | A | NONE |
| 91999-1274 | 91703-0002 | 93002-2005 | NATURAL | 1a 3a 3b | 01c d20 d40 | 1/2 3/4 | | NONE | 91703-0003 | 91999-1992 | A | A | NONE |
| 91999-1275 | 91703-0002 | 93002-2006 | NATURAL | 1b 2a 4b | 01c d20 03c | 1/2 3/4 | | NONE | 91703-0003 | 91999-1991 | A | A | NONE |
| 91999-1278 | 91703-0002 | 93002-2007 | NATURAL | 1a 3a | d40 | 1/2 3/4 | | NONE | 91703-0003 | 91999-1987 | A | A | NONE |
| 91999-1280 | 91703-0002 | 93002-2008 | NATURAL | 1a 2b 3b 4a | 01c 03c d40 | 1/2 3/4 | | NONE | 91703-0003 | 91999-1988 | A | A | NONE |
| 91999-1281 | 91703-0002 | 93002-2009 | NATURAL | 2a 4b | d20 03c | 1/2 3/4 | | NONE | 91703-0003 | 91999-1986 | A | A | NONE |
| 91999-1282 | 91703-0002 | 93002-2010 | NATURAL | 3b | d30 | 2/3 | | NONE | 91703-0003 | 91999-1985 | A | A | NONE |
| 91999-1283 | 91703-0002 | 93002-2011 | NATURAL | 1b 2a 4b | 01c d20 03c d40 | 1/2 3/4 | | NONE | 91703-0003 | 91999-1984 | A | A | NONE |
| 91999-1284 | 91703-0002 | 93002-2012 | NATURAL | 2a 3a 3b 4b | 01c d20 03c d40 | 1/2 3/4 | | NONE | 91703-0003 | 91999-1983 | A | A | NONE |
| 91999-1285 | 91703-0002 | 93002-2013 | NATURAL | 2a 2b 3b 4b | 01c d20 03c d40 | 1/2 3/4 | | NONE | 91703-0003 | 91999-1982 | A | A | NONE |
| 91999-1287 | 91703-0002 | 93002-2015 | NATURAL | 1a 4b | 01c | 1/2 3/4 | | NONE | 91703-0003 | 91999-1980 | A | A | NONE |
| 91999-1288 | 91703-0002 | 93002-2016 | NATURAL | 1b 2b 3b 4a | 01c 03c d40 | 1/2 3/4 | | NONE | 91703-0003 | 91999-1979 | A | A | NONE |
| 91999-1289 | 91703-0017 | 93002-2000 | NATURAL | 1b | 03c d40 | 1/2 3/4 | | NONE | 91703-0018 | 91999-1978 | C | A | NONE |
| 91999-1290 | 91703-0002 | 93002-2017 | NATURAL | 1b 2a 2b 3a 4a 4b | 03c d40 | 1/2 3/4 | | NONE | 91703-0003 | 91999-1977 | A | A | NONE |
| 91999-1291 | 91703-0002 | 93002-2018 | NATURAL | ALL | ALL | 1/2 3/4 | | NONE | 91703-0003 | 91999-1976 | A | A | NONE |

NOTES:
* SEE SHEET 1 NOTE 4

| | | | | | | | | | | | | | | | | | |
|-----------------------------------------------------------------------------------------------------------------------------------------------|--|---------------------|--|---------------------------------------------------------------------------------------------------------|--|---------------------|--|------------------------------------|--|-------------------------------------|--|--------------------------|--|------------------------|--|-----------------------|--|
| THIS DRAWING CONTAINS INFORMATION THAT IS PROPRIETARY TO MOLEX ELECTRONIC TECHNOLOGIES, LLC AND SHOULD NOT BE USED WITHOUT WRITTEN PERMISSION | | | | | | | | | | | | | | | | | |
| DIMENSION UNITS mm | | SCALE 1:1 | | CURRENT REV DESC: | | | | RAST 5 VERT HDR PA 66 HOUSING | | | | | | | | | |
| GENERAL TOLERANCES (UNLESS SPECIFIED) | | | | EC NO: 746008 DRWN: RAHULH3 2023/04/10 CHK'D: RAHULH3 2023/04/14 APPR: MRAMAKRISHNA 2023/04/14 | | | | | | | | | | | | | |
| ANGULAR TOL ± 2.0° | | 4 PLACES ± | | 3 PLACES ± | | 2 PLACES ± 0.1 | | 1 PLACE ± 0.2 | | 0 PLACES ± | | PRODUCT CUSTOMER DRAWING | | | | | |
| DRAFT WHERE APPLICABLE MUST REMAIN WITHIN DIMENSIONS | | | | THIRD ANGLE PROJECTION | | DRAWING | | SERIES A1-SIZE 91999 | | DOCUMENT NUMBER 919990001 | | DOC TYPE PSD | | DOC PART 000 | | REVISION L4 | |
| DOCUMENT STATUS | | P1 | | RELEASE DATE | | 2023/04/14 14:04:31 | | MATERIAL NUMBER SEE SHEETS 2-18 | | CUSTOMER GENERAL MARKET | | SHEET NUMBER 8 OF 17 | | | | | |

4 CIRCUIT

SEE CODE DESIGNATION TABLE FOR NUMBERING
FORMAT WHEN ADDING NEW PART NUMBE

| PART NO. (TIN) | TERM NO. (TIN) | MOLEX HOUSING NO. | COLOUR | UNBLOCKED POSITION KEYS | UNBLOCKED CODING KEYS | LATCH POSITION | CONFIGURATION (SEE NOTES) | TERMINAL VOID CKT | TERM NO. (SILVER) | PART NO. (SILVER) | P.C.B. POLARISATION OPTION | PACKAGING OPTION * | COLOUR STRIPE |
|----------------|----------------|-------------------|---------|-------------------------|-----------------------|----------------|---------------------------|-------------------|-------------------|-------------------|----------------------------|--------------------|---------------|
| 91999-1292 | 91703-0002 | 93002-2019 | NATURAL | 1b 2a 3a 4a | 01c d20 03c | 1/2 3/4 | | NONE | 91703-0003 | 91999-1975 | A | A | NONE |
| 91999-1293 | 91703-0002 | 93002-2020 | NATURAL | 1b 2b 3b 4a | 01c 03c d40 | 1/2 3/4 | | NONE | 91703-0003 | 91999-1974 | A | A | NONE |
| 91999-1294 | 91703-0002 | 93002-2021 | NATURAL | 1a 2a 2b 3a 3b 4a 4b | NONE | 1/2 3/4 | | NONE | 91703-0003 | 91999-1973 | A | A | NONE |
| 91999-1295 | 91703-0002 | 93002-2023 | NATURAL | 1b 3b 4b | 01c d20 03c | 1/2 3/4 | | NONE | 91703-0003 | 91999-1972 | A | A | NONE |
| 91999-1296 | 91703-0002 | 93002-2000 | NATURAL | 1b | 03c d40 | 1/2 3/4 | | NONE | 91703-0003 | 91999-1971 | B | A | NONE |
| 91999-1297 | 91703-0002 | 93002-2015 | NATURAL | 1a 4b | 01c | 1/2 3/4 | | NONE | 91703-0003 | 91999-1970 | B | A | NONE |
| 91999-1298 | 91703-0002 | 93002-2026 | RED | 1a 2a 4b | 01c d20 03c d40 | 1/2 3/4 | | NONE | 91703-0003 | 91999-1969 | A | A | NONE |
| 91999-1299 | 91703-0002 | 93002-2027 | GREEN | 2a 3a 3b 4b | 01c d20 03c d40 | 1/2 3/4 | | NONE | 91703-0003 | 91999-1968 | A | A | NONE |
| 91999-1300 | 91703-0002 | 93002-2001 | NATURAL | 1a 4b | d40 | 1/2 3/4 | | NONE | 91703-0003 | 91999-1951 | B | A | NONE |
| 91999-1301 | 91703-0002 | 93002-2047 | GREEN | 1b | 03c d40 | 1/2 3/4 | | NONE | 91703-0003 | 91999-1950 | A | A | NONE |
| 91999-1255 | 91703-0002 | 93002-2033 | NATURAL | 1b 2a 3a 4b | 01c d20 03c | 1/2 3/4 | | NONE | 91703-0003 | 91999-1963 | A | A | NONE |
| 91999-1256 | 91703-0002 | 93002-2034 | NATURAL | 1b 2b 3a 4b | 01c d40 | 1/2 3/4 | | NONE | 91703-0003 | 91999-1962 | A | A | NONE |
| 91999-1257 | 91703-0002 | 93002-2035 | NATURAL | 2a 2b 3a 4a | 01c 03c | 1/2 3/4 | | NONE | 91703-0003 | 91999-1961 | A | A | NONE |
| 91999-1258 | 91703-0017 | 93002-2015 | NATURAL | 1a 4b | 01c | 1/2 3/4 | | NONE | 91703-0018 | 91999-1960 | C | A | NONE |
| 91999-1259 | 91703-0017 | 93002-2010 | NATURAL | 3b | d30 | 2/3 | | NONE | 91703-0018 | 91999-1959 | C | A | NONE |
| 91999-1260 | 91703-0017 | 93002-2011 | NATURAL | 1b 2a 4b | 01c d20 03c d40 | 1/2 3/4 | | NONE | 91703-0018 | 91999-1958 | C | A | NONE |
| 91999-1261 | 91703-0002 | 93002-2036 | NATURAL | 1b 2a 3a 3b 4b | 01c d20 03c d40 | 1/2 3/4 | | NONE | 91703-0003 | 91999-1957 | A | A | NONE |
| 91999-1262 | 91703-0002 | 93002-2000 | NATURAL | 1b | 03c d40 | 1/2 3/4 | | CCT 3 | 91703-0003 | 91999-1956 | A | A | NONE |
| 91999-1263 | 91703-0002 | 93002-2037 | NATURAL | 1b 3b | d10 03c d40 | 3/4 | | NONE | 91703-0003 | 91999-1955 | A | A | NONE |
| 91999-1266 | 91703-0002 | 93002-2038 | NATURAL | 2a 3b 4b | 01c d20 03c d40 | 1/2 3/4 | | NONE | 91703-0003 | 91999-1954 | A | A | NONE |

NOTES:
* SEE SHEET 1 NOTE 4

| | | | | | | | | | | | | | |
|-----------------------------------------------------------------------------------------------------------------------------------------------|--|------------------------|--|-------------------------------------|--|--------------------------------|--|------------------------------------|--|----------------------------|--|-----------------------|--|
| THIS DRAWING CONTAINS INFORMATION THAT IS PROPRIETARY TO MOLEX ELECTRONIC TECHNOLOGIES, LLC AND SHOULD NOT BE USED WITHOUT WRITTEN PERMISSION | | | | | | | | | | | | | |
| DIMENSION UNITS mm | | SCALE 1:1 | | CURRENT REV DESC: | | | | | | | | | |
| GENERAL TOLERANCES (UNLESS SPECIFIED) | | | | EC NO: 746008 | | | | | | | | | |
| ANGULAR TOL ± 2.0° | | | | DRWN: RAHULH3 2023/04/14 | | | | | | | | | |
| 4 PLACES ± | | | | CHK'D: RAHULH3 2023/04/14 | | | | | | | | | |
| 3 PLACES ± | | | | APPR: MRAMAKRISHNA 2023/04/14 | | | | | | | | | |
| 2 PLACES ± 0.1 | | | | INITIAL REVISION: | | | | | | | | | |
| 1 PLACE ± 0.2 | | | | DRWN: AKABADI 2017/09/15 | | | | | | | | | |
| 0 PLACES ± | | | | APPR: BRUTTLE 2017/11/10 | | | | | | | | | |
| DRAFT WHERE APPLICABLE MUST REMAIN WITHIN DIMENSIONS | | THIRD ANGLE PROJECTION | | DRAWING | | SERIES A1-SIZE 91999 | | MATERIAL NUMBER SEE SHEETS 2-18 | | CUSTOMER GENERAL MARKET | | | |
| DOCUMENT STATUS P1 RELEASE DATE 2023/04/14 14:04:31 | | | | DOCUMENT NUMBER 919990001 | | | | DOC TYPE PSD | | DOC PART 000 | | REVISION L4 | |
| SHEET NUMBER 9 OF 17 | | | | | | | | | | | | | |



RAST 5 VERT HDR PA 66 HOUSING

PRODUCT CUSTOMER DRAWING

SHEET NUMBER
9 OF 17

4 CIRCUIT

SEE CODE DESIGNATION TABLE FOR NUMBERING
FORMAT WHEN ADDING NEW PART NUMBE

| PART NO. (TIN) | TERM NO. (TIN) | MOLEX HOUSING NO. | COLOUR | UNBLOCKED POSITION KEYS | UNBLOCKED CODING KEYS | LATCH POSITION | CONFIGURATION (SEE NOTES) | TERMINAL VOID CKT | TERM NO. (SILVER) | PART NO. (SILVER) | P.C.B. POLARISATION OPTION | PACKAGING OPTION * | COLOUR STRIPE |
|----------------|----------------|-------------------|---------|-------------------------|-----------------------|----------------|---------------------------|-------------------|-------------------|-------------------|----------------------------|--------------------|---------------|
| 91999-1268 | 91703-0002 | 93002-2039 | NATURAL | 1b | 01c d20 03c d40 | 1/2 3/4 | | NONE | 91703-0003 | 91999-1953 | A | A | NONE |
| 91999-1269 | 91703-0017 | 93002-2002 | NATURAL | 2a 4b | d20 | 1/2 3/4 | | NONE | 91703-0018 | 91999-1989 | C | A | NONE |
| 91999-1253 | 91703-0017 | 93002-2004 | NATURAL | 1a 2b 4b | 01c 03c d40 | 1/2 3/4 | | NONE | 91703-0018 | 91999-1952 | C | A | NONE |
| 91999-7000 | 91703-0002 | 93002-2999 | NATURAL | 1b 2b 3b 4a | 01c 03c d40 | 1/2 3/4 | | NONE | 91703-0003 | 91999-7500 | A | A | NONE |
| 91999-7001 | 91703-0002 | 93002-2040 | NATURAL | 1a 1b 2a 3b 4a 4b | 01c 02c 03c d40 | 3/4 | | NONE | 91703-0003 | 91999-7501 | A | A | NONE |
| 91999-7002 | 91703-0002 | 93002-2041 | NATURAL | 1a | 01c d20 03c | 1/2 | | NONE | 91703-0003 | 91999-7502 | A | A | NONE |
| 91999-7003 | 91703-0002 | 93002-2042 | NATURAL | 2a 2b 3b 4a | 01c 03c d40 | 1/2 | | NONE | 91703-0003 | 91999-7503 | A | A | NONE |
| 91999-7004 | 91703-0017 | 93002-2036 | NATURAL | 1b 2a 3a 3b 4b | 01c d20 03c d40 | 1/2 3/4 | | NONE | 91703-0018 | 91999-7504 | C | A | NONE |
| 91999-7005 | 91703-0002 | 93002-2044 | NATURAL | 2a 3b | 01c d40 | 1/2 3/4 | | NONE | 91703-0003 | 91999-7505 | A | A | NONE |
| 91999-7006 | 91703-0002 | 93002-2046 | NATURAL | 1b 2a 3a 4b | d20 03c | 1/2 3/4 | | NONE | 91703-0003 | 91999-7506 | A | A | NONE |
| 91999-1279 | 91703-0002 | 93002-2028 | NATURAL | 1b 2a 4b | d20 03c d40 | 1/2 3/4 | | NONE | 91703-0003 | 91999-1967 | A | A | NONE |
| 91999-1251 | 91703-0002 | 93002-2029 | NATURAL | 1a 3b 4a | 01c d20 d40 | 1/2 3/4 | | NONE | 91703-0003 | 91999-1966 | A | A | NONE |
| 91999-1252 | 91703-0002 | 93002-2030 | NATURAL | 1a 2b 3b 4a | d20 d40 | 1/2 3/4 | | NONE | 91703-0003 | 91999-1965 | A | A | NONE |
| 91999-1302 | 91703-0002 | 93002-2000 | NATURAL | 1b | 03c d40 | 1/2 3/4 | | CCT 3 | 91703-0003 | 91999-1952 | B | A | NONE |

NOTES:

* SEE SHEET 1 NOTE 4

| | | | | | | | | | | | | | |
|-----------------------------------------------------------------------------------------------------------------------------------------------|--------|---------------------------------------------------------------|------------|--------|-----------------|--|--|-------------------|--|----------|----------|----------------|--------------|
| THIS DRAWING CONTAINS INFORMATION THAT IS PROPRIETARY TO MOLEX ELECTRONIC TECHNOLOGIES, LLC AND SHOULD NOT BE USED WITHOUT WRITTEN PERMISSION | | | | | | | | | | | | | |
| DIMENSION UNITS | SCALE | CURRENT REV DESC: | | | | | | | | | | | |
| mm | 1:1 | RAST 5 VERT HDR PA 66 HOUSING PRODUCT CUSTOMER DRAWING | | | | | | | | | | | |
| GENERAL TOLERANCES (UNLESS SPECIFIED) | | | | | | | | | | | | | |
| ANGULAR TOL | ± 2.0° | | | | | | | | | | | | |
| 4 PLACES | ± | | | | | | | | | | | | |
| 3 PLACES | ± | | | | | | | | | | | | |
| 2 PLACES | ± 0.1 | EC NO: 746008 | 2023/04/14 | | | | | DOCUMENT NUMBER | | DOC TYPE | DOC PART | REVISION | |
| 1 PLACE | ± 0.2 | DRWN: RAHULH3 | 2023/04/14 | | | | | 919990001 | | PSD | 000 | L4 | |
| 0 PLACES | ± | APPR: MRAMAKRISHNA | 2023/04/14 | | | | | INITIAL REVISION: | | | | | |
| DRAFT WHERE APPLICABLE MUST REMAIN WITHIN DIMENSIONS | | THIRD ANGLE PROJECTION | DRAWING | SERIES | MATERIAL NUMBER | | | | | | | CUSTOMER | SHEET NUMBER |
| | | | A1-SIZE | 91999 | SEE SHEETS 2-18 | | | | | | | GENERAL MARKET | 10 OF 17 |

5 CIRCUIT

SEE CODE DESIGNATION TABLE FOR NUMBERING
FORMAT WHEN ADDING NEW PART NUMBE

| PART NO. (TIN) | TERM NO. (TIN) | MOLEX HOUSING NO. | COLOUR | UNBLOCKED POSITION KEYS | UNBLOCKED CODING KEYS | LATCH POSITION | CONFIGURATION (SEE NOTES) | TERMINAL VOID CKT | TERM NO. (SILVER) | PART NO. (SILVER) | P.C.B. POLARISATION OPTION | PACKAGING OPTION * | COLOUR STRIPE |
|-------------------|-------------------|----------------------|---------|----------------------------|--------------------------|-------------------|------------------------------|----------------------|----------------------|----------------------|----------------------------------|-----------------------|------------------|
| 91999-2000 | 91703-0002 | 93002-3000 | NATURAL | 1a 5b | 01c d30 | 1/2 2/3 | | NONE | 91703-0003 | 91999-2749 | A | A | NONE |
| 91999-2001 | 91703-0002 | 93002-3001 | NATURAL | 1a 3a | 01c d30 | 1/2 4/5 | | NONE | 91703-0003 | 91999-2748 | A | A | NONE |
| 91999-2002 | 91703-0002 | 93002-3002 | NATURAL | 1a 5b | 01c d20 03c d50 | 1/2 3/4 | | NONE | 91703-0003 | 91999-2747 | A | A | NONE |
| 91999-2003 | 91703-0002 | 93002-3003 | NATURAL | 1b 2a 3b 5a | 01c 03c | 1/2 3/4 | | NONE | 91703-0003 | 91999-2746 | A | A | NONE |
| 91999-2004 | 91703-0002 | 93002-3004 | NATURAL | 1a 2a 2b 4b 5b | 01c d30 04c d50 | 1/2 2/3 4/5 | | NONE | 91703-0003 | 91999-2745 | A | A | NONE |
| 91999-2006 | 91703-0002 | 93002-3005 | NATURAL | 2a | 01c d50 | 2/3 4/5 | | NONE | 91703-0003 | 91999-2742 | A | A | NONE |
| 91999-2012 | 91703-0002 | 93002-3006 | NATURAL | 2a 4b | 01c d20 d40 | 1/2 3/4 | | NONE | 91703-0003 | 91999-2743 | A | A | NONE |
| 91999-2013 | 91703-0002 | 93002-3007 | NATURAL | 2b | d20 | 1/2 4/5 | | NONE | 91703-0003 | 91999-2741 | A | A | NONE |
| 91999-2014 | 91703-0002 | 93002-3008 | NATURAL | 4b 5a | 01c d30 04c d50 | 1/2 4/5 | | NONE | 91703-0003 | 91999-2740 | A | A | NONE |
| 91999-2015 | 91703-0002 | 93002-3009 | NATURAL | NONE | 01c d40 | 1/2 3/4 | | NONE | 91703-0003 | 91999-2739 | A | A | NONE |
| 91999-2017 | 91703-0002 | 93002-3010 | NATURAL | 1a 4a | d30 | 1/2 4/5 | | NONE | 91703-0003 | 91999-2737 | A | A | NONE |
| 91999-2024 | 91703-0002 | 93002-3011 | NATURAL | 1a 5b | d20 d40 | 1/2 3/4 | | NONE | 91703-0003 | 91999-2732 | A | A | NONE |
| 91999-2025 | 91703-0002 | 93002-3019 | NATURAL | 2b | d20 d50 | 1/2 3/4 | | NONE | 91703-0003 | 91999-2733 | A | A | NONE |
| 91999-2006 | 91703-0002 | 93002-3005 | NATURAL | 2a | 01c d50 | 2/3 4/5 | | NONE | 91703-0003 | 91999-2742 | A | A | NONE |
| 91999-2027 | 91703-0002 | 93002-3020 | NATURAL | 1a 3a 4b 5a | 03c 04c | 1/2 4/5 | | NONE | 91703-0003 | 91999-2735 | A | A | NONE |
| 91999-2029 | 91703-0002 | 93002-3016 | NATURAL | 1b 2a 4a | 01c 04c d50 | 1/2 4/5 | | NONE | 91703-0003 | 91999-2730 | A | A | NONE |
| 91999-2030 | 91703-0002 | 93002-3017 | NATURAL | 2b 3b 4a | 01c d20 d40 | 1/2 3/4 | | NONE | 91703-0003 | 91999-2729 | A | A | NONE |
| 91999-2031 | 91703-0002 | 93002-3022 | NATURAL | 1a 5b | 01c d20 03c d50 | 1/2 4/5 | | NONE | 91703-0003 | 91999-2728 | A | A | NONE |
| 91999-2032 | 91703-0002 | 93002-3023 | NATURAL | 1a 1b 4a | d30 04c d50 | 1/2 4/5 | | NONE | 91703-0003 | 91999-2727 | A | A | NONE |

NOTES:
* SEE SHEET 1 NOTE 4

| | | | | | | | | | | | | | | | |
|-----------------------------------------------------------------------------------------------------------------------------------------------|--|---------------------|--|---------------------------------------------------------------------------------------------------------|--|---------------------------|--|-----------------------------------|--|-------------------------------------|--|--------------------------------------------------|--|--------------------------|--|
| THIS DRAWING CONTAINS INFORMATION THAT IS PROPRIETARY TO MOLEX ELECTRONIC TECHNOLOGIES, LLC AND SHOULD NOT BE USED WITHOUT WRITTEN PERMISSION | | | | | | | | | | | | | | | |
| DIMENSION UNITS mm | | SCALE 1:1 | | CURRENT REV DESC: | | | | RAST 5 VERT HDR PA 66 HOUSING | | | | | | | |
| GENERAL TOLERANCES (UNLESS SPECIFIED) | | | | EC NO: 746008 DRWN: RAHULH3 2023/04/10 CHK'D: RAHULH3 2023/04/14 APPR: MRAMAKRISHNA 2023/04/14 | | | | | | | | | | | |
| ANGULAR TOL ± 2.0° | | | | INITIAL REVISION: DRWN: AKABADI 2017/09/15 APPR: BRUTTLE 2017/11/10 | | | | PRODUCT CUSTOMER DRAWING | | | | | | | |
| 4 PLACES ± | | 3 PLACES ± | | 2 PLACES ± 0.1 | | 1 PLACE ± 0.2 | | 0 PLACES ± | | DOCUMENT NUMBER 919990001 | | DOC TYPE DOC PART REVISION PSD 000 L4 | | | |
| DRAFT WHERE APPLICABLE MUST REMAIN WITHIN DIMENSIONS | | | | THIRD ANGLE PROJECTION | | DRAWING A1-SIZE | | SERIES 91999 | | MATERIAL NUMBER SEE SHEETS 2-18 | | CUSTOMER GENERAL MARKET | | SHEET NUMBER 11 OF 17 | |

5 CIRCUIT

SEE CODE DESIGNATION TABLE FOR NUMBERING
FORMAT WHEN ADDING NEW PART NUMBE

| PART NO. (TIN) | TERM NO. (TIN) | MOLEX HOUSING NO. | COLOUR | UNBLOCKED POSITION KEYS | UNBLOCKED CODING KEYS | LATCH POSITION | CONFIGURATION (SEE NOTES) | TERMINAL VOID CKT | TERM NO. (SILVER) | PART NO. (SILVER) | P.C.B. POLARISATION OPTION | PACKAGING OPTION * | COLOUR STRIPE |
|-------------------|-------------------|----------------------|---------|----------------------------|--------------------------|-------------------|------------------------------|----------------------|----------------------|----------------------|----------------------------------|-----------------------|------------------|
| 91999-2033 | 91703-0002 | 93002-3002 | NATURAL | 1a 5b | 01c d20 03c d50 | 1/2 3/4 | | NONE | 91703-0003 | 91999-2726 | B | A | NONE |
| 91999-2034 | 91703-0017 | 93002-3001 | NATURAL | 1a 3a | 01c d30 | 1/2 4/5 | | NONE | 91703-0018 | 91999-2725 | C | A | NONE |
| 91999-2035 | 91703-0002 | 93002-3024 | NATURAL | ALL | ALL | 1/2 3/4 | | NONE | 91703-0003 | 91999-2724 | A | A | NONE |
| 91999-2036 | 91703-0017 | 93002-3000 | NATURAL | 1a 5b | 01c d30 | 1/2 2/3 | | NONE | 91703-0018 | 91999-2723 | C | A | NONE |
| 91999-2038 | 91703-0002 | 93002-3000 | NATURAL | 1a 5b | 01c d30 | 1/2 2/3 | | NONE | 91703-0003 | 91999-2721 | B | A | NONE |
| 91999-2039 | 91703-0017 | 93002-3003 | NATURAL | 1b 2a 3b 5a | 01c 03c | 1/2 3/4 | | NONE | 91703-0018 | 91999-2720 | C | A | NONE |
| 91999-2040 | 91703-0002 | 93002-3003 | NATURAL | 1b 2a 3b 5a | 01c 03c | 1/2 3/4 | | NONE | 91703-0003 | 91999-2719 | B | A | NONE |
| 91999-2041 | 91703-0002 | 93002-3026 | NATURAL | 2a 2b 3b 4a | d20 d40 | 1/2 3/4 | | NONE | 91703-0003 | 91999-2718 | A | A | NONE |
| 91999-2042 | 91703-0017 | 93002-3002 | NATURAL | 1a 5b | 01c d20 03c d50 | 1/2 3/4 | | NONE | 91703-0018 | 91999-2717 | C | A | NONE |
| 91999-2043 | 91703-0002 | 93002-3029 | NATURAL | 1b 3b 4b | 01c d20 d50 | 1/2 4/5 | | 2,4 | 91703-0003 | 91999-2716 | A | A | NONE |
| 91999-2044 | 91703-0002 | 93002-3007 | NATURAL | 2b | d20 | 1/2 4/5 | | 4 | 91703-0003 | 91999-2715 | A | A | NONE |
| 91999-2045 | 91703-0002 | 93002-3030 | NATURAL | 1a 2b 4b | 03c d50 | 1/2 4/5 | | NONE | 91703-0003 | 91999-2714 | A | A | NONE |
| 91999-2046 | 91703-0002 | 93002-3031 | NATURAL | 2b | d20 | 1/2 | | 2,4 | 91703-0003 | 91999-2713 | A | A | NONE |
| ---- | 91703-0002 | 93002-3022 | NATURAL | 1a 5b | 01c d20 03c d50 | 1/2 4/5 | | 2,4 | 91703-0003 | 91999-2712 | A | A | NONE |
| 91999-2048 | 91703-0002 | 93002-3022 | NATURAL | 1a 5b | 01c d20 03c d50 | 1/2 4/5 | | 2,4 | 91703-0003 | 91999-2711 | B | A | NONE |
| 91999-2049 | 91703-0002 | 93002-3007 | NATURAL | 2b | d20 | 1/2 4/5 | | 2,4 | 91703-0003 | 91999-2710 | B | A | NONE |
| 91999-2050 | 91703-0002 | 93002-3020 | NATURAL | 1a 3a 4b 5a | 03c 04c | 1/2 4/5 | | 4 | 91703-0003 | 91999-2709 | A | A | NONE |
| 91999-2051 | 91703-0002 | 93002-3006 | NATURAL | 2a 4b | 01c d20 d40 | 1/2 3/4 | | NONE | 91703-0003 | 91999-2708 | B | A | NONE |
| 91999-2052 | 91703-0002 | 93002-3006 | NATURAL | 2a 4b | 01c d20 d40 | 1/2 3/4 | | 4 | 91703-0003 | 91999-2708 | A | A | NONE |

NOTES:

* SEE SHEET 1 NOTE 4

| | | | | | | | | | | | |
|-----------------------------------------------------------------------------------------------------------------------------------------------|--|-------------------------------------|--|----------------------------------------------------------------------------------------|--|---------------------------|--|---------------------------------------------------------------------------|--|------------------------------------|--|
| THIS DRAWING CONTAINS INFORMATION THAT IS PROPRIETARY TO MOLEX ELECTRONIC TECHNOLOGIES, LLC AND SHOULD NOT BE USED WITHOUT WRITTEN PERMISSION | | | | | | | | | | | |
| DIMENSION UNITS mm | | SCALE 1:1 | | CURRENT REV DESC: | | | | RAST 5 VERT HDR PA 66 HOUSING | | | |
| GENERAL TOLERANCES (UNLESS SPECIFIED) | | | | EC NO: 746008 | | | | | | | |
| ANGULAR TOL ± 2.0° | | 4 PLACES ± | | 3 PLACES ± | | 2 PLACES ± 0.1 | | 1 PLACE ± 0.2 | | 0 PLACES ± | |
| DRAFT WHERE APPLICABLE MUST REMAIN WITHIN DIMENSIONS | | | | THIRD ANGLE PROJECTION | | DRAWING A1-SIZE | | SERIES 91999 | | MATERIAL NUMBER SEE SHEETS 2-18 | |
| DOCUMENT STATUS P1 | | RELEASE DATE 2023/04/14 14:04:31 | | DRWN: RAHULH3 2023/04/10 CHK'D: RAHULH3 2023/04/14 APPR: MRAMAKRISHNA 2023/04/14 | | | | INITIAL REVISION: DRWN: AKABADI 2017/09/15 APPR: BRUTTLE 2017/11/10 | | | |
| DOCUMENT NUMBER 919990001 | | | | DOC TYPE PSD | | DOC PART 000 | | REVISION L4 | | CUSTOMER GENERAL MARKET | |
| SHEET NUMBER 12 OF 17 | | | | | | | | | | | |

6 CIRCUIT

SEE CODE DESIGNATION TABLE FOR NUMBERING
FORMAT WHEN ADDING NEW PART NUMBE

| PART NO. (TIN) | TERM NO. (TIN) | MOLEX HOUSING NO. | COLOUR | UNBLOCKED POSITION KEYS | UNBLOCKED CODING KEYS | LATCH POSITION | CONFIGURATION (SEE NOTES) | TERMINAL VOID CKT | TERM NO. (SILVER) | PART NO. (SILVER) | P.C.B. POLARISATION OPTION | PACKAGING OPTION * | COLOUR STRIPE |
|-------------------|-------------------|----------------------|---------|----------------------------|--------------------------|-------------------|------------------------------|----------------------|----------------------|----------------------|----------------------------------|-----------------------|------------------|
| 91999-2753 | 91703-0002 | 93002-4000 | NATURAL | 1b | 03c d60 | 1/2 4/5 | | NONE | 91703-0003 | 91999-3499 | A | A | NONE |
| 91999-2754 | 91703-0002 | 93002-4001 | NATURAL | 1a 3b 4b | 01c d50 06c | 1/2 4/5 | | NONE | 91703-0003 | 91999-3498 | A | A | NONE |
| 91999-2755 | 91703-0002 | 93002-4002 | NATURAL | 1a 1b 2b 3a 3b 4b | d30 04c d50 | 1/2 2/3 4/5 | | NONE | 91703-0003 | 91999-3497 | A | A | NONE |
| 91999-2756 | 91703-0002 | 93002-4003 | NATURAL | 1a 1b 4a 4b | d10 d50 | 2/3 4/5 | | NONE | 91703-0003 | 91999-3496 | A | A | NONE |
| 91999-2757 | 91703-0002 | 93002-4004 | NATURAL | 2a 4b 5a 6b | d20 03c 05c | 1/2 3/4 5/6 | | NONE | 91703-0003 | 91999-3495 | A | A | NONE |
| 91999-2758 | 91703-0002 | 93002-4005 | NATURAL | 1a 2b 3a 3b 5b 6b | 01c d40 d60 | 1/2 3/4 5/6 | | NONE | 91703-0003 | 91999-3494 | A | A | NONE |
| 91999-2759 | 91703-0002 | 93002-4006 | NATURAL | 1b 2a 3a 4b 5a 5b 6b | 01c 03c d60 | 1/2 3/4 5/6 | | NONE | 91703-0003 | 91999-3493 | A | A | NONE |
| 91999-2761 | 91703-0002 | 93002-4007 | NATURAL | 2b | d20 d60 | 1/2 5/6 | | NONE | 91703-0003 | 91999-3492 | A | A | NONE |
| 91999-2762 | 91703-0002 | 93002-4008 | NATURAL | 2b 3b 4a | 01c d50 06c | 1/2 4/5 | | NONE | 91703-0003 | 91999-3491 | A | A | NONE |
| 91999-2768 | 91703-0002 | 93002-4009 | NATURAL | 1b 4b | d20 03c d50 06c | 1/2 4/5 | | NONE | 91703-0003 | 91999-3486 | A | A | NONE |
| 91999-2769 | 91703-0002 | 93002-4010 | NATURAL | 1a 2b 3b 4a 6b | 01c 03c d40 05c d60 | 1/2 3/4 5/6 | | NONE | 91703-0003 | 91999-3485 | A | A | NONE |
| 91999-2770 | 91703-0002 | 93002-4011 | NATURAL | 1a 2b 4a 6b | 01c d40 | 1/2 3/4 5/6 | | NONE | 91703-0003 | 91999-3484 | A | A | NONE |
| 91999-2771 | 91703-0002 | 93002-4030 | NATURAL | 1b 6b | d40 | 1/2 5/6 | | 2 & 5 | 91703-0003 | 91999-3483 | A | A | NONE |
| 91999-2772 | 91703-0002 | 93002-4016 | NATURAL | 1b 2a 3a 4b 5a 5b 6b | 01c d60 | 2/3 5/6 | | NONE | 91703-0003 | 91999-3482 | A | A | NONE |
| 91999-2773 | 91703-0017 | 93002-4000 | NATURAL | 1b | 03c d60 | 1/2 4/5 | | NONE | 91703-0018 | 91999-3481 | C | A | NONE |
| 91999-2774 | 91703-0017 | 93002-4017 | NATURAL | 1a 1b 2b 3b | d20 05c d60 | 1/2 3/4 5/6 | | NONE | 91703-0018 | 91999-3480 | C | A | NONE |
| 91999-2775 | 91703-0017 | 93002-4016 | NATURAL | 1b 2a 3a 4b 5a 5b 6b | 01c d60 | 2/3 5/6 | | NONE | 91703-0018 | 91999-3479 | C | A | NONE |
| 91999-2776 | 91703-0002 | 93002-4018 | NATURAL | ALL | ALL | 1/2 4/5 | | NONE | 91703-0003 | 91999-3478 | A | A | NONE |
| 91999-2777 | 91703-0002 | 93002-4019 | NATURAL | 1b | 03c d60 | 1/2 5/6 | | NONE | 91703-0003 | 91999-3477 | A | A | NONE |
| 91999-2778 | 91703-0002 | 93002-4020 | NATURAL | 1b 2b 3b | 01c 05c d60 | 1/2 3/4 5/6 | | NONE | 91703-0003 | 91999-3476 | A | A | NONE |

NOTES:
* SEE SHEET 1 NOTE 4

| | | | | | | | | | | | | | | | | | | | |
|-----------------------------------------------------------------------------------------------------------------------------------------------|--|---------------------|--|---------------------------------------------------------------------------------------------------------|--|---------------------------|--|-----------------------------------|--|------------------------------------------------------|--|-------------------------------------|--|--------------------------|--|-----------------|--|-----------------------|--|
| THIS DRAWING CONTAINS INFORMATION THAT IS PROPRIETARY TO MOLEX ELECTRONIC TECHNOLOGIES, LLC AND SHOULD NOT BE USED WITHOUT WRITTEN PERMISSION | | | | | | | | | | | | | | | | | | | |
| DIMENSION UNITS mm | | SCALE 1:1 | | CURRENT REV DESC: | | | | RAST 5 VERT HDR PA 66 HOUSING | | | | | | | | | | | |
| GENERAL TOLERANCES (UNLESS SPECIFIED) | | | | EC NO: 746008 DRWN: RAHULH3 2023/04/10 CHK'D: RAHULH3 2023/04/14 APPR: MRAMAKRISHNA 2023/04/14 | | | | | | | | | | | | | | | |
| ANGULAR TOL ± 2.0° | | | | INITIAL REVISION: | | | | PRODUCT CUSTOMER DRAWING | | | | | | | | | | | |
| 4 PLACES ± | | 3 PLACES ± | | 2 PLACES ± 0.1 | | 1 PLACE ± 0.2 | | 0 PLACES ± | | DRWN: AKABADI 2017/09/15 APPR: BRUTTLE 2017/11/10 | | DOCUMENT NUMBER 919990001 | | DOC TYPE PSD | | DOC PART 000 | | REVISION L4 | |
| DRAFT WHERE APPLICABLE MUST REMAIN WITHIN DIMENSIONS | | | | THIRD ANGLE PROJECTION | | DRAWING A1-SIZE | | SERIES 91999 | | MATERIAL NUMBER SEE SHEETS 2-18 | | CUSTOMER GENERAL MARKET | | SHEET NUMBER 13 OF 17 | | | | | |

6 CIRCUIT

SEE CODE DESIGNATION TABLE FOR NUMBERING
FORMAT WHEN ADDING NEW PART

| PART NO. (TIN) | TERM NO. (TIN) | MOLEX HOUSING NO. | COLOUR | UNBLOCKED POSITION KEYS | UNBLOCKED CODING KEYS | LATCH POSITION | CONFIGURATION (SEE NOTES) | TERMINAL VOID CKT | TERM NO. (SILVER) | PART NO. (SILVER) | P.C.B. POLARISATION OPTION | PACKAGING OPTION * | COLOUR STRIPE |
|-------------------|-------------------|----------------------|---------|----------------------------|--------------------------------|-------------------|------------------------------|----------------------|----------------------|----------------------|----------------------------------|-----------------------|------------------|
| 91999-2779 | 91703-0002 | 93002-4021 | NATURAL | ALL | ALL | 2/3 4/5 | | NONE | 91703-0003 | 91999-3475 | A | A | NONE |
| 91999-2780 | 91703-0002 | 93002-4023 | NATURAL | 1b 6a | 04c | 1/2 5/6 | | NONE | 91703-0003 | 91999-3474 | A | A | NONE |
| 91999-2781 | 91703-0017 | 93002-4000 | NATURAL | 1b | 03c d60 | 1/2 4/5 | | NONE | 91703-0018 | 91999-3473 | C | A | NONE |
| 91999-2782 | 91703-0002 | 93002-4022 | NATURAL | 1b 2a 2b 3a 3b 6a | ALL | 4/5 | | NONE | 91703-0003 | 91999-3472 | A | A | NONE |
| 91999-2783 | 91703-0002 | 93002-4025 | NATURAL | 1b 2a 3a 4b 5b 6a 6b | 01c d20 03c d60 | 1/2 3/4 5/6 | | NONE | 91703-0003 | 91999-3471 | A | A | NONE |
| 91999-2784 | 91703-0002 | 93002-4012 | NATURAL | 2b 6b | d40 | 1/2 5/6 | | NONE | 91703-0003 | 91999-3470 | A | A | NONE |
| 91999-2785 | 91703-0002 | 93002-4026 | NATURAL | 1a 1b 2a 2b 3a 3b 6a | 01c d10 02c d30 d50 06c | 4/5 | | NONE | 91703-0003 | 91999-3469 | A | A | NONE |
| 91999-2786 | 91703-0002 | 93002-4000 | NATURAL | 1b | 03c d60 | 1/2 4/5 | | 2 | 91703-0003 | 91999-3468 | A | A | NONE |
| 91999-2787 | 91703-0002 | 93002-4027 | NATURAL | 1a 1b 2a 2b 3a 3b 5b 6b | 01c d20 03c d30 04c 05c d60 | 1/2 5/6 | | NONE | 91703-0003 | 91999-3467 | A | A | NONE |
| 91999-2788 | 91703-0002 | 93002-4028 | NATURAL | 1b 5b 6a | d20 03c d40 05c | 1/2 3/4 5/6 | | NONE | 91703-0003 | 91999-3487 | A | A | NONE |
| 91999-2789 | 91703-0002 | 93002-4000 | NATURAL | 1b | 03c d60 | 1/2 4/5 | | NONE | 91703-0003 | 91999-3490 | B | A | NONE |

NOTES:
* SEE SHEET 1 NOTE 4

| | | | | | | | | | | | |
|-----------------------------------------------------------------------------------------------------------------------------------------------|--|-------------------------------------|--|---------------------------------------------------------------------------|--|----------------|--|-------------------------------------|--|--------------------------------------------------|--|
| THIS DRAWING CONTAINS INFORMATION THAT IS PROPRIETARY TO MOLEX ELECTRONIC TECHNOLOGIES, LLC AND SHOULD NOT BE USED WITHOUT WRITTEN PERMISSION | | | | | | | | | | | |
| DIMENSION UNITS mm | | SCALE 1:1 | | CURRENT REV DESC: | | | | RAST 5 VERT HDR PA 66 HOUSING | | | |
| GENERAL TOLERANCES (UNLESS SPECIFIED) | | | | EC NO: 746008 | | | | | | | |
| ANGULAR TOL ± 2.0° | | 4 PLACES ± | | 3 PLACES ± | | 2 PLACES ± 0.1 | | 1 PLACE ± 0.2 | | 0 PLACES ± | |
| DRAFT WHERE APPLICABLE MUST REMAIN WITHIN DIMENSIONS | | | | THIRD ANGLE PROJECTION | | DRAWING | | SERIES A1-SIZE 91999 | | MATERIAL NUMBER SEE SHEETS 2-18 | |
| DOCUMENT STATUS P1 | | RELEASE DATE 2023/04/14 14:04:31 | | INITIAL REVISION: DRWN: AKABADI 2017/09/15 APPR: BRUTTLE 2017/11/10 | | | | DOCUMENT NUMBER 919990001 | | DOC TYPE DOC PART REVISION PSD 000 L4 | |
| CUSTOMER GENERAL MARKET | | | | SHEET NUMBER 14 OF 17 | | | | | | | |

7 CIRCUIT

SEE CODE DESIGNATION TABLE FOR NUMBERING
FORMAT WHEN ADDING NEW PART NUMBE

| PART NO. (TIN) | TERM NO. (TIN) | MOLEX HOUSING NO. | COLOUR | UNBLOCKED POSITION KEYS | UNBLOCKED CODING KEYS | LATCH POSITION | CONFIGURATION (SEE NOTES) | TERMINAL VOID CKT | TERM NO. (SILVER) | PART NO. (SILVER) | P.C.B. POLARISATION OPTION | PACKAGING OPTION * | COLOUR STRIPE |
|-------------------|-------------------|----------------------|---------|----------------------------|----------------------------|-------------------|------------------------------|----------------------|----------------------|----------------------|----------------------------------|-----------------------|------------------|
| 91999-3511 | 91703-0002 | 93002-5000 | NATURAL | NONE | 03c d40 07c | 1/2 5/6 | | NONE | 91703-0003 | 91999-4249 | A | A | NONE |
| 91999-3512 | 91703-0002 | 93002-5001 | NATURAL | 3a 4a | d30 d70 | 1/2 5/6 | | NONE | 91703-0003 | 91999-4248 | A | A | NONE |
| 91999-3504 | 91703-0002 | 93002-5002 | NATURAL | 2b | d20 d60 | 1/2 5/6 | | NONE | 91703-0003 | 91999-4247 | A | A | NONE |
| 91999-3508 | 91703-0002 | 93002-5003 | NATURAL | 1a 1b 3a 4b 5a | 01c 07c | 1/2 3/4 5/6 | | NONE | 91703-0003 | 91999-4243 | A | A | NONE |
| 91999-3509 | 91703-0002 | 93002-5004 | NATURAL | 2a | 01c d50 | 2/3 4/5 | | NONE | 91703-0003 | 91999-4242 | A | A | NONE |
| 91999-3515 | 91703-0002 | 93002-5005 | NATURAL | 7b | 01c d40 d70 | 1/2 3/4 6/7 | | NONE | 91703-0003 | 91999-4240 | A | A | NONE |
| 91999-3516 | 91703-0002 | 93002-5006 | NATURAL | 1b | 03c d60 | 1/2 4/5 | | NONE | 91703-0003 | 91999-4239 | A | A | NONE |
| 91999-3517 | 91703-0002 | 93002-5007 | NATURAL | 1a 3a 4b 7b | 01c d20 03c 06c | 1/2 3/4 6/7 | | NONE | 91703-0003 | 91999-4238 | A | A | NONE |
| 91999-3519 | 91703-0002 | 93002-5008 | NATURAL | 1b 7a | 02c d50 | 2/3 6/7 | | NONE | 91703-0003 | 91999-4237 | A | A | NONE |
| 91999-3521 | 91703-0002 | 93002-5009 | NATURAL | 1a 2b 3a 4b 6a | d20 03c d40 d50 d70 | 1/2 3/4 6/7 | | NONE | 91703-0003 | 91999-4236 | A | A | NONE |
| 91999-3522 | 91703-0002 | 93002-5010 | NATURAL | 1b 6a | d20 03c d50 d70 | 1/2 3/4 6/7 | | NONE | 91703-0003 | 91999-4235 | A | A | NONE |
| 91999-3523 | 91703-0002 | 93002-5011 | NATURAL | 1b 2a 5a 5b 7b | d20 d50 06c d70 | 1/2 4/5 6/7 | | NONE | 91703-0003 | 91999-4234 | A | A | NONE |
| 91999-3524 | 91703-0002 | 93002-5012 | NATURAL | 2b | d20 07c | 1/2 3/4 5/6 | | NONE | 91703-0003 | 91999-4233 | A | A | NONE |
| 91999-3525 | 91703-0002 | 93002-5013 | NATURAL | 2a 2b 4b 5b 6a | d20 03c d40 d60 | 1/2 3/4 5/6 | | NONE | 91703-0003 | 91999-4232 | A | A | NONE |
| 91999-3526 | 91703-0002 | 93002-5014 | NATURAL | 2b 4a 4b 5b 6a | 01c d20 d40 d60 | 1/2 3/4 5/6 | | NONE | 91703-0003 | 91999-4231 | A | A | NONE |
| 91999-3527 | 91703-0002 | 93002-5015 | NATURAL | 1b 2a 3a 5b 6a 6b 7b | 01c d70 | 2/3 6/7 | | NONE | 91703-0003 | 91999-4230 | A | A | NONE |
| 91999-3528 | 91703-0002 | 93002-5016 | NATURAL | ALL | ALL | 1/2 5/6 | | NONE | 91703-0003 | 91999-4229 | A | A | NONE |
| 91999-3529 | 91703-0002 | 93002-5017 | NATURAL | 2a 3b 4b 5a 6a 6b 7a | 01c d30 04c 06c d60 d70 | 1/2 4/5 | | NONE | 91703-0003 | 91999-4228 | A | A | NONE |
| 91999-3530 | 91703-0002 | 93002-5018 | NATURAL | NONE | 04c 07c | 1/2 5/6 | | NONE | 91703-0003 | 91999-4227 | A | A | NONE |
| 91999-3531 | 91703-0017 | 93002-5000 | NATURAL | NONE | 03c d40 07c | 1/2 5/6 | | NONE | 91703-0018 | 91999-4226 | C | A | NONE |

NOTES:

* SEE SHEET 1 NOTE 4

THIS DRAWING CONTAINS INFORMATION THAT IS PROPRIETARY TO MOLEX ELECTRONIC TECHNOLOGIES, LLC AND SHOULD NOT BE USED WITHOUT WRITTEN PERMISSION

| | | | | | |
|------------------------------------------------------------|---------------------|---------------------------------------------------------------------------------------------------------|------------------------------------------------------|------------------------------------|------------------------------------------------|
| DIMENSION UNITS mm | SCALE 1:1 | CURRENT REV DESC: | molex | | |
| GENERAL TOLERANCES (UNLESS SPECIFIED) | | | | | |
| ANGULAR TOL ± 2.0° | 4 PLACES ± | EC NO: 746008 DRWN: RAHULH3 2023/04/10 CHK'D: RAHULH3 2023/04/14 APPR: MRAMAKRISHNA 2023/04/14 | RAST 5 VERT HDR PA 66 HOUSING | | |
| 3 PLACES ± | 2 PLACES ± 0.1 | | PRODUCT CUSTOMER DRAWING | | |
| 1 PLACE ± 0.2 | 0 PLACES ± | | INITIAL REVISION: | | DOCUMENT NUMBER |
| DRAFT WHERE APPLICABLE MUST REMAIN WITHIN DIMENSIONS | | | DRWN: AKABADI 2017/09/15 APPR: BRUTTLE 2017/11/10 | | DOC TYPE: PSD DOC PART: 000 REVISION: L4 |
| THIRD ANGLE PROJECTION | | DRAWING A1-SIZE | SERIES 91999 | MATERIAL NUMBER SEE SHEETS 2-18 | CUSTOMER GENERAL MARKET |
| | | | | SHEET NUMBER 15 OF 17 | |

7 CIRCUIT

SEE CODE DESIGNATION TABLE FOR NUMBERING
FORMAT WHEN ADDING NEW PART NUMBE

| PART NO. (TIN) | TERM NO. (TIN) | MOLEX HOUSING NO. | COLOUR | UNBLOCKED POSITION KEYS | UNBLOCKED CODING KEYS | LATCH POSITION | CONFIGURATION (SEE NOTES) | TERMINAL VOID CKT | TERM NO. (SILVER) | PART NO. (SILVER) | P.C.B. POLARISATION OPTION | PACKAGING OPTION * | COLOUR STRIPE |
|-------------------|-------------------|----------------------|---------|----------------------------|----------------------------|--------------------|------------------------------|----------------------|----------------------|----------------------|----------------------------------|-----------------------|------------------|
| 91999-3532 | 91703-0002 | 93002-5021 | NATURAL | 5b | d30 d70 | 1/2 6/7 | | NONE | 91703-0003 | 91999-4225 | A | A | NONE |
| 91999-3533 | 91703-0002 | 93002-5022 | NATURAL | 1a 1b 2b 3a 4b 6a | d10 d30 04c d40 d50 d70 | 2/3 6/7 | | NONE | 91703-0003 | 91999-4224 | A | A | NONE |
| 91999-3534 | 91703-0002 | 93002-5023 | NATURAL | 1b 2b 3a 4a 7b | d20 03c d70 | 1/2 3/4 4/5 6/7 | | NONE | 91703-0003 | 91999-4223 | A | A | NONE |
| 91999-3535 | 91703-0002 | 93002-5021 | NATURAL | 5b | d30 d70 | 1/2 6/7 | | 2, 4 & 6 | 91703-0003 | 91999-4222 | A | A | NONE |
| 91999-3536 | 91703-0002 | 93002-5001 | NATURAL | 3a 4a | d30 d70 | 1/2 5/6 | | NONE | 91703-0003 | 91999-4221 | A | A | NONE |
| 91999-3537 | 91703-0002 | 93002-5021 | NATURAL | 5b | d30 d70 | 1/2 6/7 | | 2, 4 & 6 | 91703-0003 | 91999-4220 | B | A | NONE |
| 91999-3538 | 91703-0002 | 93002-5001 | NATURAL | 3a 4a | d30 d70 | 1/2 5/6 | | 2, 4 & 6 | 91703-0003 | 91999-4219 | B | A | NONE |
| 91999-3539 | 91703-0002 | 93002-5000 | NATURAL | NONE | 03c d40 07c | 1/2 5/6 | | NONE | 91703-0003 | 91999-4218 | B | A | NONE |
| 91999-3540 | 91703-0002 | 93002-5025 | NATURAL | 5b | d30 d70 | 2/3 5/6 | | 2, 4 & 6 | 91703-0003 | 91999-4217 | B | A | NONE |

NOTES:

* SEE SHEET 1 NOTE 4

| | | | | | | | | | | |
|-----------------------------------------------------------------------------------------------------------------------------------------------|------------------------|-------------------------------|--------|---------------|--|--|----------------------------------------------------------------------------------------|--|--|--|
| THIS DRAWING CONTAINS INFORMATION THAT IS PROPRIETARY TO MOLEX ELECTRONIC TECHNOLOGIES, LLC AND SHOULD NOT BE USED WITHOUT WRITTEN PERMISSION | | | | | | | | | | |
| DIMENSION UNITS | SCALE | CURRENT REV DESC: | | | | | | | | |
| mm | 1:1 | | | | | | | | | |
| GENERAL TOLERANCES (UNLESS SPECIFIED) | | EC NO: 746008 | | | | | RAST 5 VERT HDR PA 66 HOUSING | | | |
| ANGULAR TOL | ± 2.0° | DRWN: RAHULH3 2023/04/10 | | | | | | | | |
| 4 PLACES | ± | CHK'D: RAHULH3 2023/04/14 | | | | | PRODUCT CUSTOMER DRAWING | | | |
| 3 PLACES | ± | APPR: MRAMAKRISHNA 2023/04/14 | | | | | | | | |
| 2 PLACES | ± 0.1 | INITIAL REVISION: | | | | | DOCUMENT NUMBER: 919990001 DOC TYPE: PSD DOC PART: 000 REVISION: L4 | | | |
| 1 PLACE | ± 0.2 | DRWN: AKABADI 2017/09/15 | | | | | | | | |
| 0 PLACES | ± | APPR: BRUTTLE 2017/11/10 | | | | | MATERIAL NUMBER: SEE SHEETS 2-18 CUSTOMER: GENERAL MARKET SHEET NUMBER: 16 OF 17 | | | |
| DRAFT WHERE APPLICABLE MUST REMAIN WITHIN DIMENSIONS | THIRD ANGLE PROJECTION | DRAWING | SERIES | A1-SIZE 91999 | | | | | | |

8 CIRCUIT

SEE CODE DESIGNATION TABLE FOR NUMBERING
FORMAT WHEN ADDING NEW PART NUMBE

| PART NO. (TIN) | TERM NO. (TIN) | MOLEX HOUSING NO. | COLOUR | UNBLOCKED POSITION KEYS | UNBLOCKED CODING KEYS | LATCH POSITION | CONFIGURATION (SEE NOTES) | TERMINAL VOID CKT | TERM NO. (SILVER) | PART NO. (SILVER) | P.C.B. POLARISATION OPTION | PACKAGING OPTION * | COLOUR STRIPE |
|-------------------|-------------------|----------------------|---------|-------------------------------|-------------------------------------------------------|--------------------|------------------------------|----------------------|----------------------|----------------------|----------------------------------|-----------------------|------------------|
| 91999-4250 | 91703-0002 | 93002-6010 | NATURAL | 8b | 01c d10 04c d40 05c d50 06c d60 07c d70 08c d80 | 2/3 | | NONE | 91703-0003 | 91999-4999 | A | A | NONE |
| 91999-4251 | 91703-0002 | 93002-6011 | NATURAL | 1a 4b 5a 6b 7b 8a | d40 d60 07c d80 | 1/2 3/4 5/6 7/8 | | NONE | 91703-0003 | 91999-4998 | A | A | NONE |
| 91999-4252 | 91703-0002 | 93002-6012 | NATURAL | ALL | d20 03c d60 07c | 1/2 7/8 | | 2, 4 & 6 | 91703-0003 | 91999-4997 | A | A | NONE |
| 91999-4253 | 91703-0002 | 93002-6013 | NATURAL | 1a 2a 3a 4b 5a 5b 6b 7b 8b | 01c 03c d60 07c | 1/2 3/4 5/6 7/8 | | NONE | 91703-0003 | 91999-4996 | A | A | NONE |
| 91999-4254 | 91703-0002 | 93002-6012 | NATURAL | ALL | d20 03c d60 07c | 1/2 7/8 | | NONE | 91703-0003 | 91999-4995 | A | A | NONE |

NOTES:

* SEE SHEET 1 NOTE 4

| | | | | | | | | | | | | | | | |
|-----------------------------------------------------------------------------------------------------------------------------------------------|--|--------|--|--------------------------------------------------------------------------------------------------------------------------------------------------------------------------------------|--|---------|--|--------------------------|--|----------------|--|--------------|--|----------|--|
| THIS DRAWING CONTAINS INFORMATION THAT IS PROPRIETARY TO MOLEX ELECTRONIC TECHNOLOGIES, LLC AND SHOULD NOT BE USED WITHOUT WRITTEN PERMISSION | | | | | | | | | | | | | | | |
| DIMENSION UNITS | | SCALE | | CURRENT REV DESC: | | | | | | | | | | | |
| mm | | 1:1 | | | | | | | | | | | | | |
| GENERAL TOLERANCES (UNLESS SPECIFIED) | | | | EC NO: 746008 DRWN: RAHULH3 2023/04/10 CHK'D: RAHULH3 2023/04/14 APPR: MRAMAKRISHNA 2023/04/14 INITIAL REVISION: DRWN: AKABADI 2017/09/15 APPR: BRUTTLE 2017/11/10 | | | | PRODUCT CUSTOMER DRAWING | | | | | | | |
| ANGULAR TOL | | ± 2.0° | | | | | | DOCUMENT NUMBER | | DOC TYPE | | DOC PART | | REVISION | |
| 4 PLACES | | ± | | | | | | 919990001 | | PSD | | 000 | | L4 | |
| 3 PLACES | | ± | | | | | | MATERIAL NUMBER | | CUSTOMER | | SHEET NUMBER | | | |
| 2 PLACES | | ± 0.1 | | | | | | SEE SHEETS 2-18 | | GENERAL MARKET | | 17 OF 17 | | | |
| 1 PLACE | | ± 0.2 | | | | | | | | | | | | | |
| 0 PLACES | | ± | | | | | | | | | | | | | |
| DRAFT WHERE APPLICABLE MUST REMAIN WITHIN DIMENSIONS | | | | THIRD ANGLE PROJECTION | | DRAWING | | SERIES | | | | | | | |
| | | | | | | A1-SIZE | | 91999 | | | | | | | |