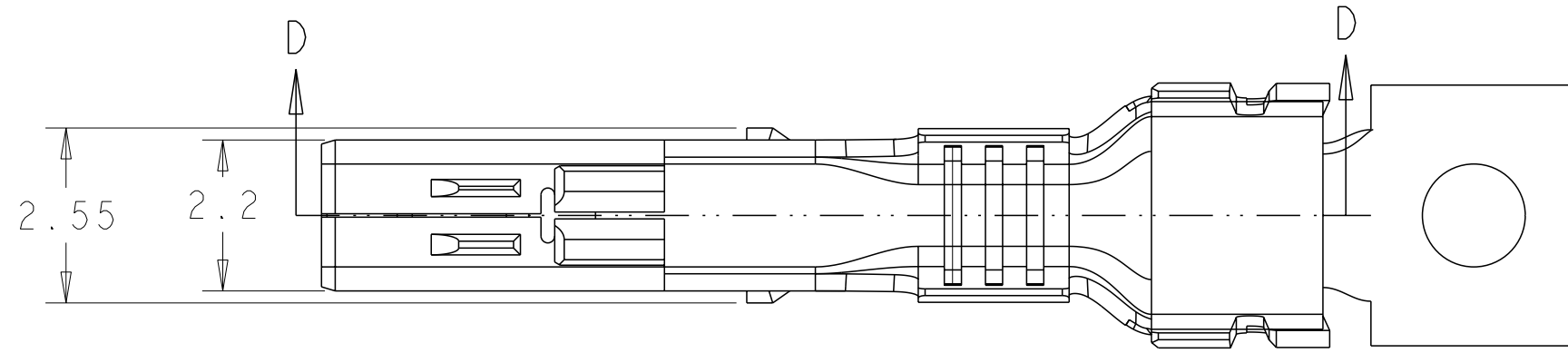
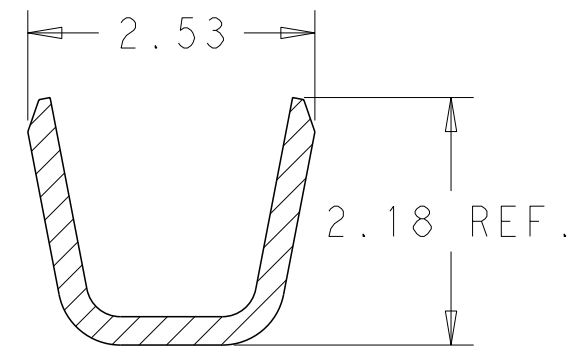
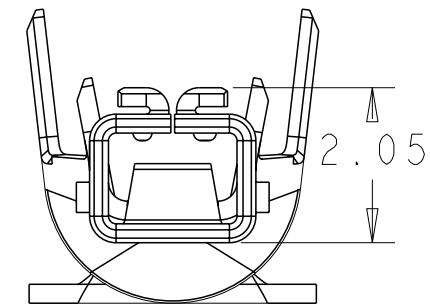
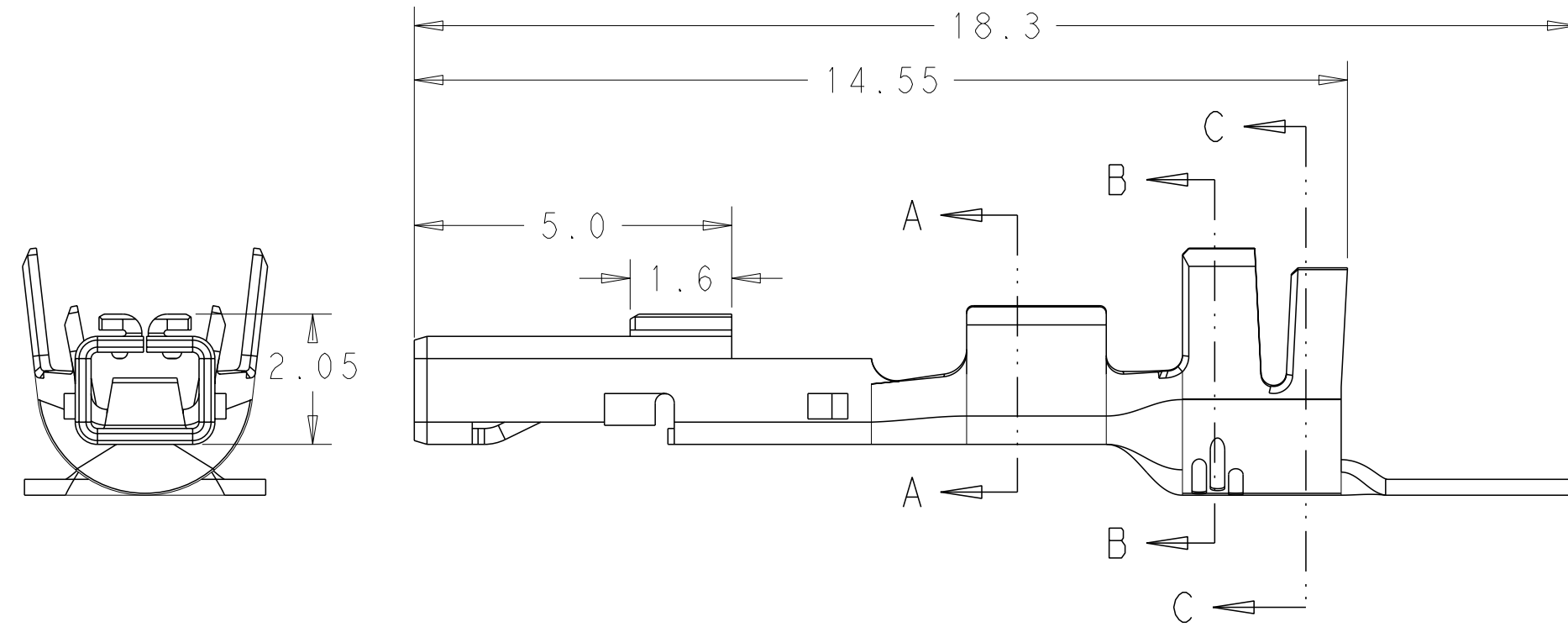


THIS DRAWING IS UNPUBLISHED. RELEASED FOR PUBLICATION
 © COPYRIGHT copyright.d8te ALL RIGHTS RESERVED.

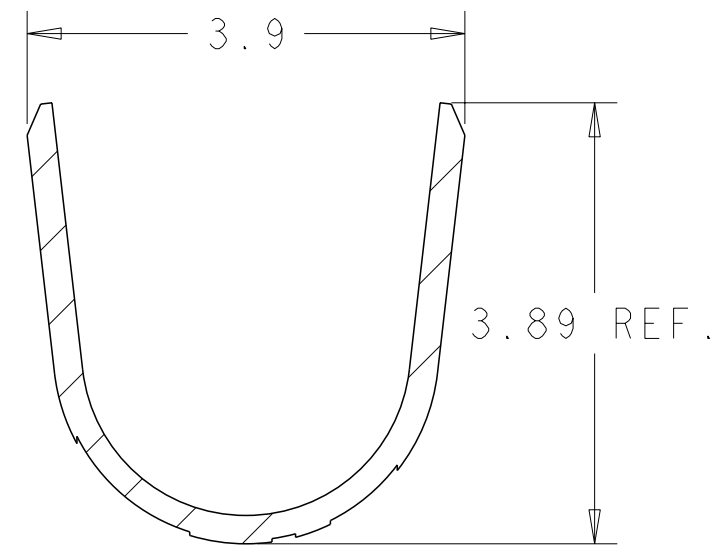
REVISIONS				
P	LTR	DESCRIPTION	DATE	APVD
A		FIRST RELEASE	24FEB2018	N.L D.Z
B		REVISED PER ECR-19-018628	29NOV2019	M.G D.Z
C		REVISED PER ECO-20-001134	18FEB2020	M.G D.Z
C1		REVISED PER ECR-20-100273	10AUG2020	M.G D.Z



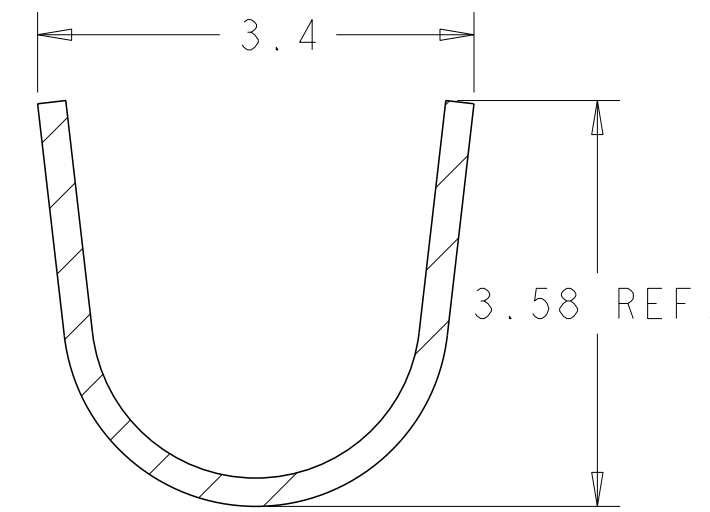
1. MATERIAL: COPPER ALLOY, PRE-TIN.
2. WIRE RANGE: 0.51-0.81mm² [20-18AWG] STRANDED.
3. INSULATION RANGE: 1.75~2.5.



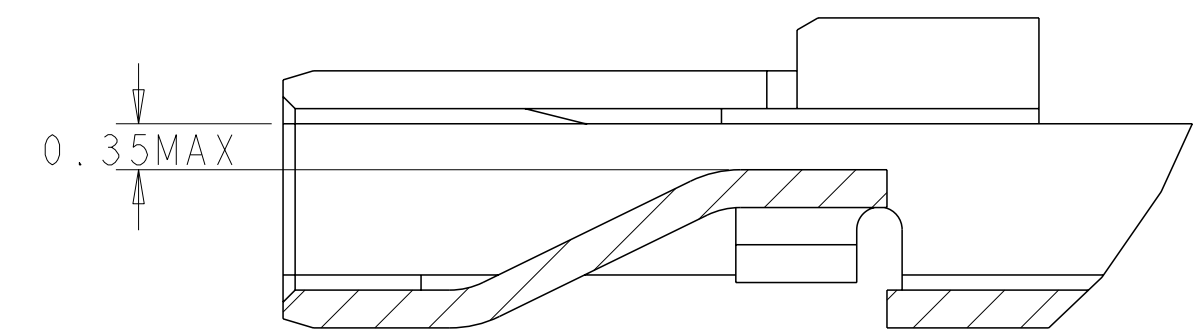
SECTION A-A
SCALE 15:1



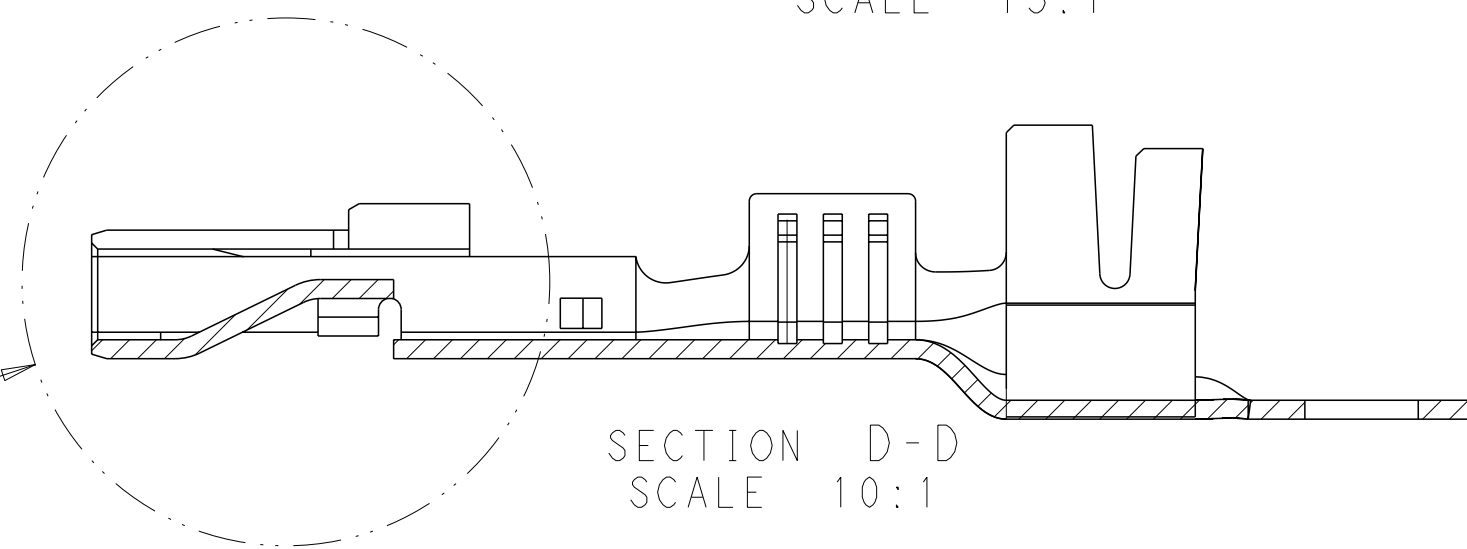
SECTION B-B
SCALE 15:1



SECTION C-C
SCALE 15:1



DETAIL A
SCALE 20:1



SECTION D-D
SCALE 10:1

SEE DETAIL A

LUBRICANT	1-2323832-1
	2323832-1
FINISH	PART NUMBER

STE TE Connectivity

THIS DRAWING IS A CONTROLLED DOCUMENT.		DWN	8SEP2017	NAME	PDL REC TERMINAL
DIMENSIONS:		CHK	8SEP2017		
mm		APVD	8SEP2017		
TOLERANCES UNLESS OTHERWISE SPECIFIED:		PRODUCT SPEC	108-5410		
0 PLC ±0.50		APPLICATION SPEC	114-5175	SIZE	A2
1 PLC ±0.40		WEIGHT	-	CAGE CODE	-
2 PLC ±0.30		CUSTOMER DRAWING		DRAWING NO	C-2323832
3 PLC ±		SCALE	5:1	SHEET	1 OF 1
4 PLC ±		RESTRICTED TO		REV	C1
ANGLES ±3°					
FINISH					