



## 10 Watt F-Series Adapter Supports Interchangeable AC Clips Adapter Meets Level VI Efficiency Requirements



### Features

- Folding Blades
- Constant Current for Battery Charging
- 15mm Thick with Blades Folded
- Interchangeable AC Clips
- Level VI Efficiency Compliant
- No load power draw <0.15W

### Applications

- Tablets
- Networking Equipment
- Personal Electronics
- Peripherals

### Safety Approvals

- cUL/UL
- RCM
- CCC<sup>3</sup>
- CE
- SAA

### Mechanical Characteristics

- Length: 60mm (2.36in)
- Width: 47mm (1.85in)
- Height: 15.0mm (0.59in)
- Weight: 38.5g (1.36oz)

### Output Specifications

Model	DC Output Voltage			Load		Efficiency Level
	Min.	Typ.	Max.	Min.	Max.	
PSA10F-050Q	4.75V	5V	5.25V	0A	2A	VI
PSA10F-050Q(D) <sup>1</sup>	4.75V	5V	5.25V	0A	2A	VI
PSA10F-050Q(S) <sup>2</sup>	4.75V	5V	5.25V	0A	2A	VI
PSA10FC-050Q	4.75V	5V	5.25V	0A	2A	VI

Notes (1): D model output to compensate for DC drops in the USB cable by 400mV at full load

Notes (2): S model output to compensate for DC drops in the USB cable by 400mV and has termination resistors suitable for Apple products\* \*Apple is a trademark of Apple Corporation

Notes (3): CCC safety approval only in China model PSA10FC-050Q

Phihong is not responsible for any error, and reserves the right to make changes without notice. Please visit our website at [www.phihong.com](http://www.phihong.com) for the most up-to-date specifications and contact information.

**INPUT:**

**AC Input Voltage Range**  
90 to 264V AC

**AC Input Voltage Rating**  
100 to 240V AC

**AC Input Frequency**  
47 to 63Hz

**AC Input Current**  
0.3A RMS maximum at 120V AC  
0.15A RMS maximum at 240V AC

**Leakage Current**  
100uA maximum at 240V AC

**Inrush Current**  
60A at 240V AC

**OUTPUT:**  
**Output Power**  
10W Continuous

**Efficiency**  
DOE Level VI  
EU CoC Ver 5 Tier 1

**Standby Power**  
<150mW at 230VAC

**Ripple and Noise**  
100mVp-p at 0A-1A load  
200mVp-p at 1A-2A load

**Current Limit**  
2.5A when less than 3V (auto-restart)

**ENVIRONMENTAL:**

**Temperature**  
Operating 0 to 40C  
Non-operating -40 to +85C  
Humidity 10 to 90%

**EMI**

FCC Class B, EN55022 Class B

**Immunity**

ESD:	EN61000-4-2	Level 3
Radiated:	EN61000-4-3	Level 2
EFT:	EN61000-4-4	Level 2
Surge:	EN61000-4-5	Level 3
C/T:	EN61000-4-6	Level 2
PFMT:	EN61000-4-8	
VDT:	EN61000-4-11	
Harmonic:	EN61000-3-2	Class A
Flicker:	EN61000-3-3	

**Dielectric Withstand (HI-POT) Test**

Primary to secondary: 3000V AC, 10mA, 60 seconds

**Insulation Resistance**

Primary to secondary: 500V >7M OHM

**FEATURES:**

**Over Voltage Protection**  
Auto-restart 6.3V maximum

**Short Circuit Protection**  
Must withstand continuous short circuit

**Over Temperature Protection**  
Auto shutdown without fault

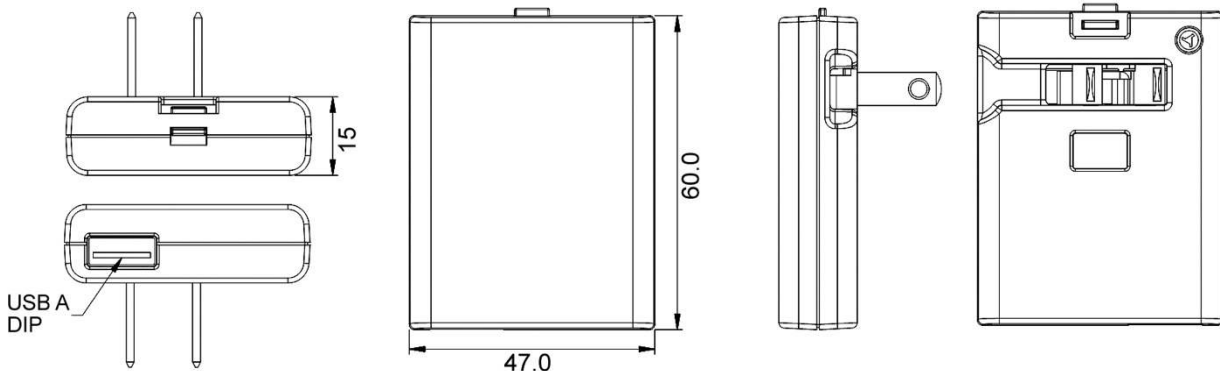
**DC Output**  
USB A

**AC Input**  
US Fixed Blade folding prong  
\*China Fixed Blade folding prong for PSA10FC-050Q

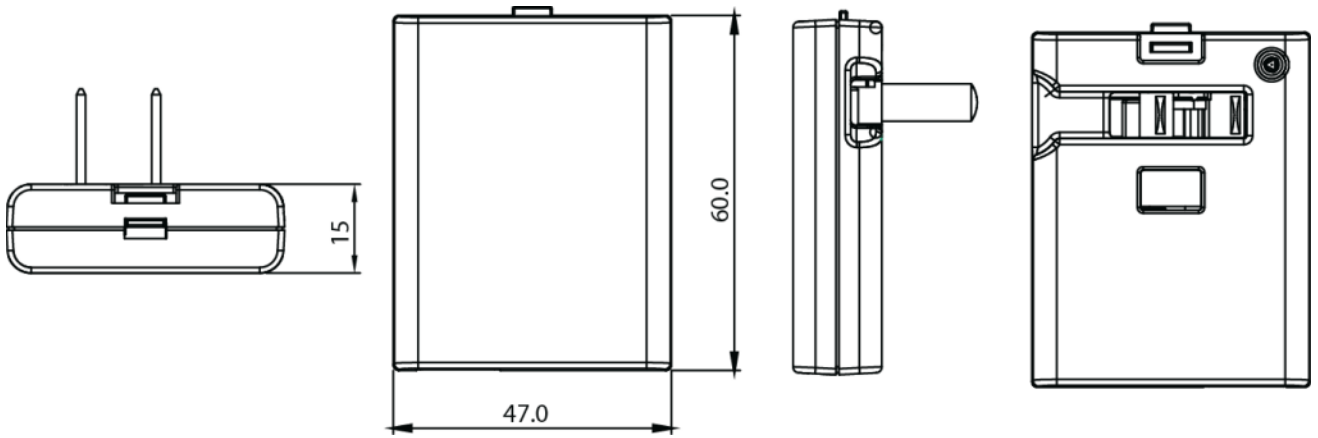
**Interchangeable AC Clips (fit over US prongs)**

FPBAG-H (FPE, FPK, FPS)  
FPB: Brazil FPI: India  
FPC: China FPK: UK  
FPE: Europe FPN: Argentina  
FPH: Korea FPS: Australia  
(Sold Separately)

**Dimension Diagram Unit: mm**



**\*PSA10FC-050Q – Dimension Units:mm**



[Type text]