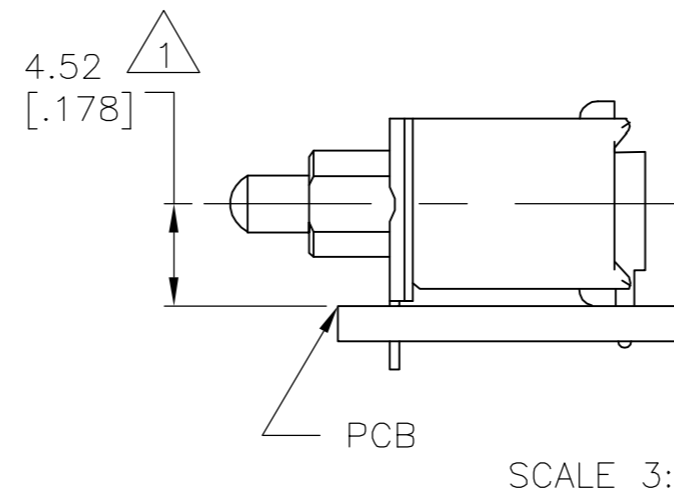
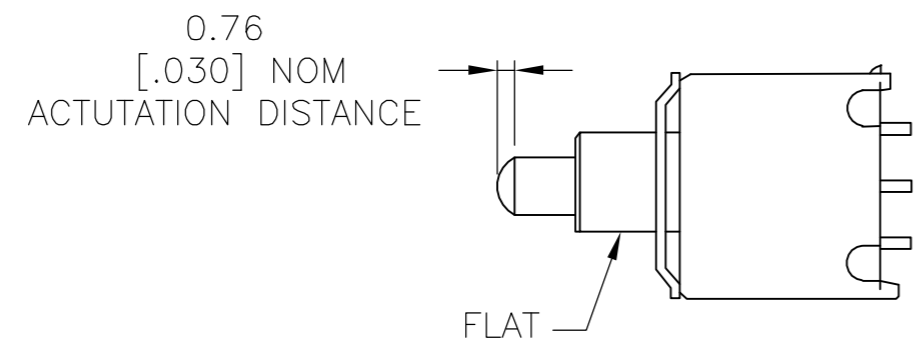


THIS DRAWING IS UNPUBLISHED. RELEASED FOR PUBLICATION
 © COPYRIGHT BY TYCO ELECTRONICS CORPORATION. ALL RIGHTS RESERVED.

LOC		DIST		REVISIONS			
P	LTR	DATE	DWN	APVD			
AD	OO						
A		ECO-06-000585	09AUG06	BSV	MZ		



SPECIFICATIONS:

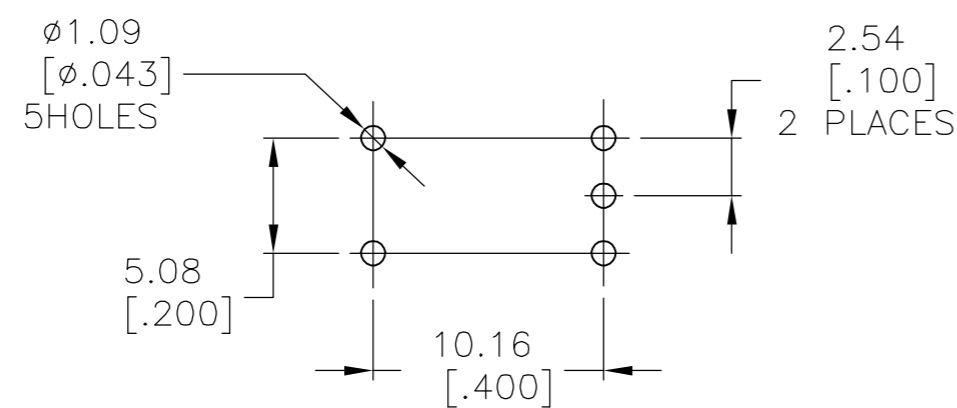
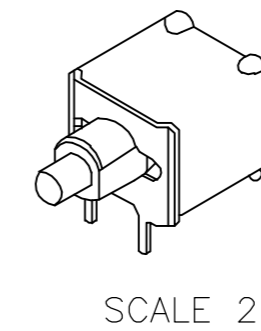
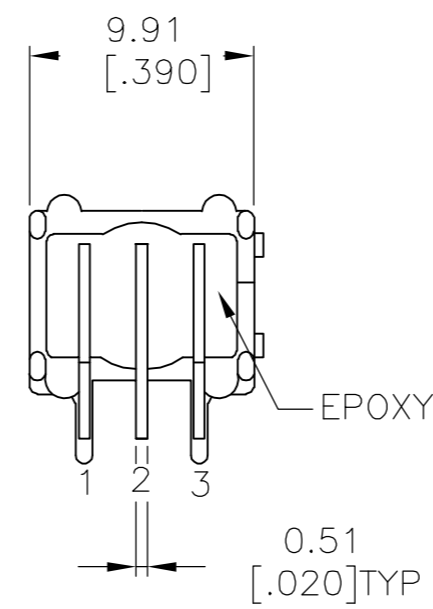
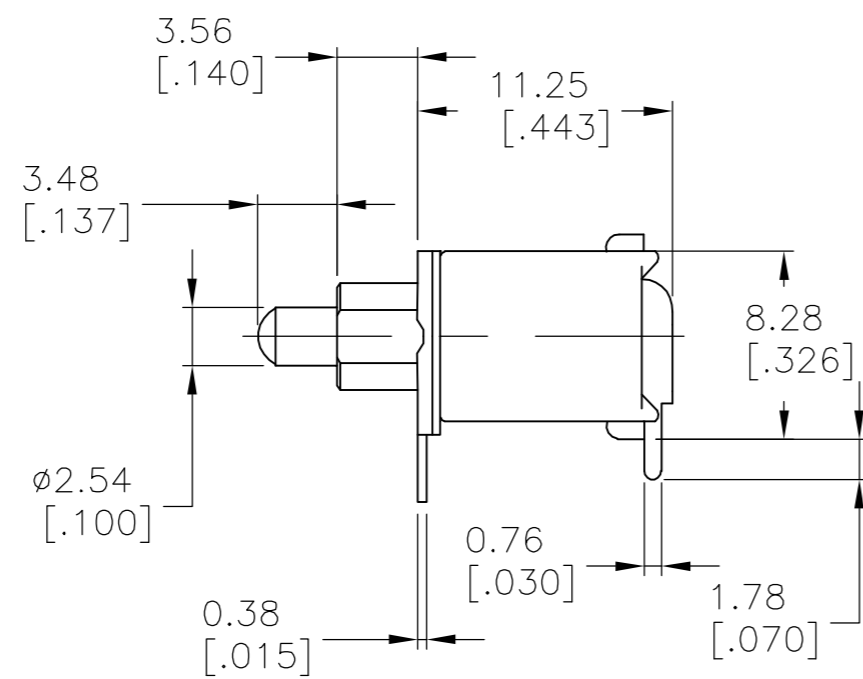
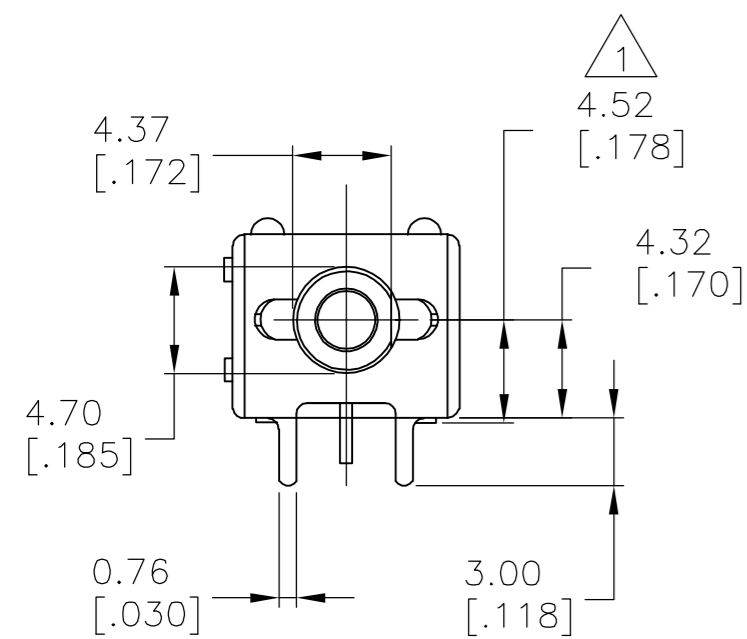
CURRENT RATING-0.4VA MAX., 20V MAX. (AC/DC).

INITIAL CONTACT RESISTANCE-20MILLIOHMS MAX.
 @100mV & 1mA.

VOLTAGE WITHSTANDING-1000VAC BETWEEN
 TREMINALS I & CASE GROUND FOR 1 MINUTE.

NOTES

△ ACTUAL DISTANCE OF CL FROM PCB WHEN MOUNTED.



PCB HOLE LAYOUT
 SCALE 5:1

(*)	BUTTON COLORS AVAILABLE
(0)	BLACK
(2)	RED
(6)	BLUE

NO CENTER TERMINAL ON "C" FUNCTION SWITCH

TPB11FG-RA-ES**	2-1	2-3(MOM)
TPB11CGRA-ES**	OFF	3-1(MOM)

SWITCH MODEL	FLAT	FLAT

TERMINAL CONNECTED WITH BUTTON
 IN POSITION SHOWN.

NOTE:TERMINAL DESIGNATION NUMBERS
 ARE FOR REFERENCE ONLY AND DO
 NOT APPEAR ON SWITCHES.

THIS DRAWING IS A CONTROLLED DOCUMENT.		DWN	V.J.NARTINI	05DEC80	tyco Electronics	Tyco Electronics Corporation	
DIMENSIONS: mm [INCHES]		CHK	R.D	08DEC80		Harrisburg, Pa 17105-3608	
TOLERANCES UNLESS OTHERWISE SPECIFIED:		APVD	-	-	NAME		PUSHBUTTON SWITCH (TPB11 *G-RA-ES*)
0 PLC ± -		PRODUCT SPEC	-	-	SIZE	CAGE CODE	
1 PLC ± -		APPLICATION SPEC	-	-	A2	00779	C=6-1437571-2
2 PLC ± -		WEIGHT	-	-	SCALE	3:1	SHEET 1 OF 1
3 PLC ± .01		CUSTOMER DRAWING	-	-	REV	A	
4 PLC ± -							
ANGLES ± 1°							
FINISH							

6-1437571-2

A