

SAW Filter 782.0MHz
Part No: MP05569

Model: TA1605A
Rev No: 2

A. MAXIMUM RATING:

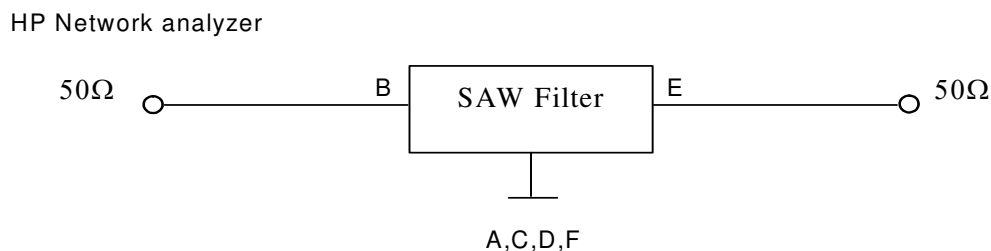
Electrostatic Sensitive Device (ESD)

1. Input Power Level: +25dBm
2. DC Voltage: 3V
3. Operating Temperature: -40°C to +85°C
4. Storage Temperature: -40°C to +85°C

B. ELECTRICAL CHARACTERISTICS:

Item	Unit	Min.	Typ.	Max.
Center Frequency Fc	MHz	-	782	-
Insertion loss (777 ~ 787MHz) IL	dB	-	2.2	3
Bandwidth	MHz	10	25	-
Amplitude Ripple (777 ~ 787MHz)	dB	-	0.35	1
Attenuation (Reference level from 0dB)				
300 ~ 700MHz	dB	28	61	-
728 ~ 757MHz	dB	10	48	-
880 ~ 1050MHz	dB	28	61	-
Temperature Coefficient of Frequency	ppm/°C	-	-36	-

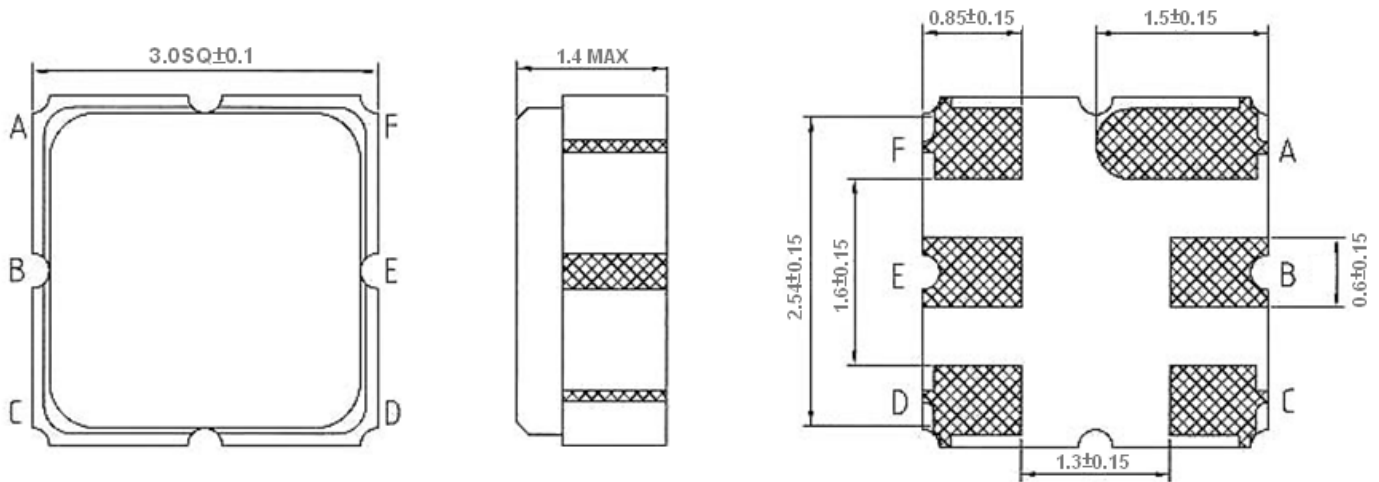
C. MEASUREMENT CIRCUIT:



SAW Filter 782.0MHz
Part No: MP05569

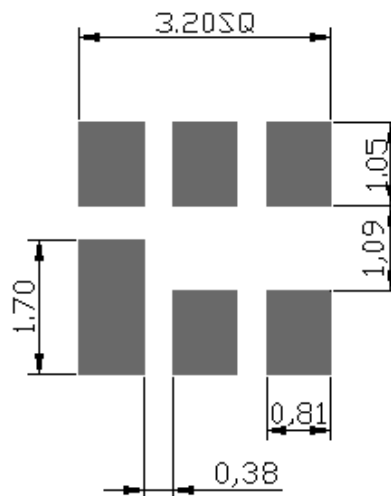
Model: TA1605A
Rev No: 2

D. OUTLINE DRAWING:



B: Input
E: Output
A, C, D, F: Ground
Unit: mm

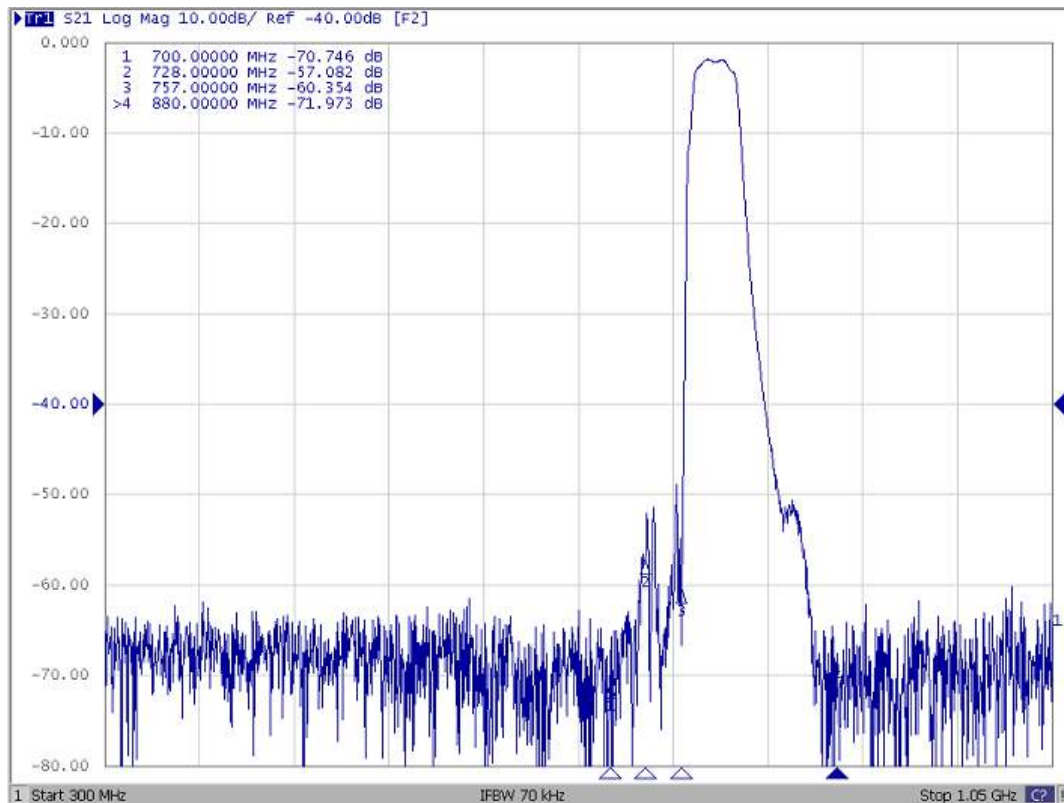
E. PCB FOOTPRINT:



SAW Filter 782.0MHz
Part No: MP05569

Model: TA1605A
Rev No: 2

F. FREQUENCY CHARACTERISTICS:

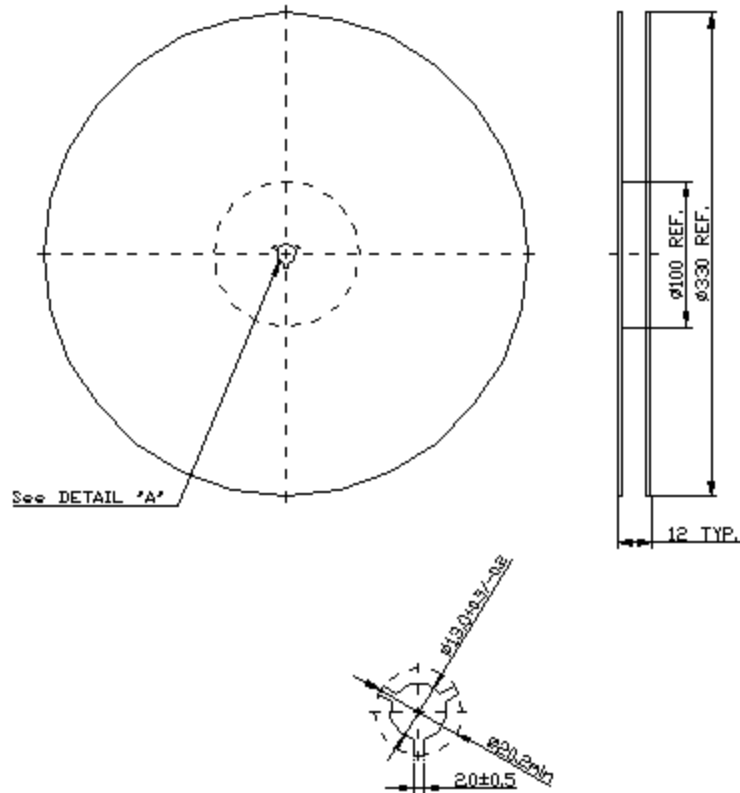


SAW Filter 782.0MHz
Part No: MP05569

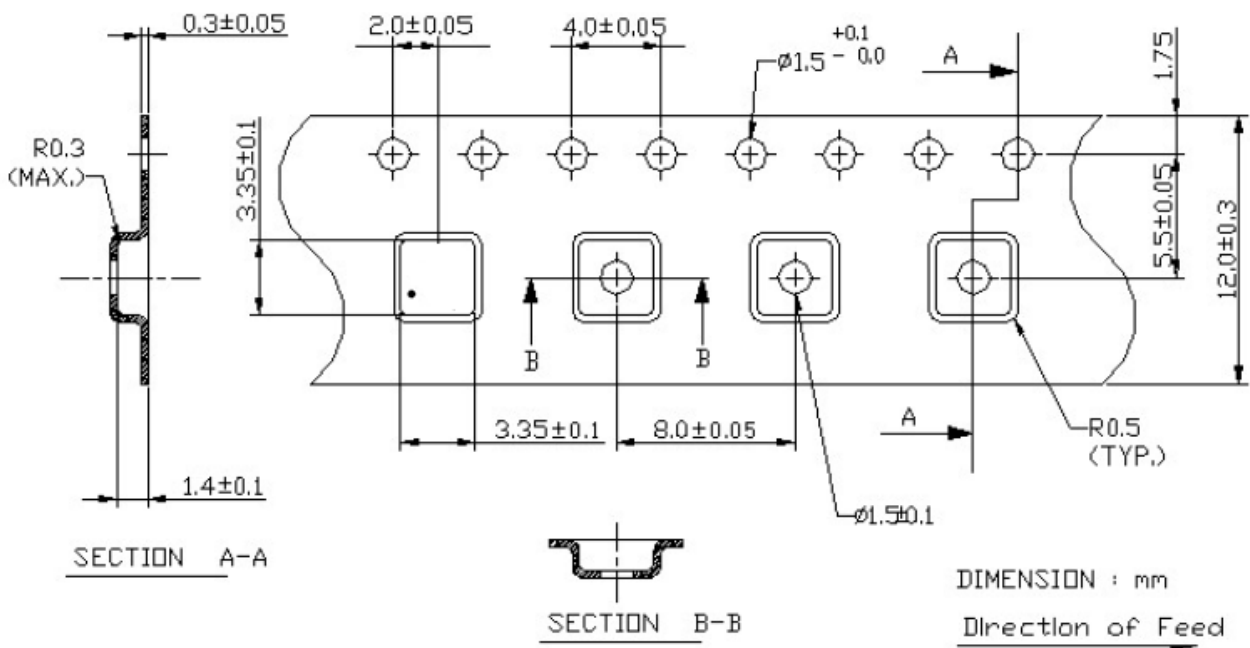
Model: TA1605A
Rev No: 2

G. PACKING:

1. Reel Dimension (Please refer to FR-75D10 for packing quantity)



2. Tape Dimension



SAW Filter 782.0MHz
Part No: MP05569

Model: TA1605A
Rev No: 2

H. RECOMMENDED REFLOW PROFILE:

